



Chipsmall Limited consists of a professional team with an average of over 10 year of expertise in the distribution of electronic components. Based in Hongkong, we have already established firm and mutual-benefit business relationships with customers from,Europe,America and south Asia,supplying obsolete and hard-to-find components to meet their specific needs.

With the principle of “Quality Parts,Customers Priority,Honest Operation,and Considerate Service”,our business mainly focus on the distribution of electronic components. Line cards we deal with include Microchip,ALPS,ROHM,Xilinx,Pulse,ON,Everlight and Freescale. Main products comprise IC,Modules,Potentiometer,IC Socket,Relay,Connector.Our parts cover such applications as commercial,industrial, and automotives areas.

We are looking forward to setting up business relationship with you and hope to provide you with the best service and solution. Let us make a better world for our industry!



Contact us

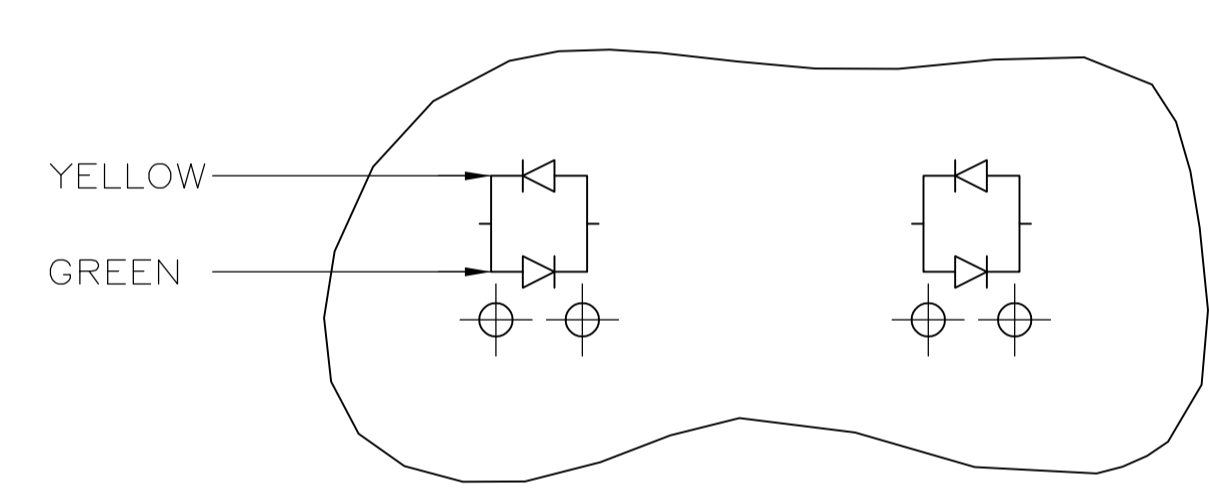
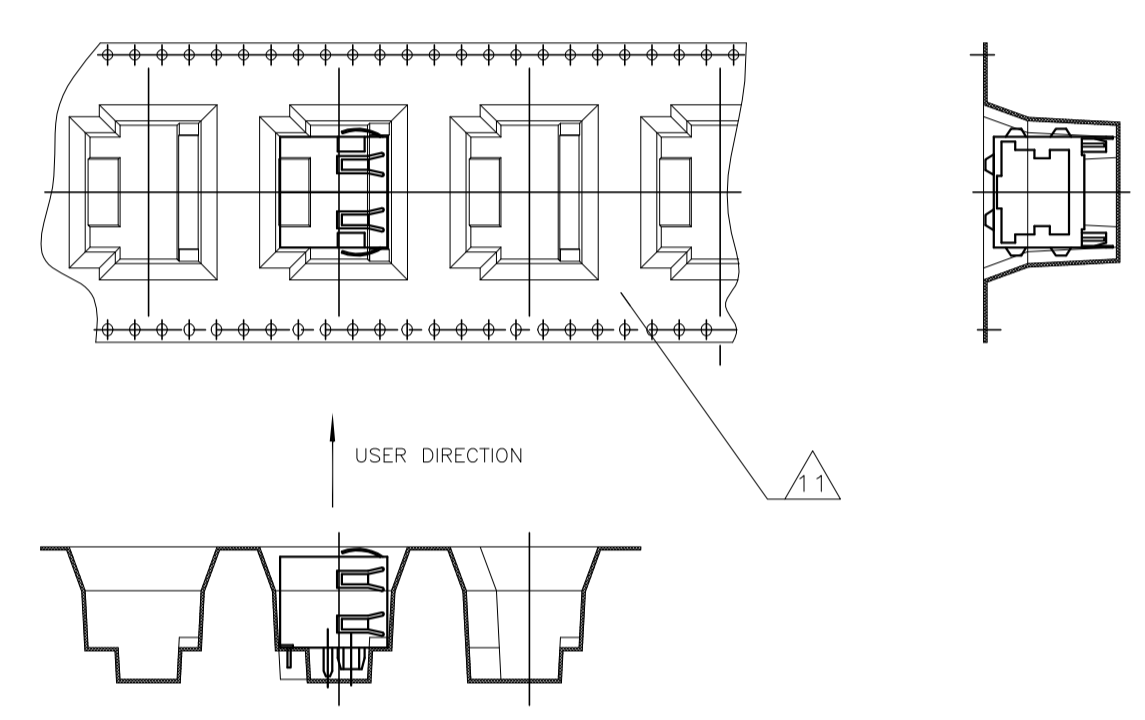
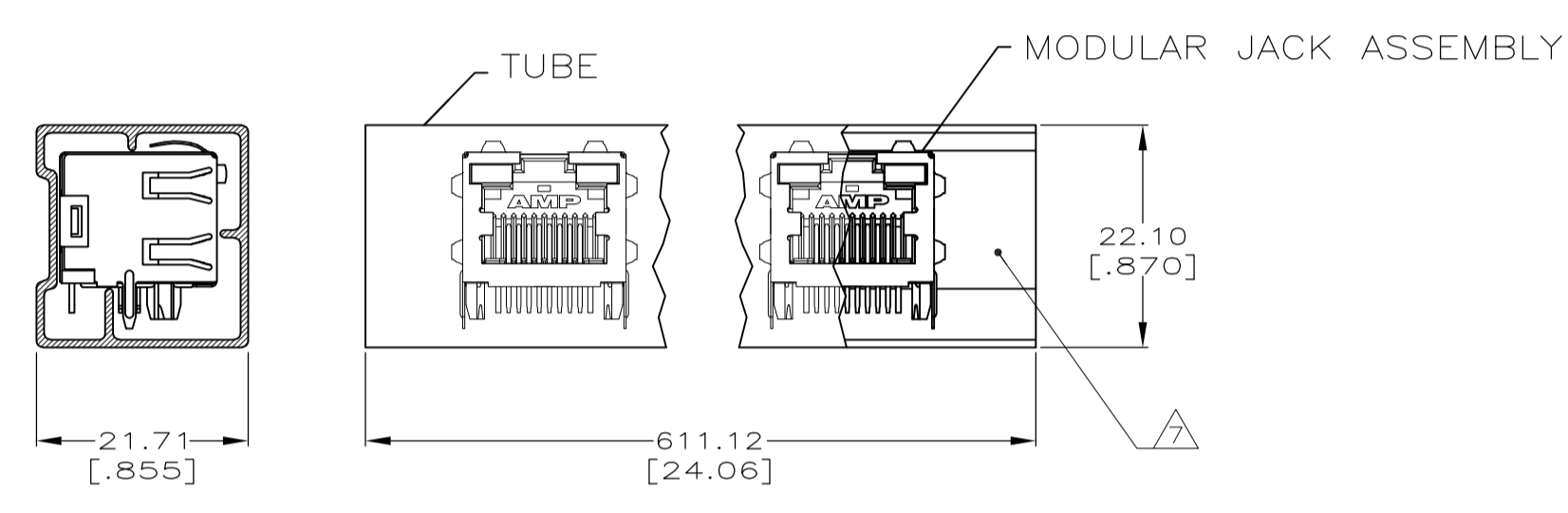
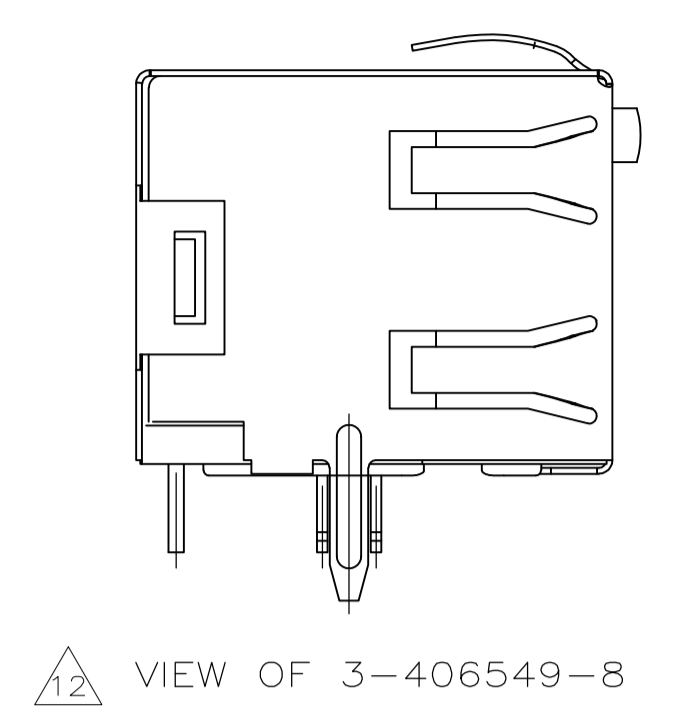
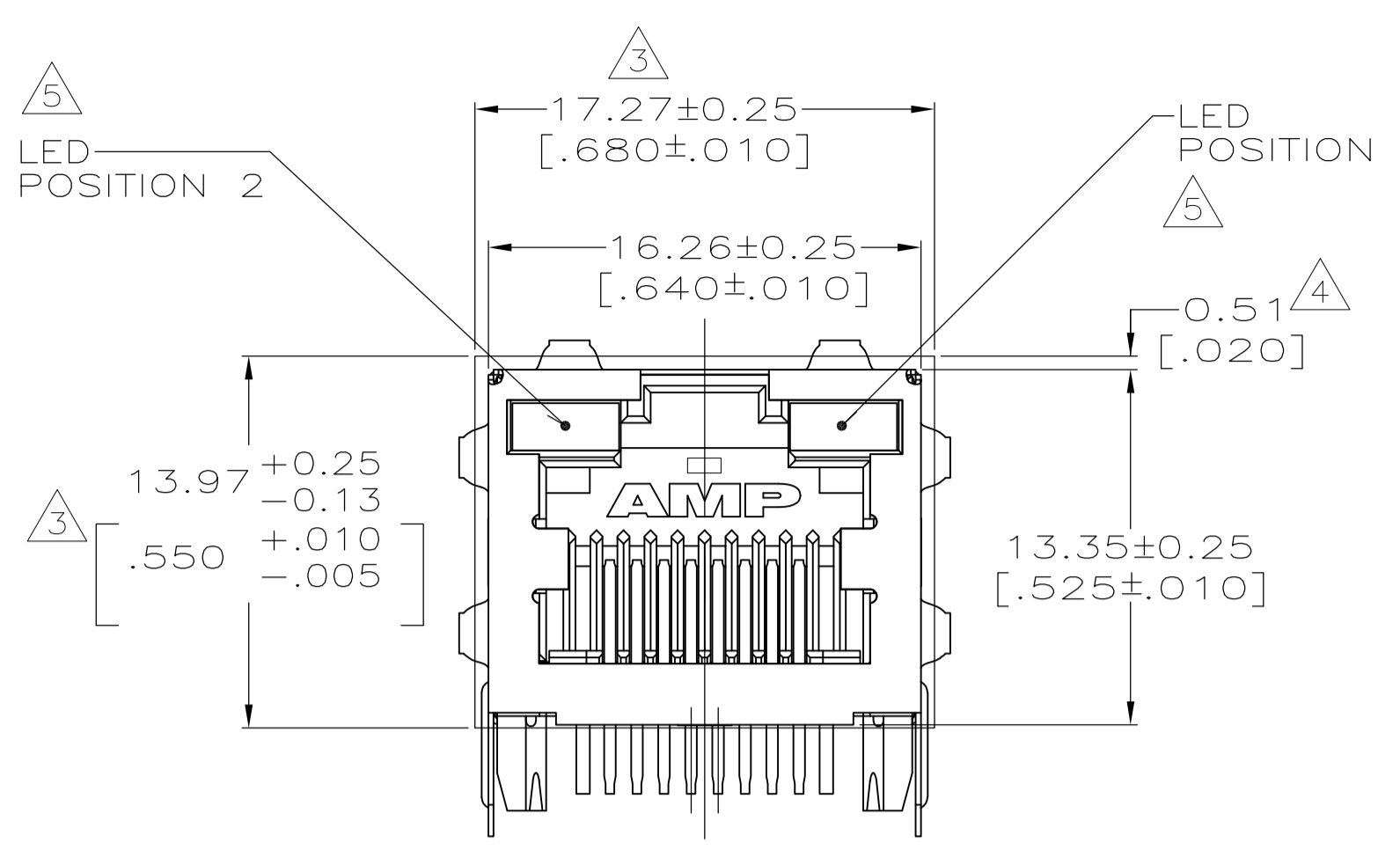
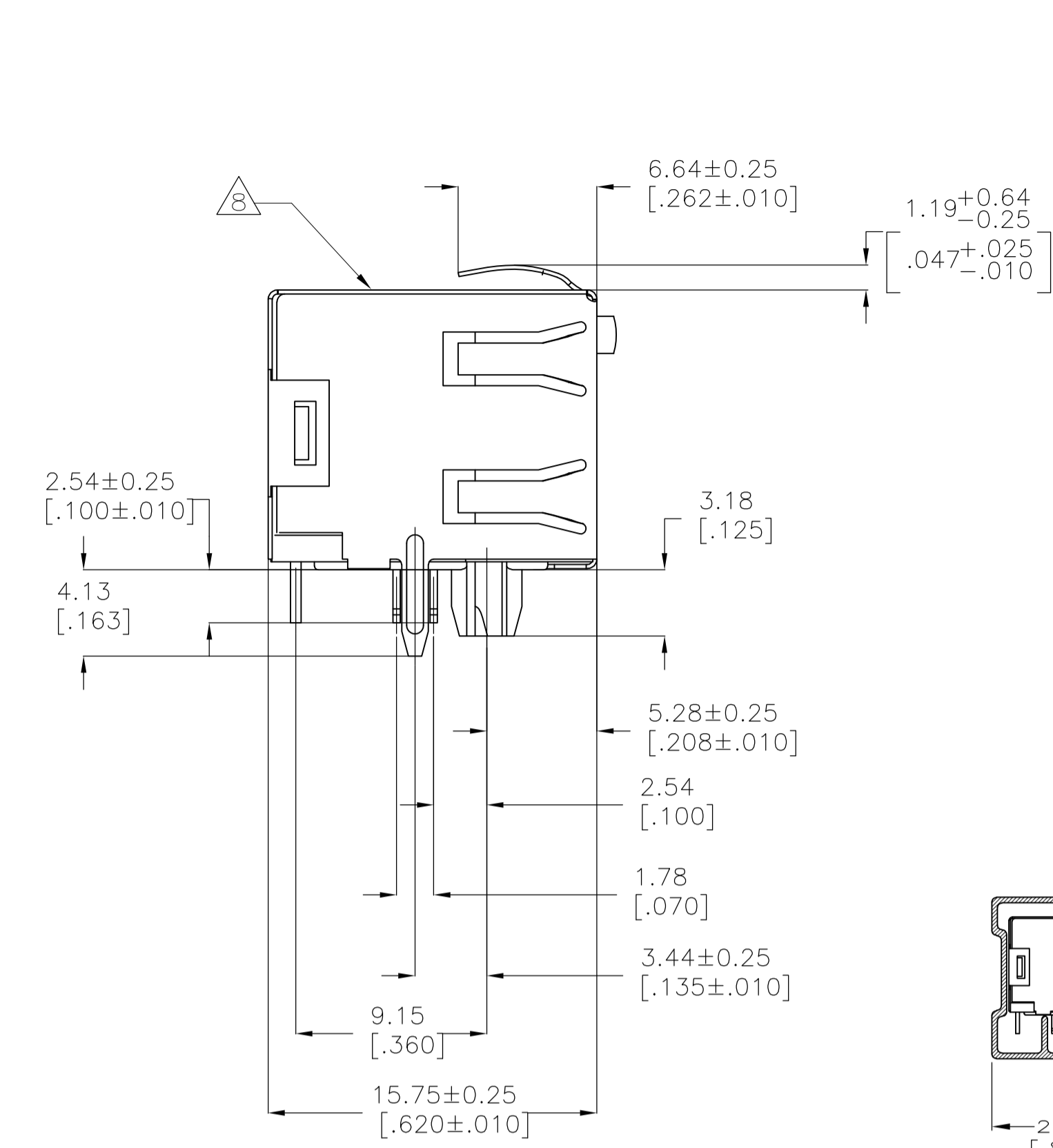
Tel: +86-755-8981 8866 Fax: +86-755-8427 6832

Email & Skype: info@chipsmall.com Web: www.chipsmall.com

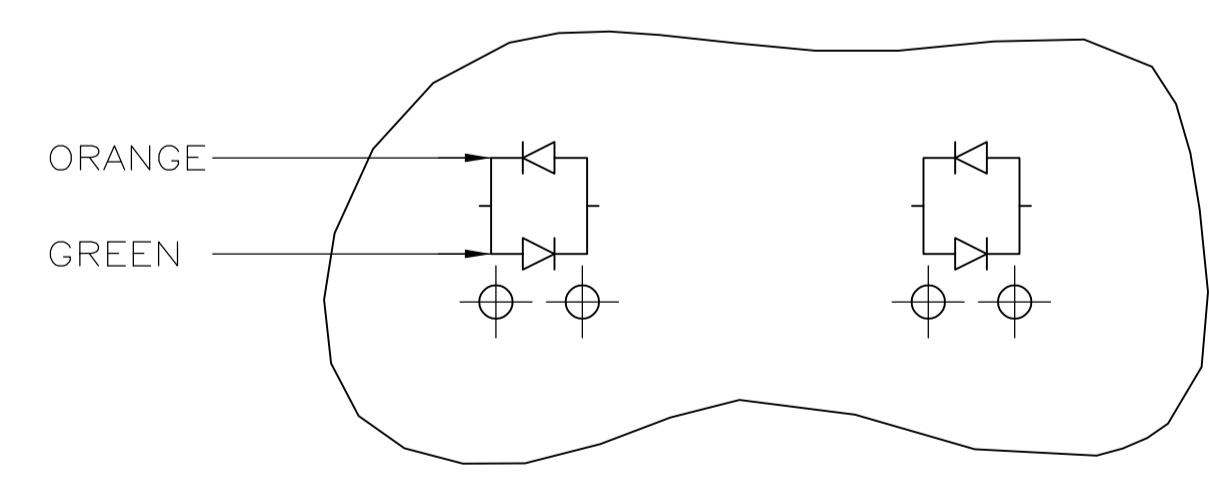
Address: A1208, Overseas Decoration Building, #122 Zhenhua RD., Futian, Shenzhen, China



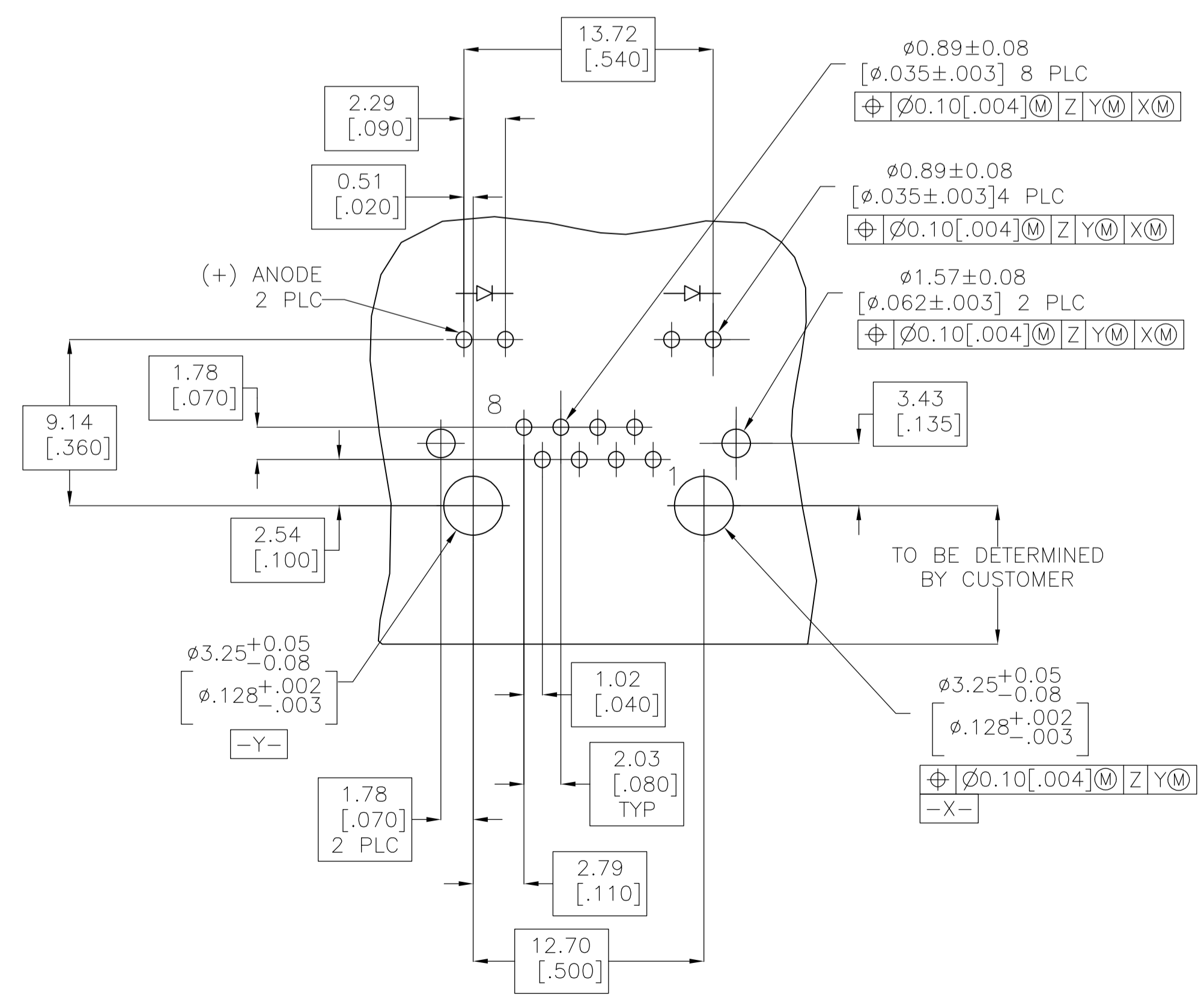
LOC	DIST	REVISIONS				
AA	00	REV	DESCRIPTION	DATE	BY	APPV
		R9	ECR-11-005509	18FEB2011	JJ	MQW



LED CURRENT DIAGRAM
406549-8, 2-406549-8



LED CURRENT DIAGRAM
2-406549-7 ONLY



RECOMMENDED PRINTED CIRCUIT BOARD LAYOUT
(COMPONENT SIDE)

- 1 MATERIAL: HOUSING - HIGH TEMPERATURE THERMOPLASTIC, BLACK, UL94V-0. TERMINALS - 0.36[.014] THICK PHOS BRONZE PLATED WITH 3.81µm[.000150] MINIMUM THICK (SEE P/N TABLE) IN SOLDER AREA. 1.27µm[.000050] MINIMUM GOLD IN LOCALIZED PLATE AREA. ENTIRE TERMINAL PLATED WITH 1.27µm[.000050] MINIMUM THICK NICKEL. SHIELD - 0.196[.0077] THICK COPPER ZINC ALLOY PREPLATED WITH 1.27µm[.000050] MINIMUM SATIN NICKEL WITH 2.03µm[.000080] MINIMUM TIN POST DIPPED ON PCB GROUND TABS. LIGHT EMITTING DIODE (LED) - DIFFUSED EPOXY LENS, 0.51 x 0.51[.020 x .020] CARBON STEEL WIREFRAME LEADS PLATED WITH 8.89µm[.000350] TIN/COPPER OVER 2.03[.000080] SILVER OVER 1.02µm[.000040] NICKEL UNDERPLATE OVER 1.02µm[.000040] COPPER UNDERPLATE.
2. JACK CAVITY CONFORMS TO FCC RULES AND REGULATIONS PART 68, SUBPART F.
- 3 SUGGESTED PANEL OPENING DIMENSIONS.
- 4 SUGGESTED CLEARANCE BETWEEN TOP OF CONNECTOR AND TOP PANEL OPENING.
- 5 SEE TABLE FOR COLOR OF LEDS AND NUMBER REQUIRED.
6. THIS MODULAR JACK WITH INTEGRATED LED IS NOT IR REFLOW SOLDERING PROCESS COMPATIBLE.
- 7 PACKAGED 30 PIECES PER TUBE, SEE DETAIL "A".
- 8 MANUFACTURING DATE CODE: LOCATED APPROX. AS SHOWN. FIRST 2 DIGITS = LAST 2 DIGITS OF YEAR. NEXT 2 DIGITS = MANUFACTURING WORK WEEK. LAST DIGIT = DAY OF WEEK WITH SUNDAY = 1.
- 9 THE PART IS PRELIMINARY.
- 10 OBSOLETE PARTS: OBSOLETE CIS STREAMLINING PER D.RENAUD/D.SINISI
- 11 TAPE REEL PACKAGE .SEE DETAIL B.
- 12 WITHOUT PLASTIC POST, SEE VIEW OF 3-406549-8.

TERMINAL LEAD PLATING	PACKAGING	INDICATOR COLOR	PART NUMBER
	TAPE REEL	YELLOW/GREEN	3-406549-8
	TRAY	-	3-406549-3
	TRAY	RED	3-406549-2
	TUBE	YELLOW	3-406549-1
	TRAY	ORANGE/GREEN	3-406549-0
	TRAY	ORANGE/GREEN	2-406549-9
	TRAY	YELLOW/GREEN	2-406549-8
	TRAY	ORANGE/GREEN	2-406549-7
OBsolete	TRAY	YELLOW	2-406549-6
	TRAY	GREEN	2-406549-5
OBsolete	TRAY	GREEN	2-406549-4
	TRAY	YELLOW	2-406549-3
	TRAY	-	2-406549-2
	TRAY	YELLOW	2-406549-1
	TRAY	YELLOW/GREEN	406549-8
OBsolete	TRAY	YELLOW	406549-6
	TRAY	GREEN	406549-5
	TRAY	GREEN	406549-4
OBsolete	TRAY	YELLOW	406549-3
	TRAY	-	406549-2
	TRAY	YELLOW	406549-1

THIS DRAWING IS A CONTROLLED DOCUMENT. DIMENSIONS: mm [INCHES]. TOLERANCES UNLESS OTHERWISE SPECIFIED: 0 PLC ± -, 1 PLC ± .025[.01], 2 PLC ± .025[.01], 3 PLC ± .013[.005], 4 PLC ± -. ANGLES ± -. MATERIAL: SEE NOTE 1. FINISH: SEE NOTE 1. WEIGHT: -. CUSTOMER DRAWING. SCALE: 4:1. SHEET: 1 of 1. REV: R9.

THIS DRAWING IS A CONTROLLED DOCUMENT. DIM: G. GARRETT 17-SEP-97. CHK: G. GARRETT 17-SEP-97. APD: M. DERSTINE 17-SEP-97. NAME: INVERTED MODULAR JACK ASSEMBLY, 1X1, SHIELDED, PANEL GROUND, LED. PRODUCT SPEC: 108-1163-4. APPLICATION SPEC: 114-2154. SIZE: A1. CAGE CODE: 00779. DRAWING NO: 406549. RESTRICTED TO: -. CUSTOMER DRAWING. SCALE: 4:1. SHEET: 1 of 1. REV: R9.