



Chipsmall Limited consists of a professional team with an average of over 10 year of expertise in the distribution of electronic components. Based in Hongkong, we have already established firm and mutual-benefit business relationships with customers from,Europe,America and south Asia,supplying obsolete and hard-to-find components to meet their specific needs.

With the principle of “Quality Parts,Customers Priority,Honest Operation,and Considerate Service”,our business mainly focus on the distribution of electronic components. Line cards we deal with include Microchip,ALPS,ROHM,Xilinx,Pulse,ON,Everlight and Freescale. Main products comprise IC,Modules,Potentiometer,IC Socket,Relay,Connector.Our parts cover such applications as commercial,industrial, and automotives areas.

We are looking forward to setting up business relationship with you and hope to provide you with the best service and solution. Let us make a better world for our industry!



Contact us

Tel: +86-755-8981 8866 Fax: +86-755-8427 6832

Email & Skype: info@chipsmall.com Web: www.chipsmall.com

Address: A1208, Overseas Decoration Building, #122 Zhenhua RD., Futian, Shenzhen, China



THIS DRAWING IS UNPUBLISHED. RELEASED FOR PUBLICATION
 © COPYRIGHT - By - ALL RIGHTS RESERVED.

| LOC | | DIST | | REVISIONS | | | |
|-----|-----|---------------------------|--|-----------|-----|------|--|
| P | LTR | DESCRIPTION | | DATE | DWN | APVD | |
| | Z2 | REVISED PER ECO-11-004587 | | 11MAR11 | RK | HMR | |

- FOR ADDITIONAL SPECIFICATIONS SEE AMP PRODUCT SPEC 108-7519.
- SWITCH HAS MAKE-BEFORE-BREAK OPERATION.
- ALL CHARACTERS AND ROCKERS ARE WHITE, HOUSING IS BLACK.
- STAMPING WILL VARY ON 2 POSITION SIDES DUE TO SPACE RESTRICTIONS.
- .315 DIMENSION APPLIES AT TERMINAL TIPS. TERMINALS ARE .300 $\begin{smallmatrix} +.010 \\ -.000 \end{smallmatrix}$ AT MOUNTING SURFACE.
- SWITCH POSITIONS ARE CLOSED WHEN ROCKERS ARE DOWN TOWARD DOTS.
- ALL MATERIALS AND FINISHES SHALL COMPLY WITH EU DIRECTIVE 2002/95/EC OF 27JAN2003 (ROHS).
- OBSOLETE PARTS: OBSOLETE CIS STREAMLINING PER D.RENAUD/D.SINISI

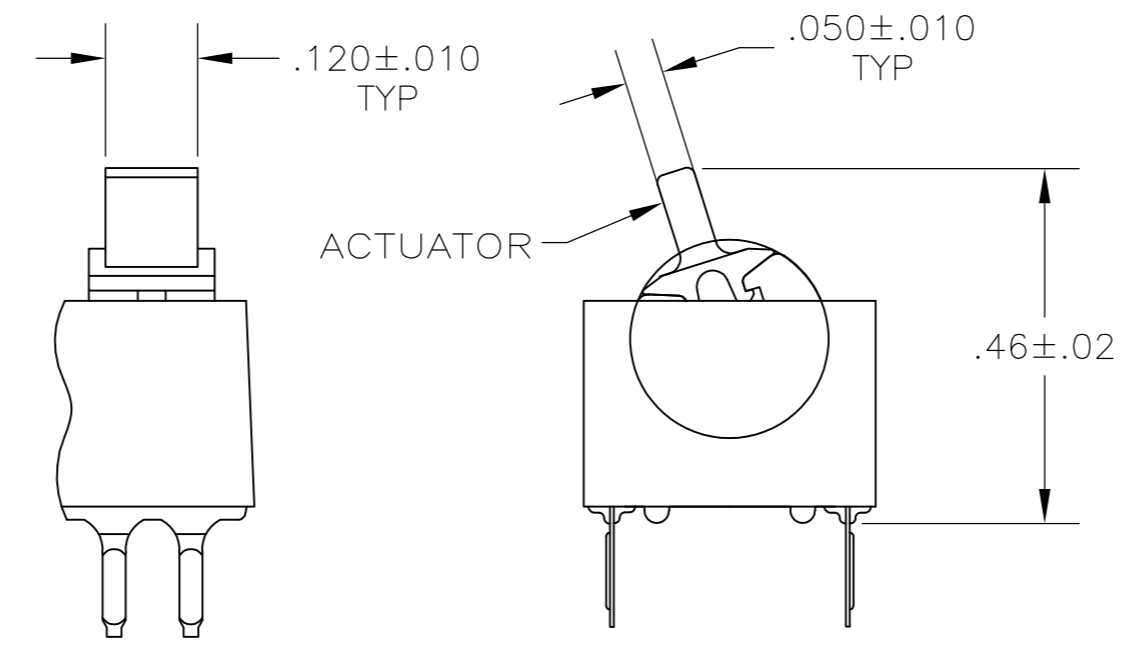
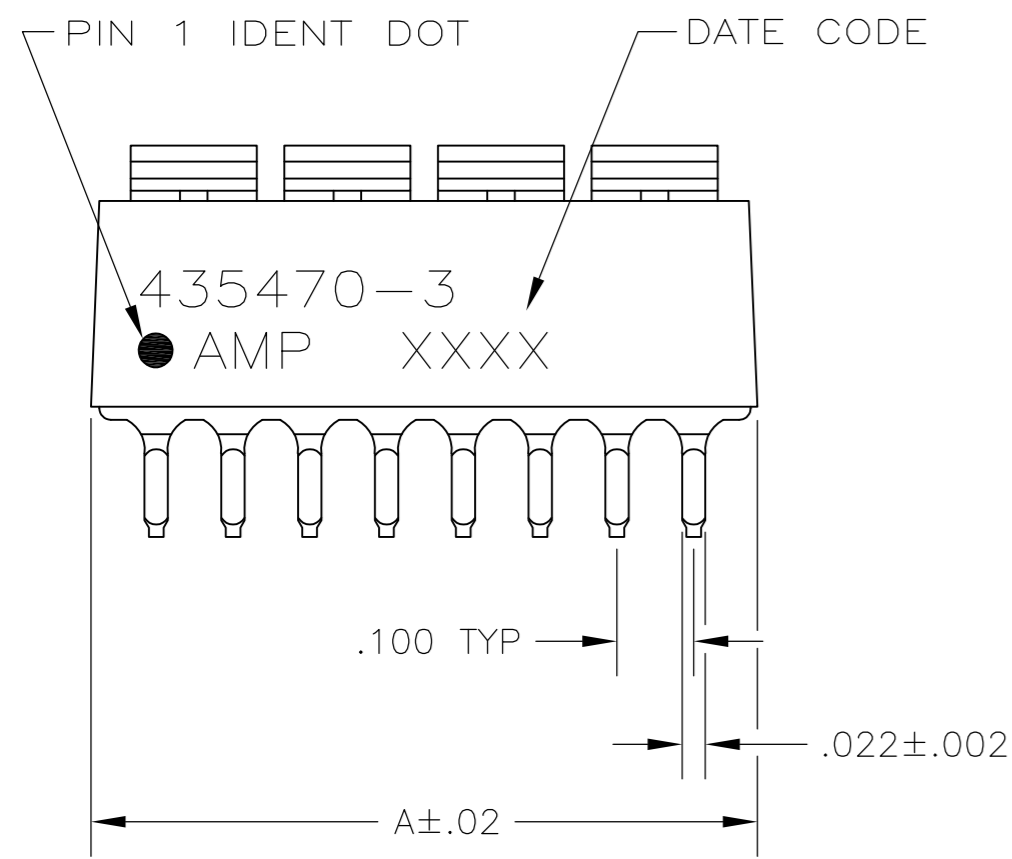
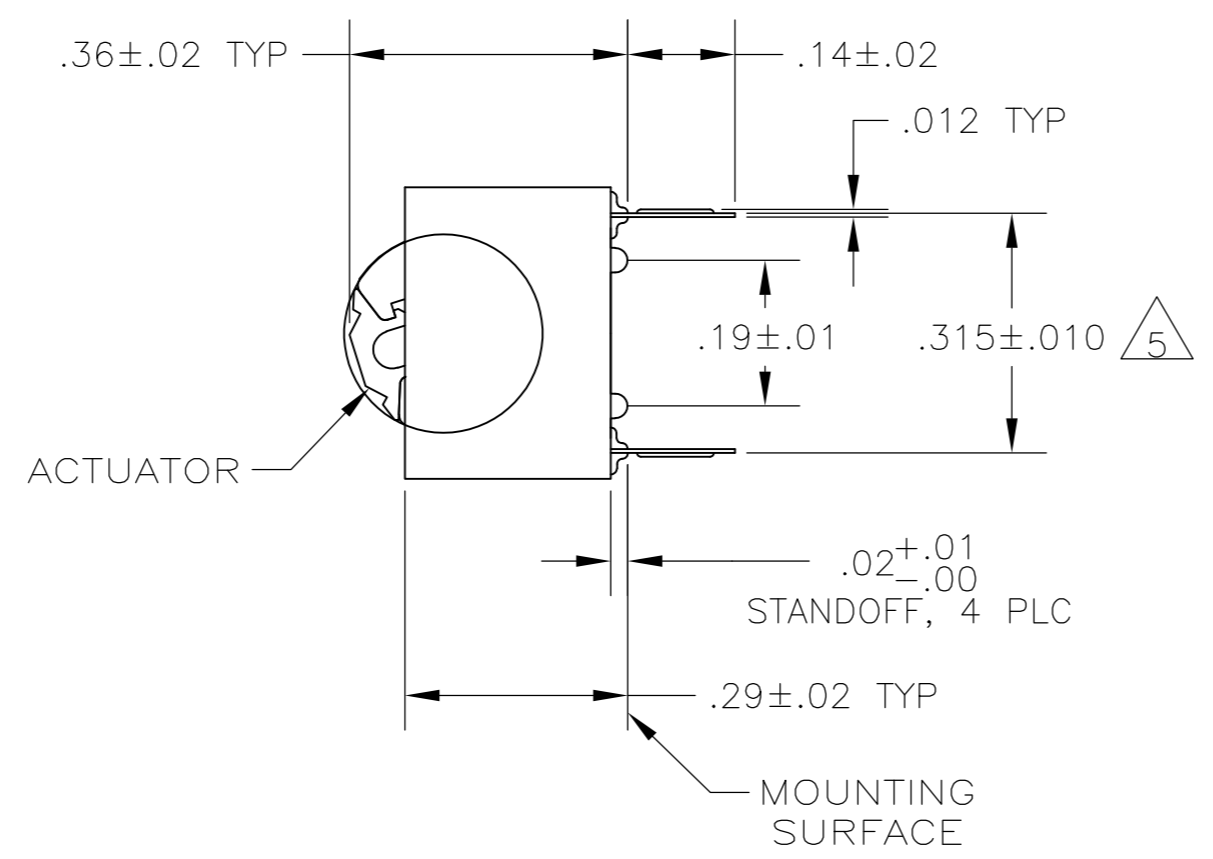
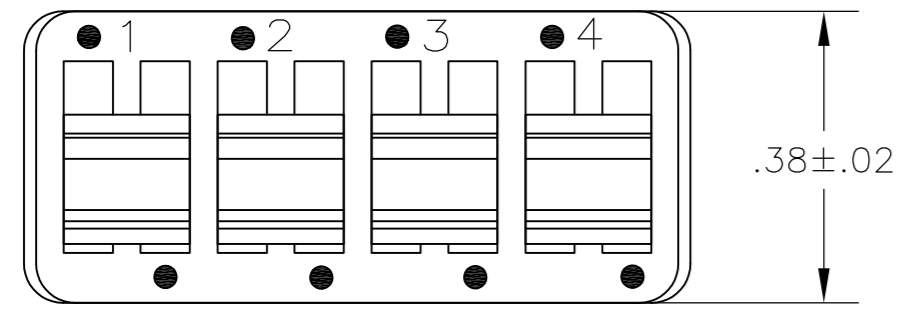


FIGURE 1
LEVER ACTUATOR SHOWN

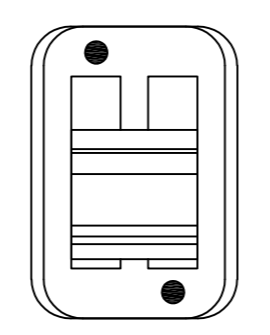
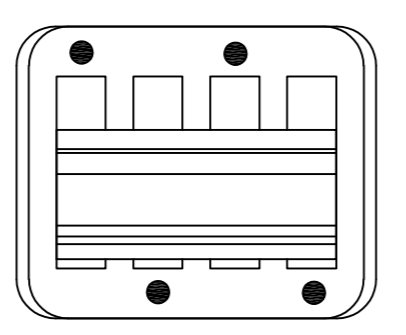
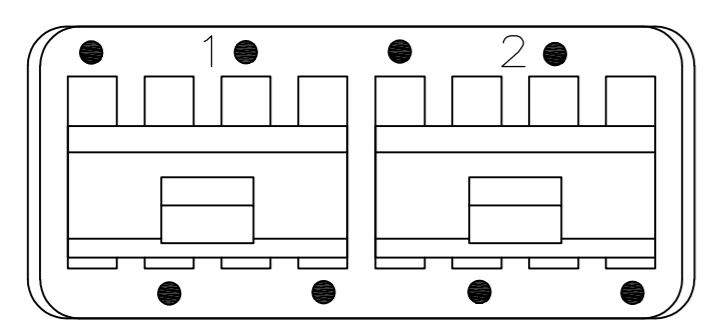
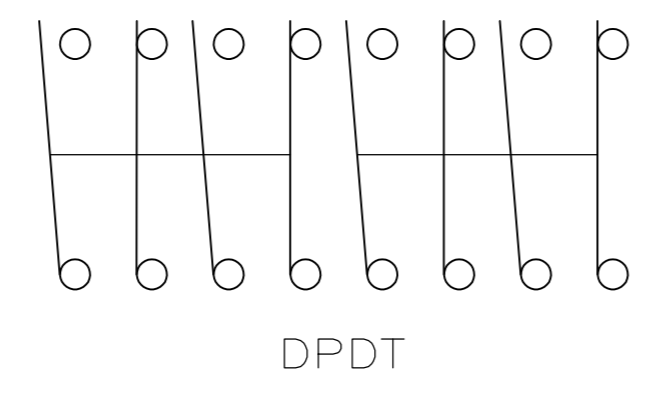
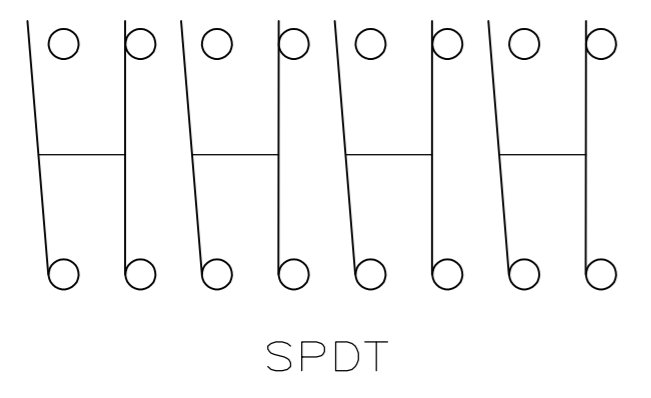


FIGURE 2

FIGURE 3

FIGURE 4



SPDT

DPDT

CONTACT ARRANGEMENT

| FIG 1 | FIG 3 | | | | | | |
|----------|----------|------|------|----|------------|--|--|
| FIG 1 | FIG 3 | .48 | DPDT | 4 | 8-435470-1 | | |
| FIG 1 | AS SHOWN | 1.28 | SPDT | 12 | 7-435470-6 | | |
| FIG 1 | AS SHOWN | 1.08 | SPDT | 10 | 7-435470-5 | | |
| FIG 1 | AS SHOWN | .88 | SPDT | 8 | 7-435470-4 | | |
| FIG 1 | AS SHOWN | .48 | SPDT | 4 | 7-435470-2 | | |
| FIG 1 | FIG 4 | .28 | SPDT | 2 | 7-435470-1 | | |
| AS SHOWN | FIG 2 | .88 | DPDT | 8 | 5-435470-9 | | |
| AS SHOWN | FIG 4 | .28 | SPDT | 2 | 5-435470-7 | | |
| AS SHOWN | FIG 3 | .48 | DPDT | 4 | 5-435470-5 | | |
| AS SHOWN | AS SHOWN | .88 | SPDT | 8 | 5-435470-3 | | |
| AS SHOWN | AS SHOWN | .68 | SPDT | 6 | 5-435470-2 | | |
| AS SHOWN | AS SHOWN | .48 | SPDT | 4 | 5-435470-1 | | |
| FIG 1 | FIG 2 | 1.28 | DPDT | 12 | 3-435470-3 | | |
| FIG 1 | FIG 2 | .88 | DPDT | 8 | 3-435470-2 | | |
| FIG 1 | FIG 3 | .48 | DPDT | 4 | 3-435470-1 | | |
| FIG 1 | NONE | .88 | SPDT | 8 | 2-435470-7 | | |
| FIG 1 | AS SHOWN | 1.28 | SPDT | 12 | 2-435470-6 | | |
| FIG 1 | AS SHOWN | 1.08 | SPDT | 10 | 2-435470-5 | | |
| FIG 1 | AS SHOWN | .88 | SPDT | 8 | 2-435470-4 | | |
| FIG 1 | AS SHOWN | .68 | SPDT | 6 | 2-435470-3 | | |
| FIG 1 | AS SHOWN | .48 | SPDT | 4 | 2-435470-2 | | |
| FIG 1 | FIG 4 | .28 | SPDT | 2 | 2-435470-1 | | |
| AS SHOWN | FIG 2 | .88 | DPDT | 8 | 435470-9 | | |
| AS SHOWN | AS SHOWN | 1.28 | SPDT | 12 | 435470-8 | | |
| AS SHOWN | FIG 4 | .28 | SPDT | 2 | 435470-7 | | |
| AS SHOWN | FIG 3 | .48 | DPDT | 4 | 435470-5 | | |
| AS SHOWN | AS SHOWN | 1.08 | SPDT | 10 | 435470-4 | | |
| AS SHOWN | AS SHOWN | .88 | SPDT | 8 | 435470-3 | | |
| AS SHOWN | AS SHOWN | .68 | SPDT | 6 | 435470-2 | | |
| AS SHOWN | AS SHOWN | .48 | SPDT | 4 | 435470-1 | | |

SUPERSEDED BY 435470-9

SUPERSEDED BY 2-435470-6

SUPERSEDED BY 2-435470-5

435470-3 SHOWN

| | | | | |
|--|--|---|--|---------------------|
| THIS DRAWING IS A CONTROLLED DOCUMENT. | | DWN R.TALLEY 15MAR90 | | |
| DIMENSIONS: INCHES | | CHK R.MILLER 27MAR90 | | |
| TOLERANCES UNLESS OTHERWISE SPECIFIED: | | APVD H.LEITER 27MAR90 | NAME | |
| 0 PLC ± - 1 PLC ± - 2 PLC ± - 3 PLC ± .005 4 PLC ± - ANGLES ± - | | PRODUCT SPEC | SWITCH ASSY, DIP, TYPE C, 7000 SERIES, SPDT & DPDT | |
| MATERIAL HOUSING & ROCKER; POLYESTER CONTACTS; BERYLLIUM COPPER | | FINISH CONTACTS; PLATED .00030 MIN GOLD IN CONTACT AREA OVER .00050 MIN NICKEL. | APPLICATION SPEC | RESTRICTED TO |
| WEIGHT | | SCALE A2 | CAGE CODE 00779 | DRAWING NO C=435470 |
| CUSTOMER DRAWING | | SCALE 4:1 | SHEET 1 of 1 | REV Z2 |