



Chipsmall Limited consists of a professional team with an average of over 10 year of expertise in the distribution of electronic components. Based in Hongkong, we have already established firm and mutual-benefit business relationships with customers from,Europe,America and south Asia,supplying obsolete and hard-to-find components to meet their specific needs.

With the principle of “Quality Parts,Customers Priority,Honest Operation,and Considerate Service”,our business mainly focus on the distribution of electronic components. Line cards we deal with include Microchip,ALPS,ROHM,Xilinx,Pulse,ON,Everlight and Freescale. Main products comprise IC,Modules,Potentiometer,IC Socket,Relay,Connector.Our parts cover such applications as commercial,industrial, and automotives areas.

We are looking forward to setting up business relationship with you and hope to provide you with the best service and solution. Let us make a better world for our industry!



Contact us

Tel: +86-755-8981 8866 Fax: +86-755-8427 6832

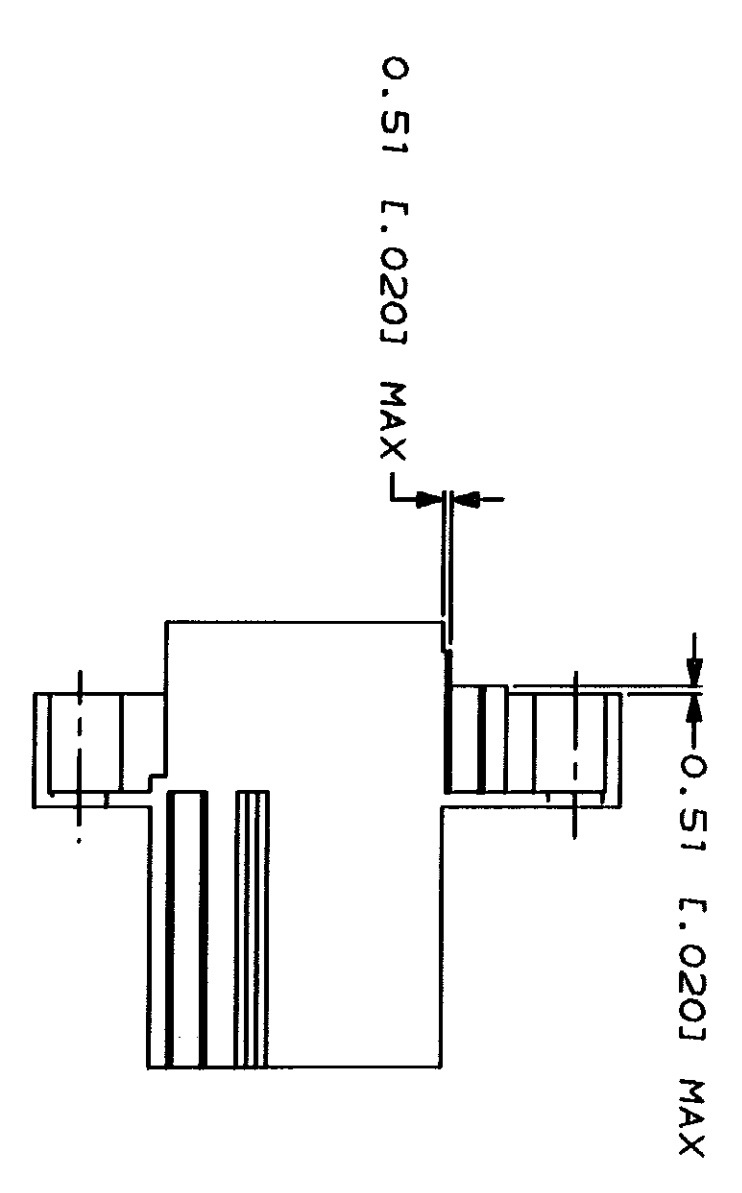
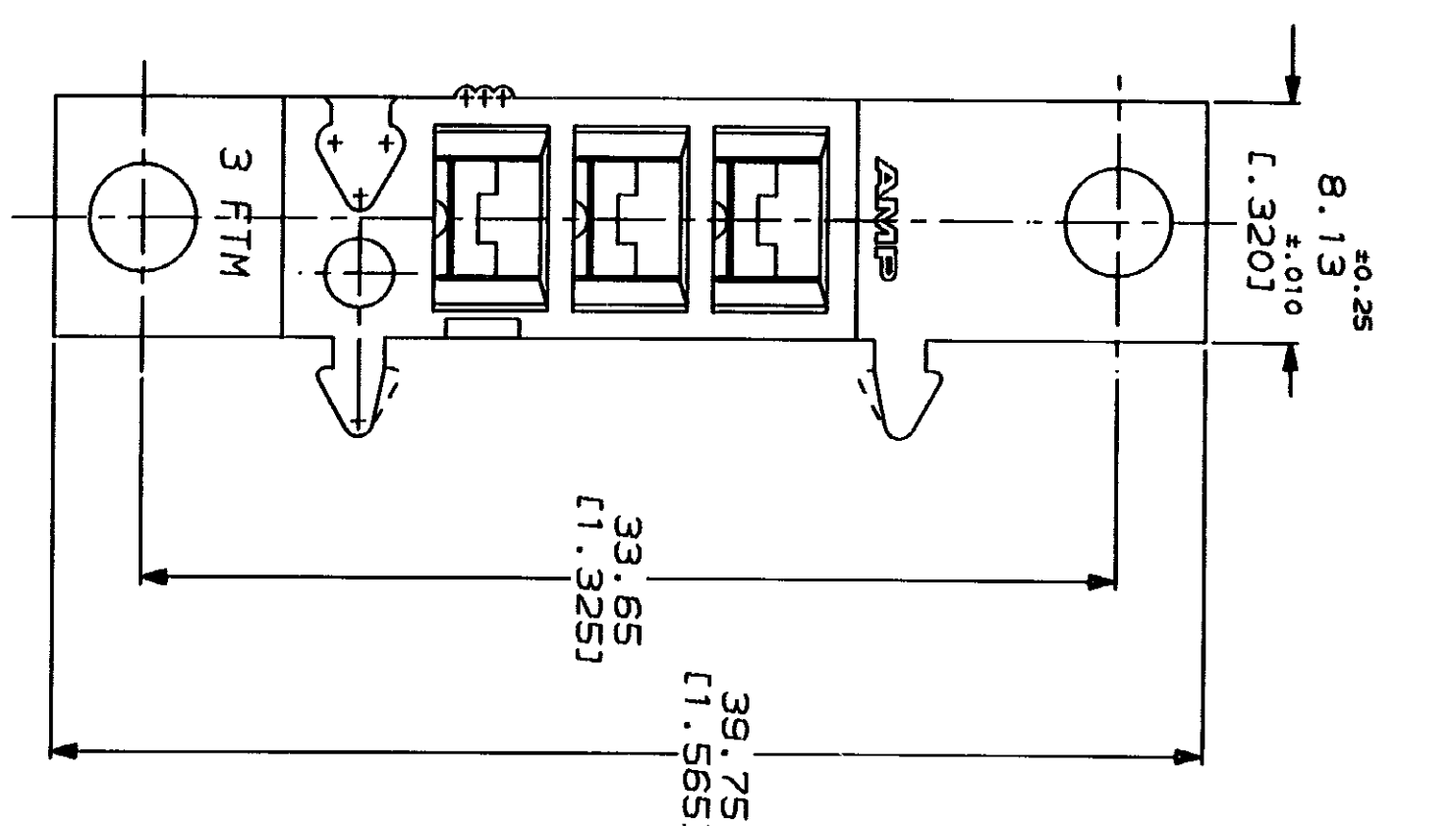
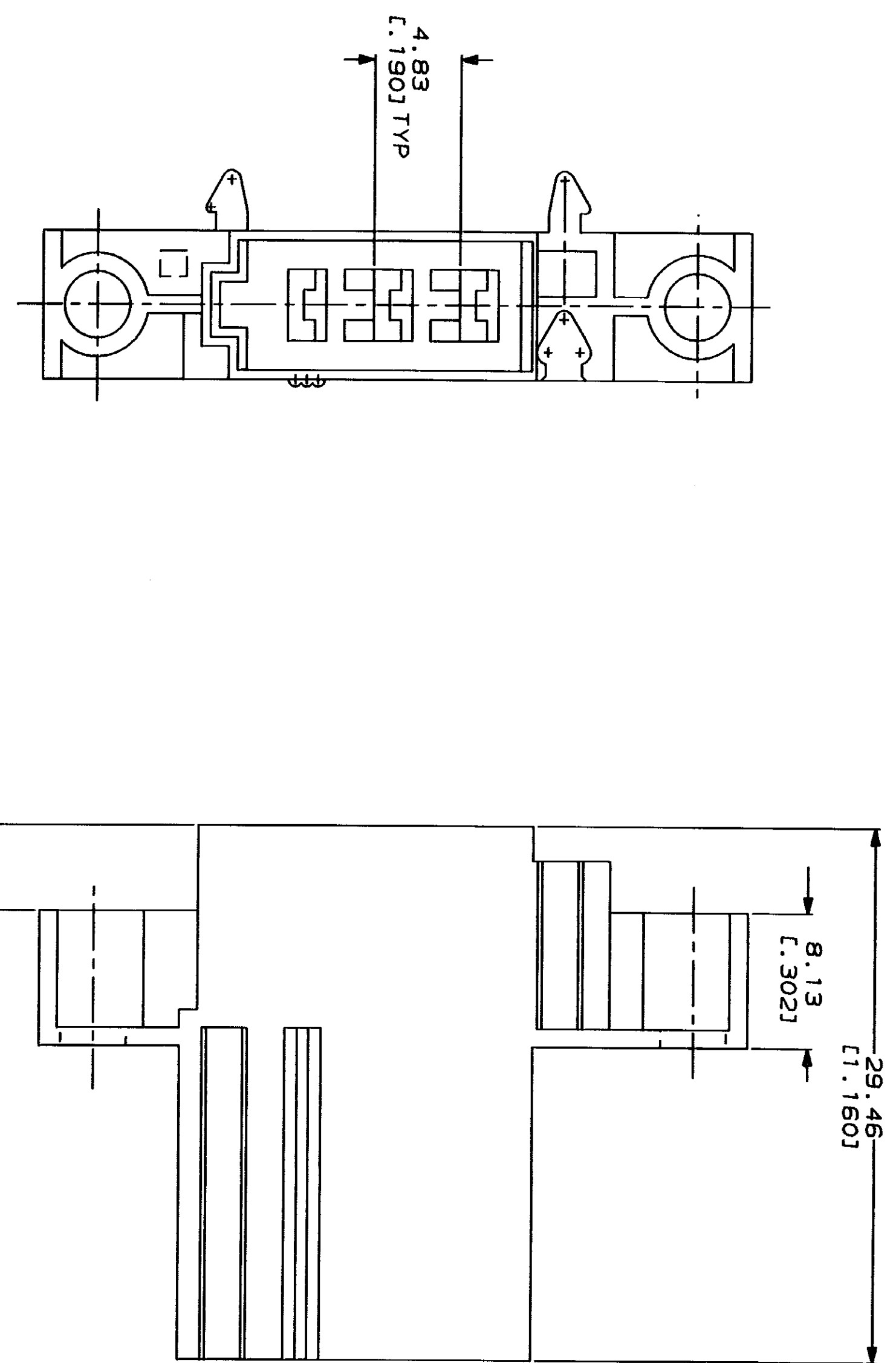
Email & Skype: info@chipsmall.com Web: www.chipsmall.com

Address: A1208, Overseas Decoration Building, #122 Zhenhua RD., Futian, Shenzhen, China



LOC	DIST	ZONE	LTR	DESCRIPTION	DATE	APPD
AF	50		U	REDRAWN PER 0085-94	2/23/94	JR/RB

REVISONS	
DESCRIPTION	DATE
REDRAWN PER 0085-94	2/23/94



- 1 USE TERMINAL 60434
- 2 FOR MOUNTING HOLE DIMENSIONS SEE CP-22678 AND CP-22893
- 3 FOR MOUNTING HOLE DIMENSIONS FOR 2-480251-0 SEE CP 24310

COLOR	PART NO
NATURAL	2-480251-0
RED	1-480251-9
BLACK	1-480251-8
GRAY	1-480251-7
VIOLET	1-480251-6
BLUE	1-480251-5
GREEN	1-480251-4
YELLOW	1-480251-3
ORANGE	1-480251-2
BROWN	1-480251-1
NATURAL	1-480251-0

DO NOT SCALE PRINT.
 UNLESS SPECIFIED
 DIMENSIONS IN mm [INCHES]
 TOLERANCES ON:
 2 PLC DEC ± 0.38 [L.015]
 3 PLC DEC ±
 ANGLES
 MATERIAL
 NYLON

DR 2/23/94
 JR R/TH
 CHK 2/23/94
 MS FEHER
 APPD 2/23/94
 R BEAVER
 R REINER
 PRODUCT SPEC

AMP
 AMP Incorporated
 Harrisburg, PA 17105-3608
 HOUSING, TAB, FASTON,
 4.75 [L.187] SERIES

FINISH SEE TABLE
 APPLICATION SPEC
 WEIGHT
 SCALE 4:1
 SIZE CAGE CODE DRAWING NO
 00779 480251
 SHEET 1 OF 1

THIS DRAWING IS A CONTROLLED DOCUMENT FOR AMP INCORPORATED. IT IS SUBJECT TO CHANGE WITHOUT NOTICE. ANY CHANGES SHOULD BE CONTACTED FOR THE LATEST REVISION.