



Chipsmall Limited consists of a professional team with an average of over 10 year of expertise in the distribution of electronic components. Based in Hongkong, we have already established firm and mutual-benefit business relationships with customers from,Europe,America and south Asia,supplying obsolete and hard-to-find components to meet their specific needs.

With the principle of “Quality Parts,Customers Priority,Honest Operation,and Considerate Service”,our business mainly focus on the distribution of electronic components. Line cards we deal with include Microchip,ALPS,ROHM,Xilinx,Pulse,ON,Everlight and Freescale. Main products comprise IC,Modules,Potentiometer,IC Socket,Relay,Connector.Our parts cover such applications as commercial,industrial, and automotives areas.

We are looking forward to setting up business relationship with you and hope to provide you with the best service and solution. Let us make a better world for our industry!



Contact us

Tel: +86-755-8981 8866 Fax: +86-755-8427 6832

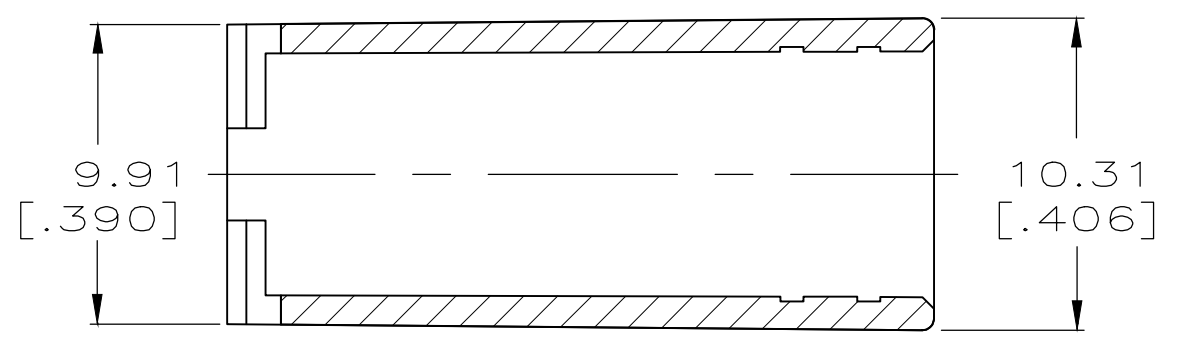
Email & Skype: info@chipsmall.com Web: www.chipsmall.com

Address: A1208, Overseas Decoration Building, #122 Zhenhua RD., Futian, Shenzhen, China

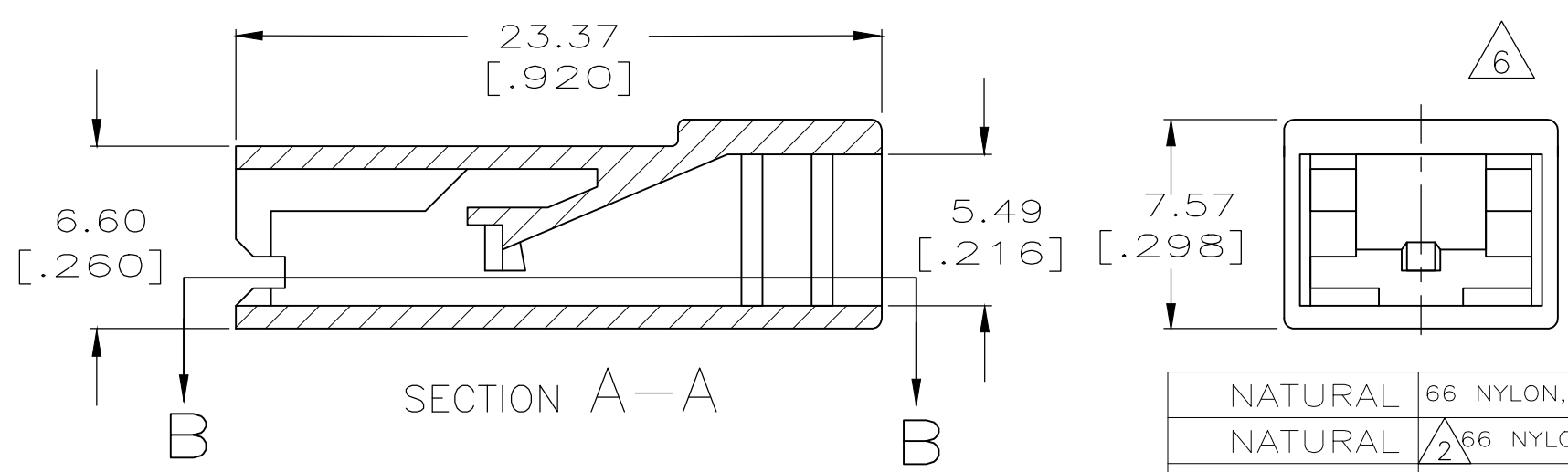


THIS DRAWING IS UNPUBLISHED. RELEASED FOR PUBLICATION
 © COPYRIGHT - By - ALL RIGHTS RESERVED.

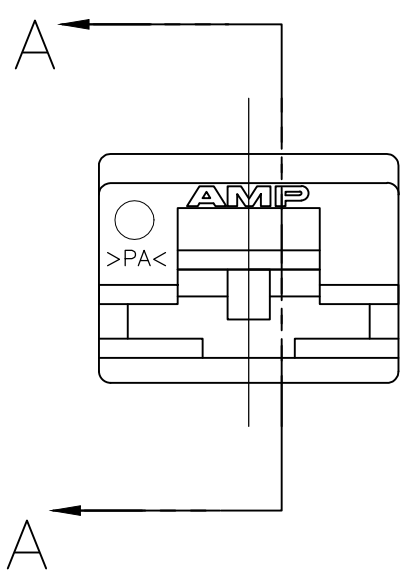
REVISIONS				
P	LTR	DESCRIPTION	DATE	APVD
	AC10	REVISED PER ECR-18-006282	24MAY2018	BDA DS



SECTION B-B



SECTION A-A



- 1 SPECIAL PACKAGING QUANTITIES.
- 2 POLYAMIDE ACCORDING TO IEC 60335-1, GLOW WIRE.
- 3 PRELIMINARY - NOT FOR PRODUCTION
- 5 CONTACT PRODUCT ENGINEERING FOR TERMINAL RECOMMENDATIONS WHEN USING THIS INSULATOR WITH 10 AWG WIRE
- 6 NOT FOR PRODUCTION: AGENCY APPROVAL IS PENDING.

SUPERSEDED BY 2-480416-5
 SUPERSEDED BY 1-480416-0
 OBSOLETE
 SUPERSEDED BY 1-480416-0

FINISH	MATERIAL	PART NO
NATURAL	66 NYLON, UL94 V0 150C	2-480416-4
NATURAL	66 NYLON, UL94 V0	2-480416-3
NATURAL	UL94 V2	2-480416-2
NATURAL	6/6 NYLON	2-480416-1
NATURAL	UL94 5VA RATED	2-480416-0
NATURAL	4/6 NYLON UL 150	1-480416-8
NATURAL	66 NYLON, V0	1-480416-7
NATURAL	POLYESTER	1-480416-6
RED	6/6 NYLON	1-480416-4
BLUE		1-480416-3
BLACK		1-480416-1
NATURAL		1-480416-0

6	NATURAL	66 UL NYLON V0 NATURAL	2-480416-5
6	BLACK	66/6 V0 BLACK	480416-2
6	NATURAL	66/6 V0 NATURAL	480416-1
	FINISH	MATERIAL	PART NO

THIS DRAWING IS A CONTROLLED DOCUMENT.

DWN	JR RUTH	2/4/91
CHK	P FORTNEY	2/4/91
APVD	C MEYERS	2/4/91

STE TE Connectivity

HOUSING, RECEPTACLE, FASTON, 6.35 [.250] SERIES

SIZE	CAGE CODE	DRAWING NO	RESTRICTED TO
A3	00779	C-480416	-

CUSTOMER DRAWING SCALE 4:1 SHEET 1 OF 1 REV AC10