



Chipsmall Limited consists of a professional team with an average of over 10 year of expertise in the distribution of electronic components. Based in Hongkong, we have already established firm and mutual-benefit business relationships with customers from,Europe,America and south Asia,supplying obsolete and hard-to-find components to meet their specific needs.

With the principle of “Quality Parts,Customers Priority,Honest Operation,and Considerate Service”,our business mainly focus on the distribution of electronic components. Line cards we deal with include Microchip,ALPS,ROHM,Xilinx,Pulse,ON,Everlight and Freescale. Main products comprise IC,Modules,Potentiometer,IC Socket,Relay,Connector.Our parts cover such applications as commercial,industrial, and automotives areas.

We are looking forward to setting up business relationship with you and hope to provide you with the best service and solution. Let us make a better world for our industry!



Contact us

Tel: +86-755-8981 8866 Fax: +86-755-8427 6832

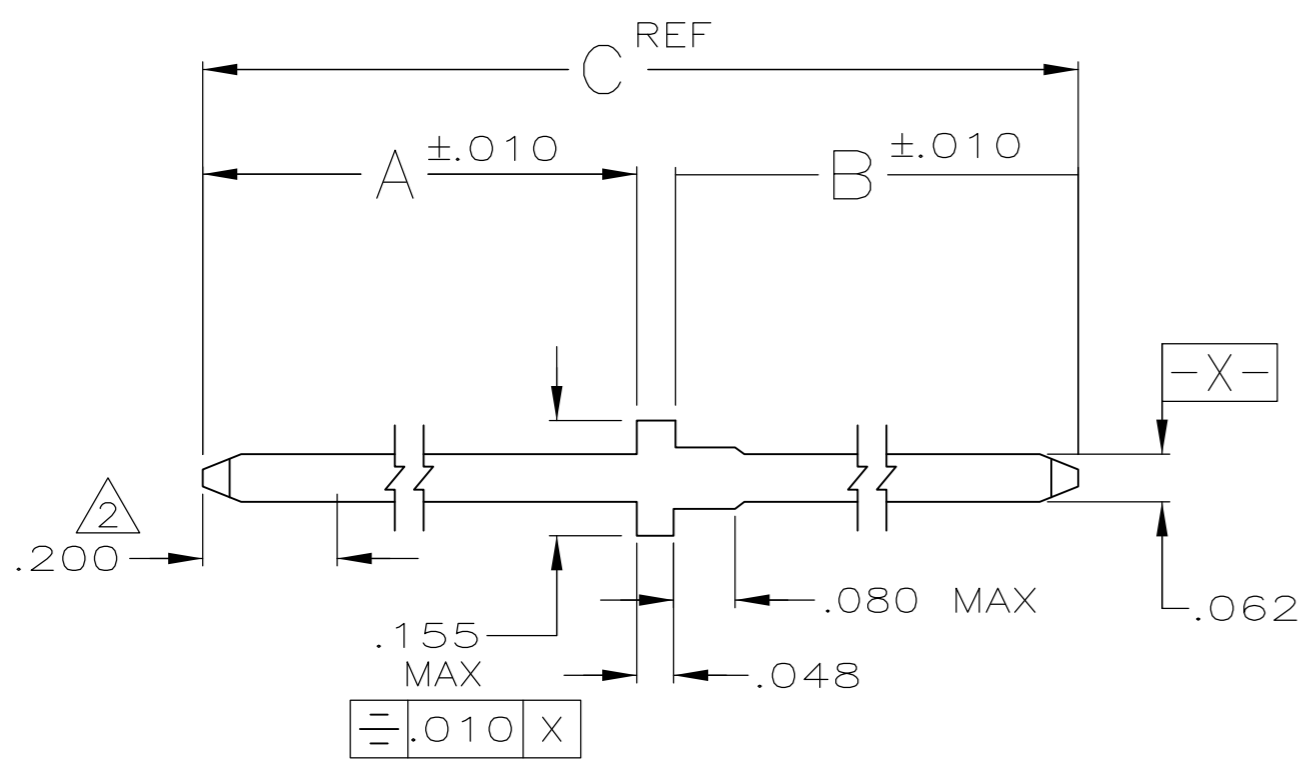
Email & Skype: info@chipsmall.com Web: www.chipsmall.com

Address: A1208, Overseas Decoration Building, #122 Zhenhua RD., Futian, Shenzhen, China



THIS DRAWING IS UNPUBLISHED. RELEASED FOR PUBLICATION
 © COPYRIGHT BY TYCO ELECTRONICS CORPORATION. ALL RIGHTS RESERVED.

LOC	DIST	REVISIONS			
P	LTR	DESCRIPTION	DATE	DWN	APVD
	A	ECO-06-009997	02MAY2006	RB	NE
	A1	REVISED PER ECO-09-024927	09NOV09	KK	AEG



1. THIS POST IS NOT COMPATIBLE WITH TERMI-POINT APPLICATIONS.
2. POINT OF MEASUREMENT FOR PLATING THICKNESS.
3. .000100-.000200 MATTE TIN OVER .000030 NICKEL.
4. ROHS 2002/95/EC COMPLIANT.
5. OBSOLETE PARTS: OBSOLETE CIS STREAMLINING PER D.RENAUD/D.SINISI

	C	B	A	FINISH	PART NUMBER
5 OBSOLETE	.573	.125	.400	3	2-5086182-5
	.715	.187	.480	3	2-5086182-2
OBSOLETE	.998	.150	.800	3	1-5086182-0
5	.748	.320	.380	3	5086182-9
	.595	.187	.360	3	5086182-2
	.800	.187	.565	3	5086182-1

THIS DRAWING IS A CONTROLLED DOCUMENT.		DWN	R BROWN	02MAY2006	Tyco Electronics Corporation Harrisburg, PA 17105-3608		
DIMENSIONS: INCHES		CHK	N EPPLEY	02MAY2006	NAME		
TOLERANCES UNLESS OTHERWISE SPECIFIED:		APVD	N EPPLEY	02MAY2006	CONTACT, MALE, MOD 1 LOOSE PIECE .031X.062		
0 PLC ± -		PRODUCT SPEC	-				
1 PLC ± -		APPLICATION SPEC	-				
2 PLC ± -		WEIGHT	-				
3 PLC ± 0.13[.005]		SCALE	A2 00779		C=5086182		RESTRICTED TO
4 PLC ± -		CUSTOMER DRAWING	SCALE 4:1		SHEET 1 of 1		REV A1
ANGLES ± -							
FINISH NOTE 3							
MATERIAL BRASS							