



Chipsmall Limited consists of a professional team with an average of over 10 year of expertise in the distribution of electronic components. Based in Hongkong, we have already established firm and mutual-benefit business relationships with customers from,Europe,America and south Asia,supplying obsolete and hard-to-find components to meet their specific needs.

With the principle of “Quality Parts,Customers Priority,Honest Operation,and Considerate Service”,our business mainly focus on the distribution of electronic components. Line cards we deal with include Microchip,ALPS,ROHM,Xilinx,Pulse,ON,Everlight and Freescale. Main products comprise IC,Modules,Potentiometer,IC Socket,Relay,Connector.Our parts cover such applications as commercial,industrial, and automotives areas.

We are looking forward to setting up business relationship with you and hope to provide you with the best service and solution. Let us make a better world for our industry!



## Contact us

Tel: +86-755-8981 8866 Fax: +86-755-8427 6832

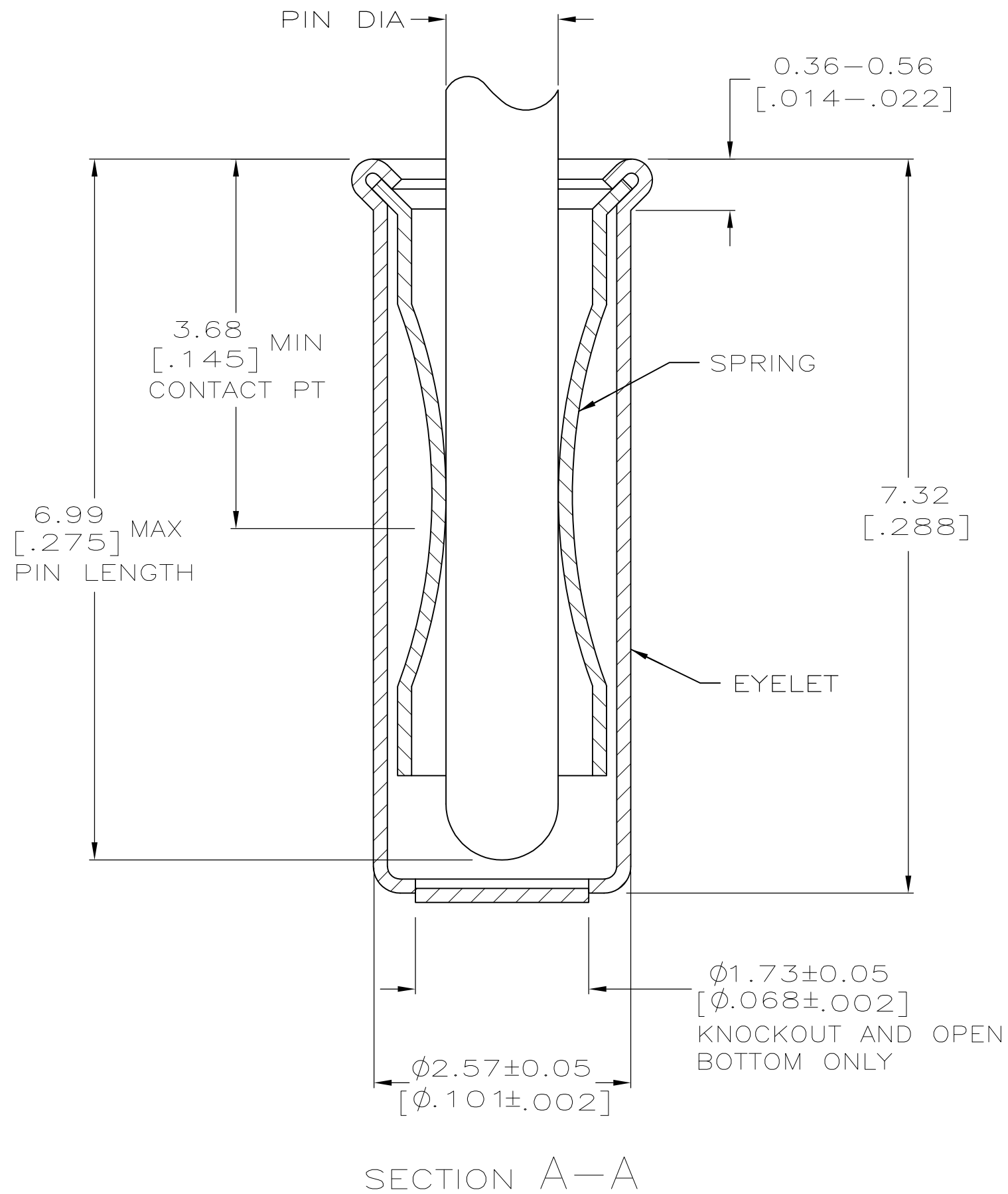
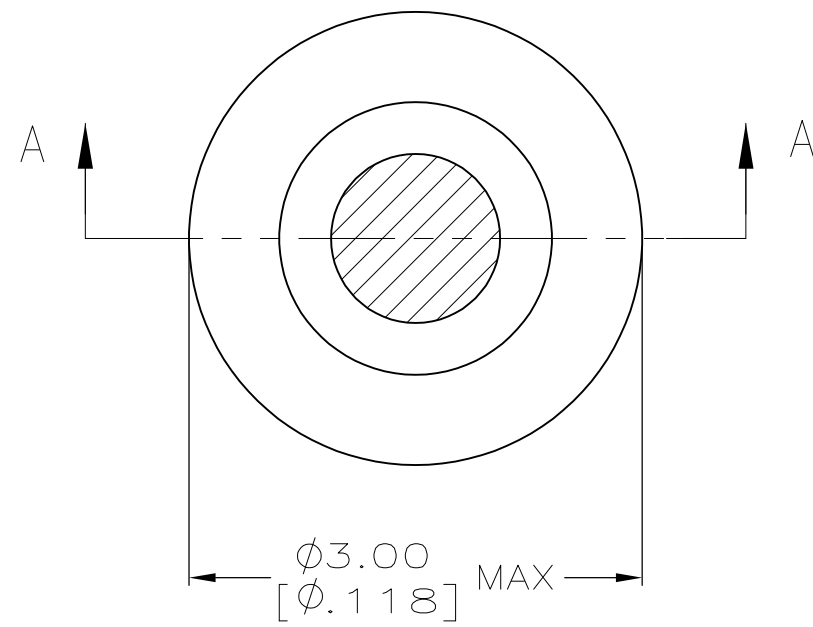
Email & Skype: info@chipsmall.com Web: www.chipsmall.com

Address: A1208, Overseas Decoration Building, #122 Zhenhua RD., Futian, Shenzhen, China



THIS DRAWING IS UNPUBLISHED. RELEASED FOR PUBLICATION  
 © COPYRIGHT - By - ALL RIGHTS RESERVED.

LOC	DIST	REVISIONS			
P	LTR	DESCRIPTION	DATE	DWN	APVD
GP	00	AE6	REVISED PER ECO-11-004835	11MAR11	RK HMR



- ① TIN PER MIL-T-10727 OR TIN LEAD .000254 [.000100] MIN THK.
- ② GOLD PER MIL-G-45204, TYPE II, 0.00076 [.000030] MIN THK OVER NICKEL PER QQ-N-290 0.00028 [.000011] MIN THK ON CONTACT AREA.
- ③ GOLD FLASH PER MIL-G-45204, TYPE II, 0.13 $\mu$ m [.000005] MIN THK. OVER NICKEL PLATE PER QQ-N-290 0.51 $\mu$ m-1.52 $\mu$
- 4. RECOMMENDED HOLE SIZE, PLATED OR UNPLATED:  
 MACHINE INSERTION: 2.56 $\pm$ 0.08 [.101 $\pm$ .003]  
 HAND INSERTION: 2.62<sup>+0.10</sup>/<sub>-0.00</sub> [.103<sup>+0.004</sup>/<sub>-0.000</sub>]
- 5. APPLICATION TOOL PART NUMBER:  
 MACHINE NO. 682127-6  
 INSERTION HEAD NO. 682039-5
- ⑥ TO INSURE PROPER SPRING TENSION DO NOT EXCEED A 0.05 [.002] DIFFERENCE IN PIN DIA WHEN CHANGING TO A SMALLER PIN.
- 7. BOTTOM PLUG KNOCKOUT TOOL PART NUMBER 69729 WITH TIP PART NUMBER 69728-3.
- ⑧ TIN PER ASTM B 545, 0.00254 [.000100] MIN THK.
- ⑨ MATERIAL: SPRING: BERYLLIUM COPPER, QQ-C-533.  
 EYELET: COPPER, QQ-C-576.

THIS DRAWING IS A CONTROLLED DOCUMENT.	DWN	20SEP05	TE Connectivity		
	R. TALLEY	8-22-91	MINIATURE SPRING SOCKET ASSEMBLY		
	CHK R. MILLER		SERIES 5		
	APVD		SIZE	CAGE CODE	DRAWING NO
	PRODUCT SPEC		A2	00779	C=50871
	APPLICATION SPEC		SCALE	SHEET	REV
			20:1	1 of 1	AE6
			RESTRICTED TO		
			CUSTOMER DRAWING		

	CLOSED	1.07-1.24 [.042-.049]	TIN ⑧	TIN ⑧	6-50871-8
	CLOSED	1.07-1.24 [.042-.049]	TIN ⑧	TIN ①	3-50871-0
SUPSD BY 1-50871-4		1.27-1.45 [.050-.057]		GOLD ②	2-50871-8
SUPSD BY 50871-5	CLOSED	1.07-1.24 [.042-.049]			2-50871-7
OBSOLETE					2-50871-6
	KNOCKOUT		TIN ①	TIN ①	2-50871-5
OBSOLETE	OPEN				2-50871-4
OBSOLETE					2-50871-3
	CLOSED	1.42-1.65 [.056-.065]	GOLD ③		2-50871-2
OBSOLETE	KNOCKOUT		TIN ①	GOLD ②	2-50871-1
	OPEN		TIN ①		1-50871-9
OBSOLETE			GOLD ③		1-50871-8
OBSOLETE					1-50871-7
OBSOLETE	CLOSED	1.27-1.45 [.050-.057]	TIN ①	TIN ①	1-50871-4
	OPEN		GOLD ③	GOLD ②	1-50871-3
	CLOSED				1-50871-0
	OPEN		TIN ①	TIN ①	50871-8
OBSOLETE					50871-6
	CLOSED				50871-5
	KNOCKOUT	1.07-1.24 [.042-.049]	GOLD ③		50871-4
	OPEN		TIN ①	GOLD ②	50871-3
OBSOLETE			GOLD ③		50871-1
					50871
	BOTTOM TYPE	RECOMMENDED PIN DIA ⑥	EYELET	SPRING	PART NO
			FINISH		

DIMENSIONS: mm [INCHES]		TOLERANCES UNLESS OTHERWISE SPECIFIED:		NAME	
0 PLC	± -	0 PLC	± -	R. TALLEY	
1 PLC	± -	1 PLC	± -	R. MILLER	
2 PLC	± 0.20 [.008]	2 PLC	± 0.20 [.008]	APVD	
3 PLC	± -	3 PLC	± -	PRODUCT SPEC	
4 PLC	± -	4 PLC	± -	APPLICATION SPEC	
ANGLES	± -	ANGLES	± -	WEIGHT	
FINISH		FINISH		SCALE	
				20:1	