



Chipsmall Limited consists of a professional team with an average of over 10 year of expertise in the distribution of electronic components. Based in Hongkong, we have already established firm and mutual-benefit business relationships with customers from,Europe,America and south Asia,supplying obsolete and hard-to-find components to meet their specific needs.

With the principle of "Quality Parts,Customers Priority,Honest Operation,and Considerate Service",our business mainly focus on the distribution of electronic components. Line cards we deal with include Microchip,ALPS,ROHM,Xilinx,Pulse,ON,Everlight and Freescale. Main products comprise IC,Modules,Potentiometer,IC Socket,Relay,Connector.Our parts cover such applications as commercial,industrial, and automotives areas.

We are looking forward to setting up business relationship with you and hope to provide you with the best service and solution. Let us make a better world for our industry!



Contact us

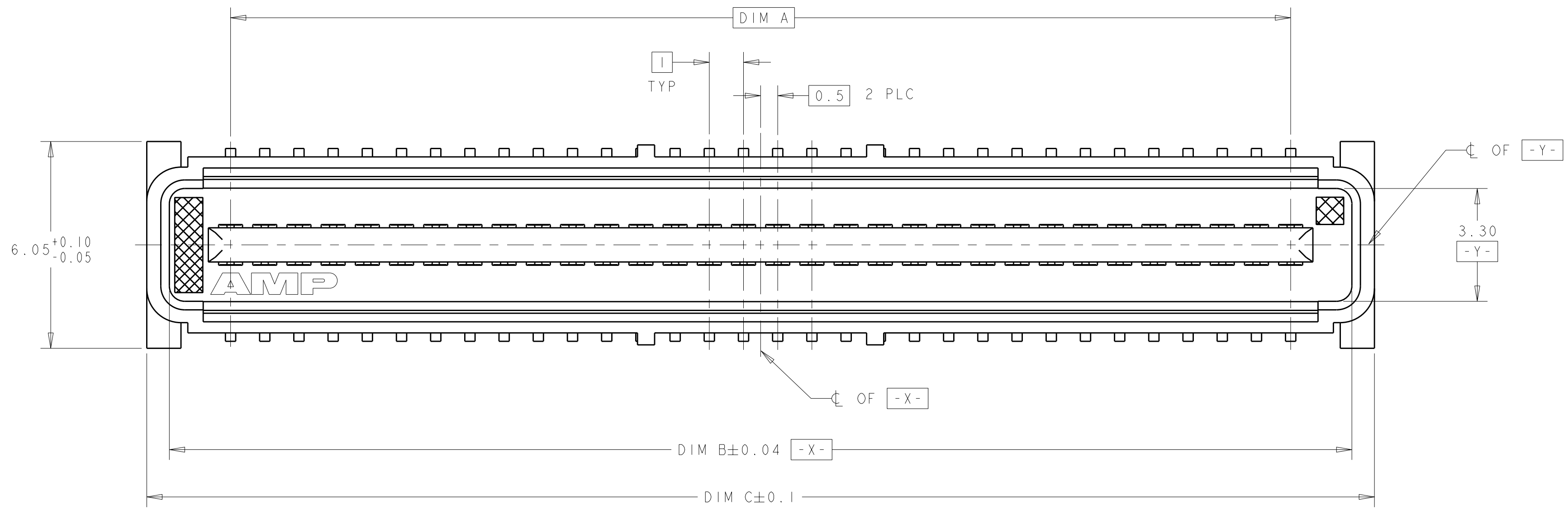
Tel: +86-755-8981 8866 Fax: +86-755-8427 6832

Email & Skype: info@chipsmall.com Web: www.chipsmall.com

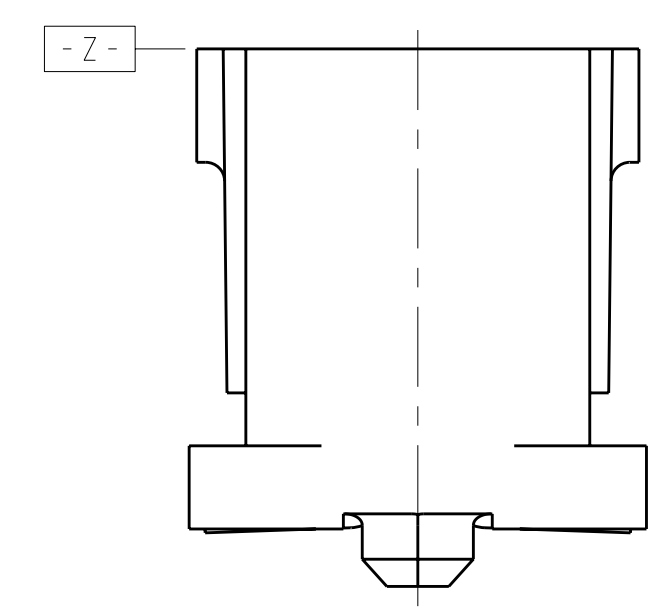
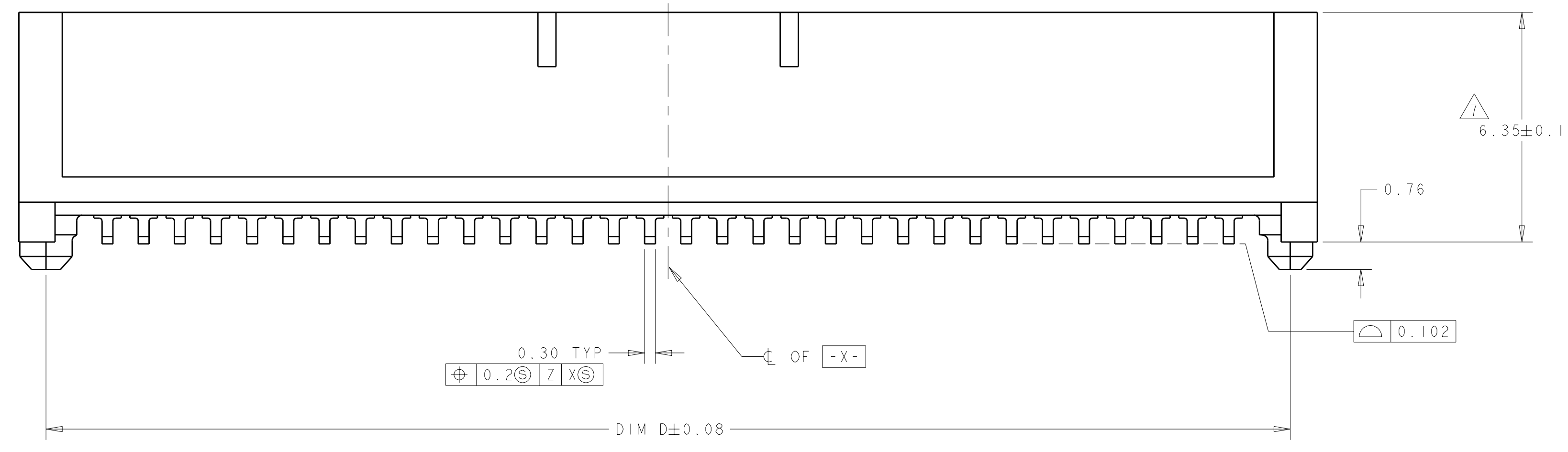
Address: A1208, Overseas Decoration Building, #122 Zhenhua RD., Futian, Shenzhen, China



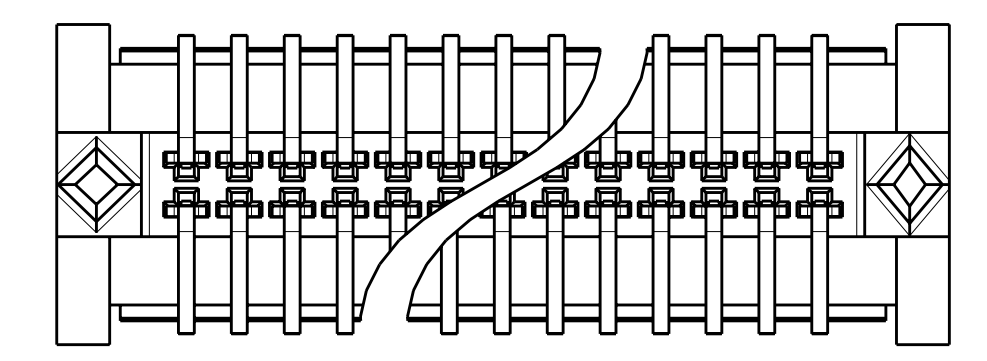
LOC	DIST	REV	DATE	BY	CHK	APP'D
AD	00	0	30SEP2004	BC	RW	
		A	16SEP2005	BC	RW	
		B	10JUL2008	DH	DB	
		B1	12SEP2009	AEG	HM	



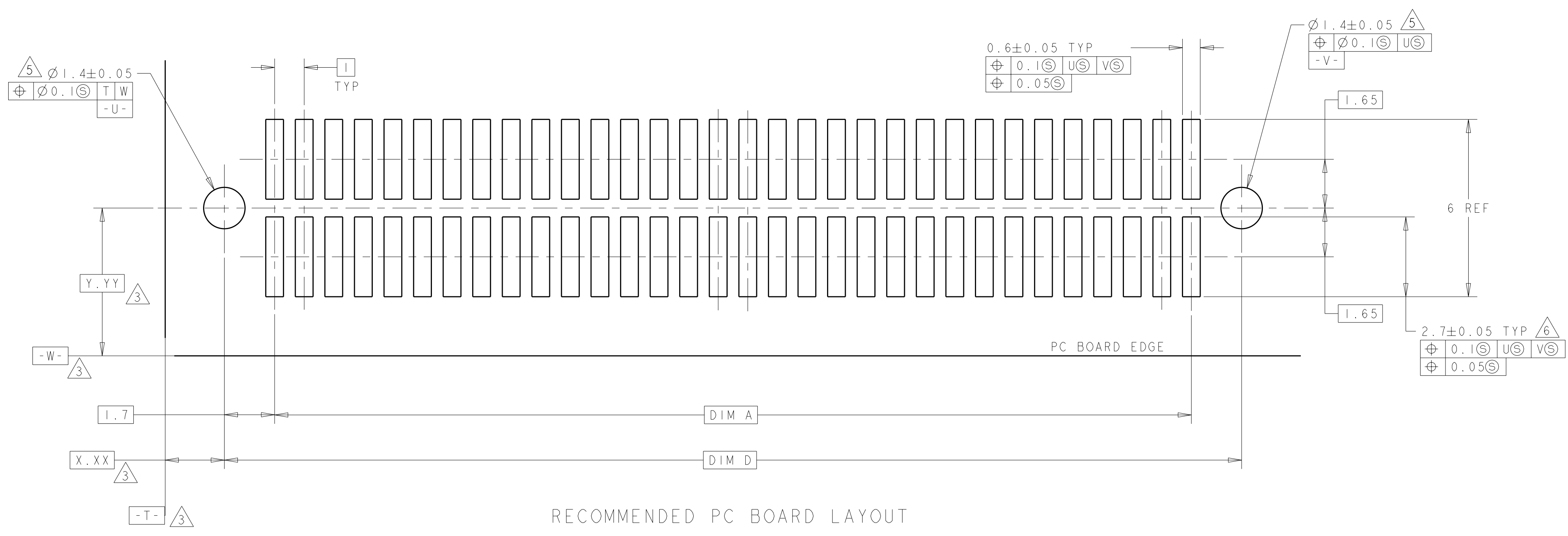
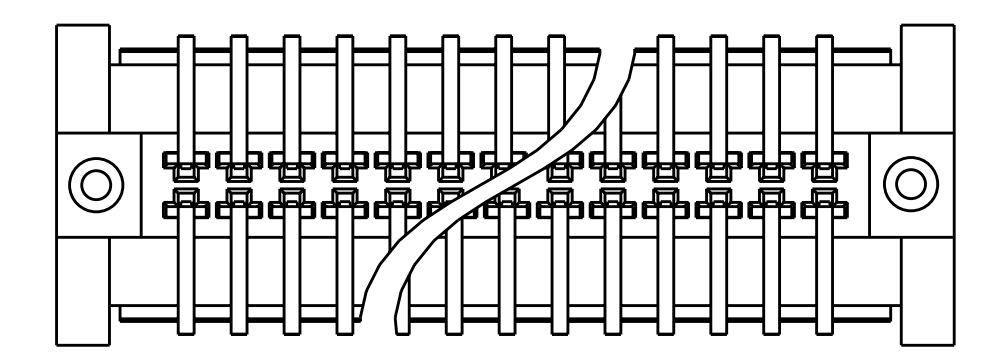
- 1 HOUSING MATERIAL: LIQUID CRYSTAL POLYMER. COLOR; BLACK. CONTACT MATERIAL: PHOSPHOR BRONZE.
- 2 CONTACT FINISH: NICKEL UNDERPLATE ALL OVER, MATING SURFACES PLATED TO MEET PLI PERFORMANCE REQUIREMENTS OF INDUSTRY SPECIFICATION EIA-700AAAB, SOLDER TAILS PLATED TIN.
- 3 DATUM LOCATIONS AND BASIC DIMENSIONS TO BE ESTABLISHED BY THE CUSTOMER. CONSULT AMP ENGINEERING WHEN PLACING MULTIPLE CONNECTORS ON A PC BOARD.
- 4 PACKAGED IN TAPE ON REELS PER EIA-481.
- 5 1.5 MIN DIAMETER HOLE SHOULD BE USED IF USING POST STYLE "A" AND PLACING ON PCB WITH VACUUM PLACEMENT EQUIPMENT.
- 6 SHORTER SOLDER LANDS MAY BE USED PER EIA 700AAAB, HOWEVER 2.7 LENGTH ASSURES OPTIMUM SOLDER FILLET REGARDLESS OF MANUFACTURER OF CONNECTOR.
- 7 REFERRED TO AS DIM N IN EIA 700AAAB SPECIFICATION.
- 8 CONTACT FINISH: 0.00381 MINIMUM MATTE TIN PER ASTM B 545 ON SOLDER AREA, 0.00127 MINIMUM GOLD PER ASTM B 488 ON MATING AREA, BOTH OVER 0.00127 MINIMUM NICKEL PER SAE-AMS-QQ-N-290 ON ENTIRE CONTACT.
- 9 SQUARE AND DIAMOND SHAPED POSTS
- 10 ROUND SHAPED POSTS



9 STYLE A POSTS



10 STYLE B POSTS



RECOMMENDED PC BOARD LAYOUT

POST STYLE	FINISH	DIM D	DIM C	DIM B	DIM A	STACK HGTS	POS	PART NO
10	8	44.4	45.9	44.58	41	8	84	3-5120525-2
10	8	34.4	35.9	34.58	31	8	64	3-5120525-1
10	2	44.4	45.9	44.58	41	8	84	2-5120525-2
10	2	34.4	35.9	34.58	31	8	64	2-5120525-1
9	8	44.4	45.9	44.58	41	8	84	1-5120525-2
9	8	34.4	35.9	34.58	31	8	64	1-5120525-1
9	2	44.4	45.9	44.58	41	8	84	5120525-2
9	2	34.4	35.9	34.58	31	8	64	5120525-1

OBsolete

<p>9 PLC ±</p> <p>1 PLC ±0.03</p> <p>5 PLC ±0.003</p> <p>4 PLC ±</p> <p>ANGLES ±</p> <p>FINISH ±</p> <p>SEE TABLE</p>	<p>TOLERANCES UNLESS OTHERWISE SPECIFIED:</p> <p>9 PLC ±</p> <p>1 PLC ±0.03</p> <p>5 PLC ±0.003</p> <p>4 PLC ±</p> <p>ANGLES ±</p> <p>FINISH ±</p> <p>SEE TABLE</p>	<p>DIMENSIONS: mm</p> <p>9 PLC ±</p> <p>1 PLC ±0.03</p> <p>5 PLC ±0.003</p> <p>4 PLC ±</p> <p>ANGLES ±</p> <p>FINISH ±</p> <p>SEE TABLE</p>	<p>30SEP04</p> <p>30SEP04</p> <p>30SEP04</p> <p>30SEP04</p> <p>502-1079</p> <p>114-25045</p> <p>30SEP04</p> <p>30SEP04</p>	<p>Tyco Electronics</p> <p>Tyco Electronics Corporation Harrisburg, PA 17105-3608</p> <p>PLUG ASSY, 1.0mm FH (IEEE1386) CONNECTOR</p> <p>114-25045</p> <p>00779</p> <p>SCALE 10:1</p>	<p>RESTRICTED TO</p> <p>REV B1</p>
---	---	---	--	--	------------------------------------