



Chipsmall Limited consists of a professional team with an average of over 10 year of expertise in the distribution of electronic components. Based in Hongkong, we have already established firm and mutual-benefit business relationships with customers from,Europe,America and south Asia,supplying obsolete and hard-to-find components to meet their specific needs.

With the principle of “Quality Parts,Customers Priority,Honest Operation,and Considerate Service”,our business mainly focus on the distribution of electronic components. Line cards we deal with include Microchip,ALPS,ROHM,Xilinx,Pulse,ON,Everlight and Freescale. Main products comprise IC,Modules,Potentiometer,IC Socket,Relay,Connector.Our parts cover such applications as commercial,industrial, and automotives areas.

We are looking forward to setting up business relationship with you and hope to provide you with the best service and solution. Let us make a better world for our industry!



Contact us

Tel: +86-755-8981 8866 Fax: +86-755-8427 6832

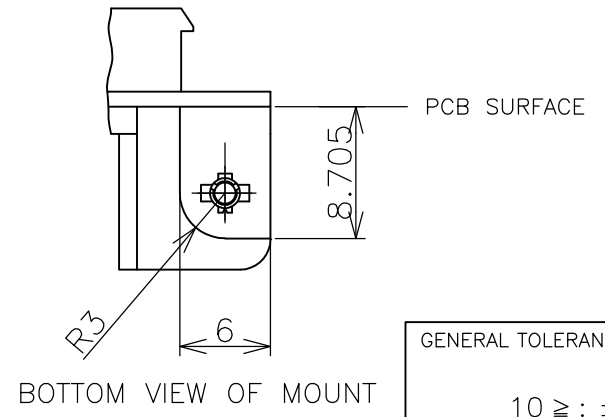
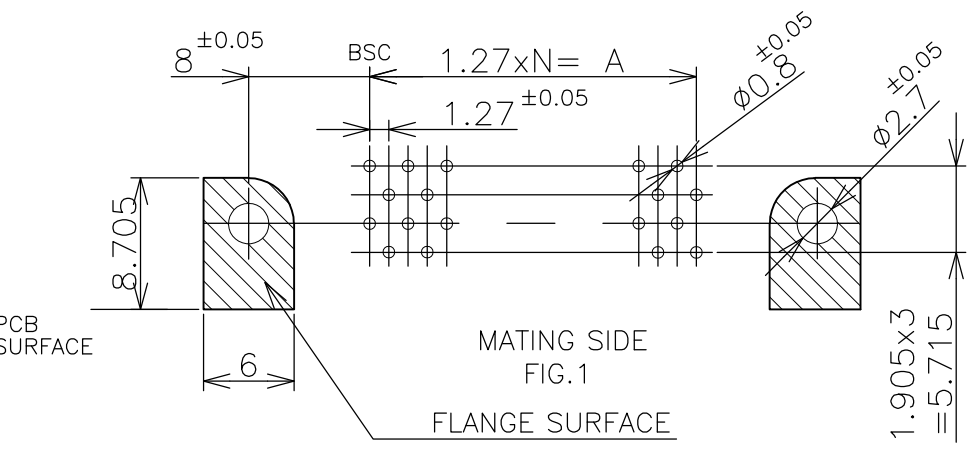
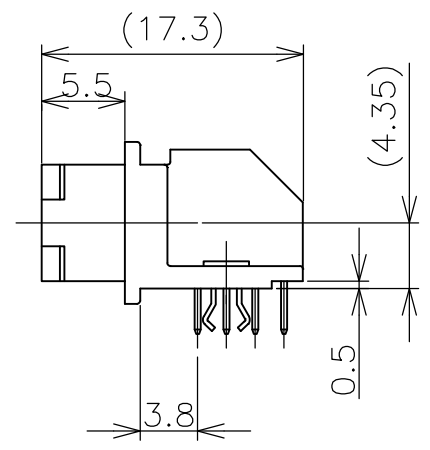
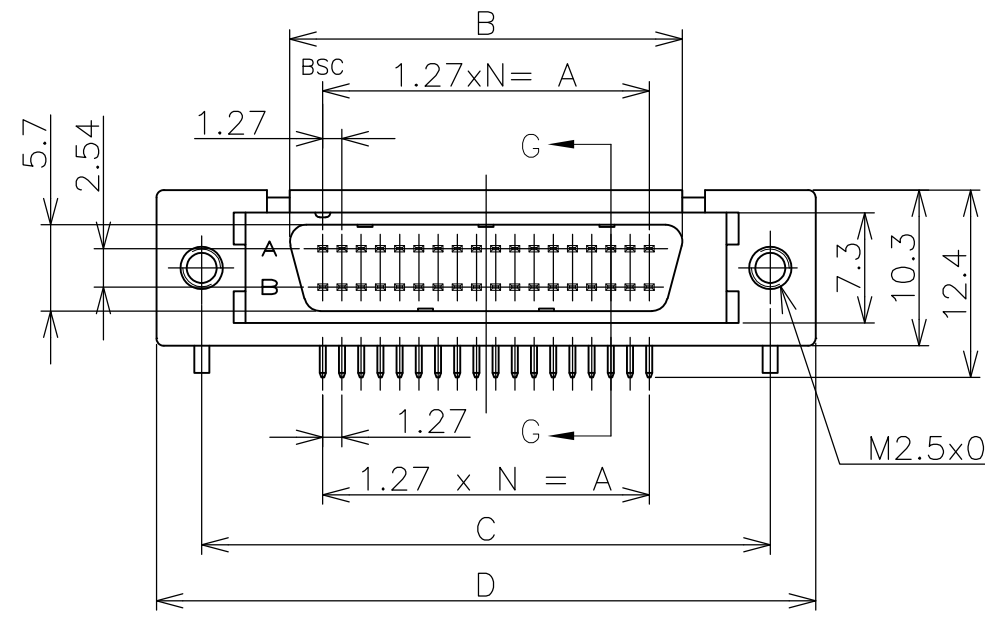
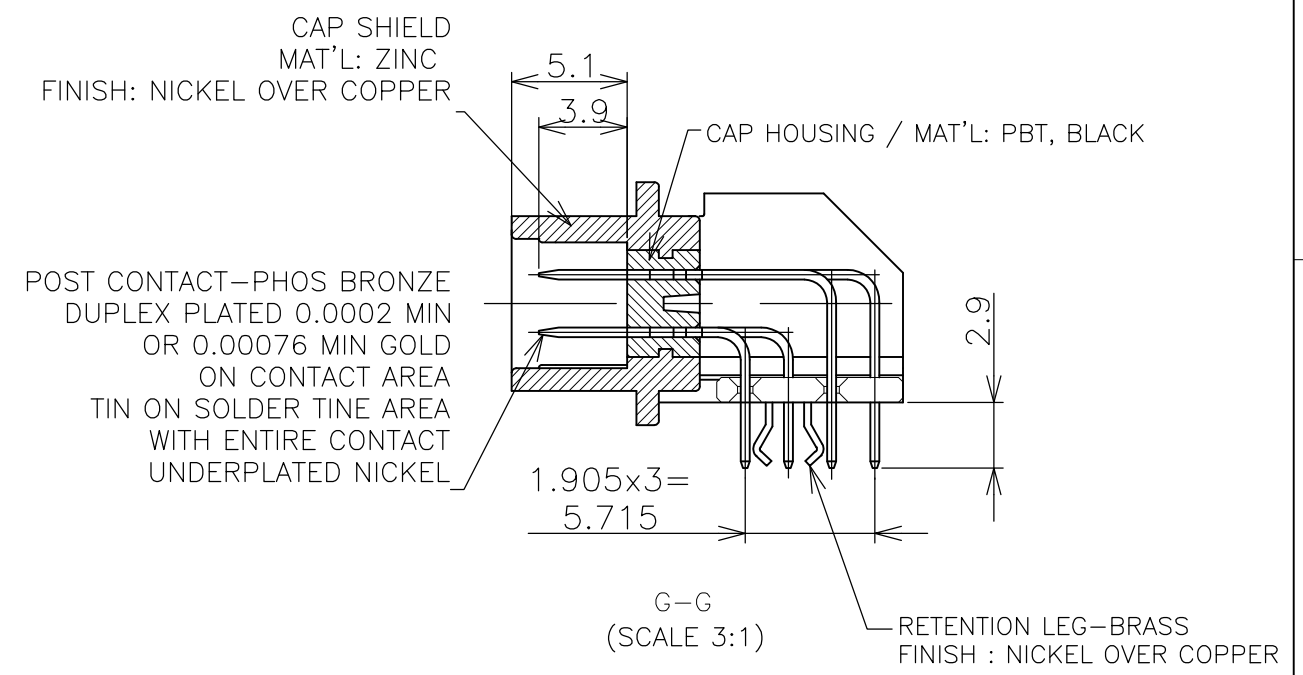
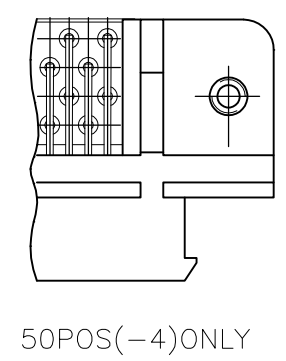
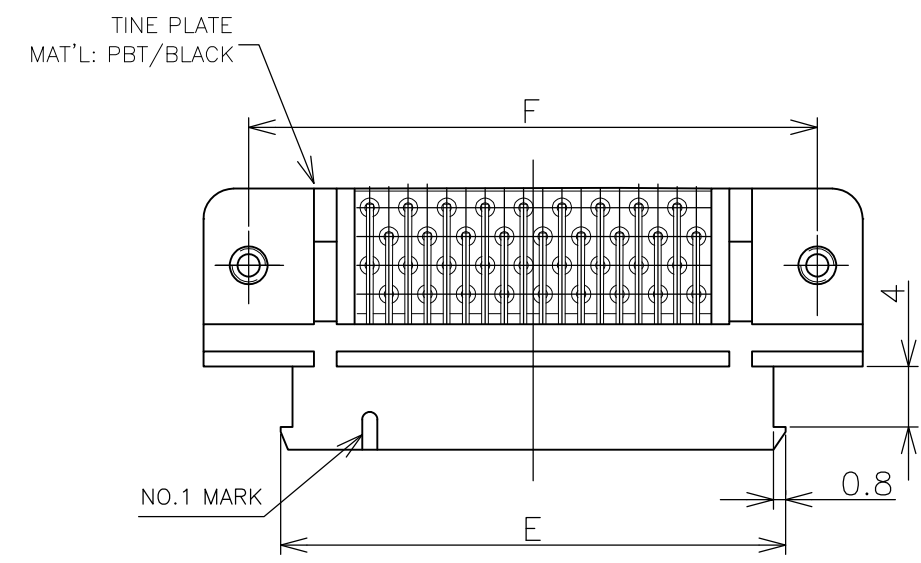
Email & Skype: info@chipsmall.com Web: www.chipsmall.com

Address: A1208, Overseas Decoration Building, #122 Zhenhua RD., Futian, Shenzhen, China



THIS DRAWING IS UNPUBLISHED. RELEASED FOR PUBLICATION APR , 1988.
 © COPYRIGHT 1988 BY TYCO ELECTRONICS CORPORATION. ALL RIGHTS RESERVED.

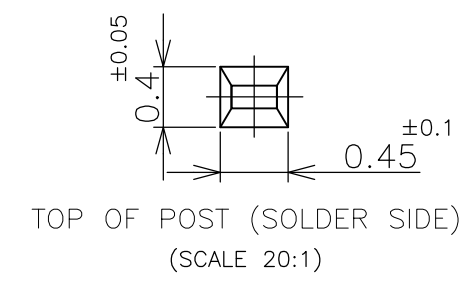
LOC	DIST	REVISIONS			
P	LTR	DESCRIPTION	DATE	DWN	APVD
J		A	REVISED ECR-05-006022	1JUL05	L.Z S.Y
		A1	REVISED PER ECO-09-024927	09NOV09	KK AEG



GENERAL TOLERANCE

10 ≥ : ±0.2
 30 ≥ > 10: ±0.25
 100 ≥ > 30: ±0.3
 ANGLES: ±3°

POS	N	A	B	C	D	E	F	GOLD THK	PART NO.
96	47	59.69	64.06	75.7	81.7	71.49	75.7	0.00076 MIN	4-2-6
68	33	41.91	46.28	57.9	63.9	53.71	57.9		2--5
50	24	30.48	34.85	46.5	52.5	42.28	46.5		4-2-4
28	13	16.51	20.88	32.5	38.5	28.31	32.5		4-2-2
20	9	11.43	15.8	27.4	33.4	23.23	27.4	0.0002 MIN	4-2-1
96	47	59.69	64.06	75.7	81.7	71.49	75.7		4--6
68	33	41.91	46.28	57.9	63.9	53.71	57.9		4--5
50	24	30.48	34.85	46.5	52.5	42.28	46.5		4--4
36	17	21.59	25.96	37.6	43.6	33.39	37.6	0.0002 MIN	4--3
28	13	16.51	20.88	32.5	38.5	28.31	32.5		4--2
20	9	11.43	15.8	27.4	33.4	23.23	27.4		4--1



- 1 P.C BOARD HOLE LAY-OUT AS SHOWN FIG.1
- 2 USED SCREW SIZE; M2.5 PANHEAD SCREW
- 3 CONNECTOR TO BE MATED;
X-5174340-X
- 4 OBSOLETE PARTS: OBSOLETE CIS STREAMLINING PER D.RENAUD/D.SINISI

THIS DRAWING IS A CONTROLLED DOCUMENT.

DWN Roy Hao 17Aug04
 CHK Steven Yao 17Aug04
 APVD I.Enomoto 17Aug04

Tyco Electronics Tyco Electronics AMP K.K. Kawasaki, Japan

NAME: POST HEADER (HORIZONTAL, WITH R/L)
 AMPLIMITE .050 SERIES II CONN. TYPE B

PRODUCT SPEC: 108-60037-1

APPLICATION SPEC

SIZE: A3 CAGE CODE: 00779 DRAWING NO: C-5174341 RESTRICTED TO

MATERIAL: SEE ABOVE FINISH: SEE ABOVE

WEIGHT

CUSTOMER DRAWING SCALE: 2:1 SHEET: 1 OF 1 REV: A1