



Chipsmall Limited consists of a professional team with an average of over 10 year of expertise in the distribution of electronic components. Based in Hongkong, we have already established firm and mutual-benefit business relationships with customers from,Europe,America and south Asia,supplying obsolete and hard-to-find components to meet their specific needs.

With the principle of “Quality Parts,Customers Priority,Honest Operation,and Considerate Service”,our business mainly focus on the distribution of electronic components. Line cards we deal with include Microchip,ALPS,ROHM,Xilinx,Pulse,ON,Everlight and Freescale. Main products comprise IC,Modules,Potentiometer,IC Socket,Relay,Connector.Our parts cover such applications as commercial,industrial, and automotives areas.

We are looking forward to setting up business relationship with you and hope to provide you with the best service and solution. Let us make a better world for our industry!



Contact us

Tel: +86-755-8981 8866 Fax: +86-755-8427 6832

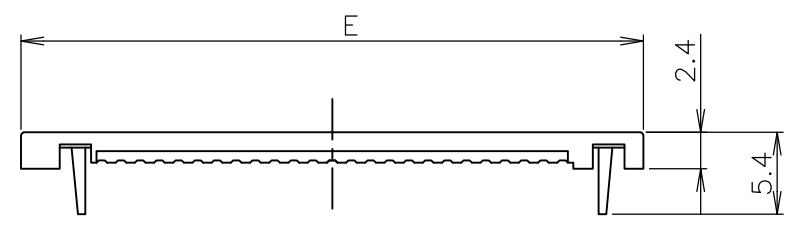
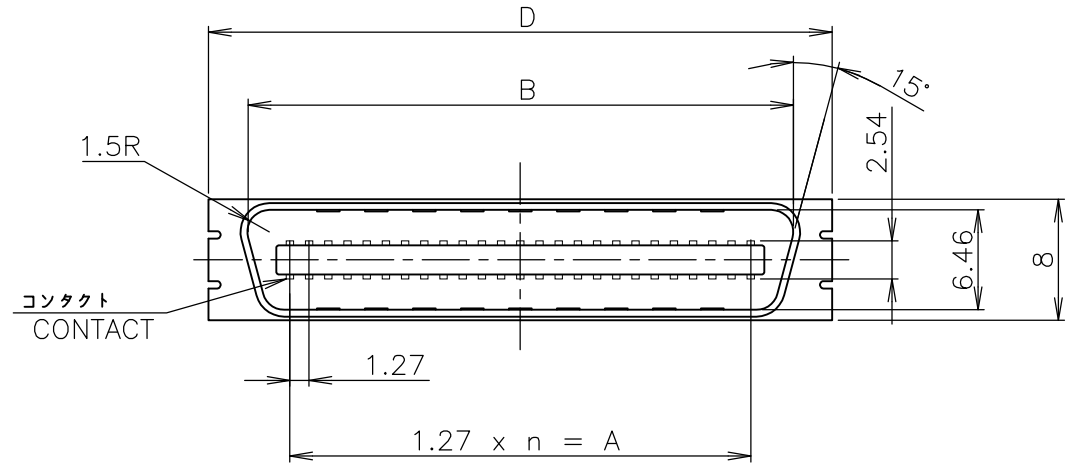
Email & Skype: info@chipsmall.com Web: www.chipsmall.com

Address: A1208, Overseas Decoration Building, #122 Zhenhua RD., Futian, Shenzhen, China

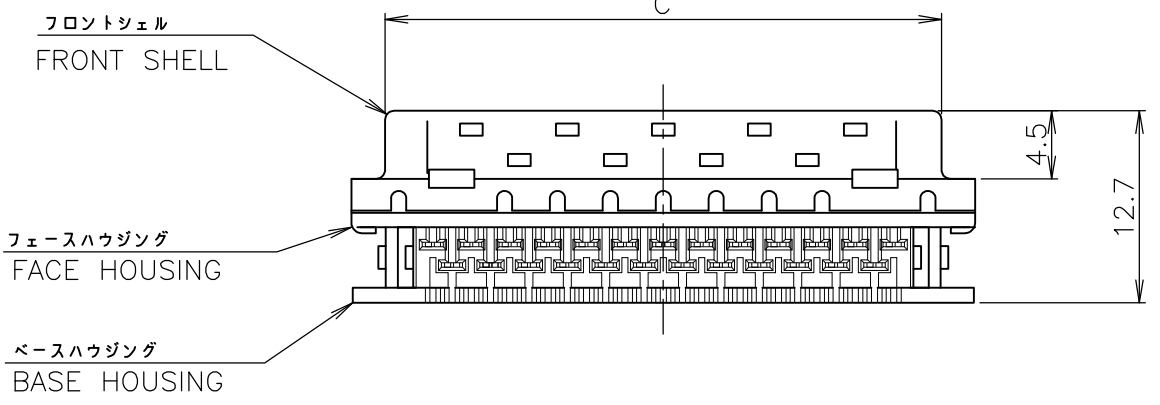
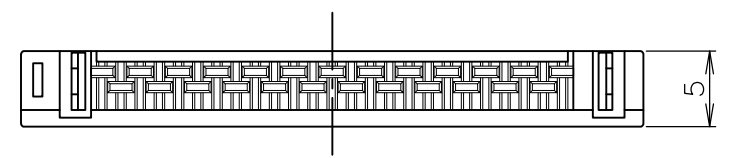


THIS DRAWING IS UNPUBLISHED. RELEASED FOR PUBLICATION
 © COPYRIGHT By - ALL RIGHTS RESERVED.

LOC	DIST	REVISIONS					
		P	LTR	DESCRIPTION	DATE	DWN	APVD
J			A1	REVISED PER ECO-11-005033	25MAR11	RK	HMR



COVER HOUSING
(2EA/KIT)



49.53	54.69	55.7	60.3	60.2	0.76u	39	80	3-5175677-0
62.23	67.45	68.4	73.0	72.9	0.76u	49	100	2-5175677-9
41.91	47.13	48.0	52.7	52.6	0.76u	33	68	2-5175677-8
30.48	35.70	36.6	41.3	41.2	0.76u	24	50	2-5175677-7
21.59	26.81	27.7	32.4	32.3	0.76u	17	36	2-5175677-5
15.24	20.46	21.4	26.0	25.9	0.76u	12	26	2-5175677-4
11.43	16.65	17.6	22.2	22.1	0.76u	9	20	2-5175677-2
7.62	12.84	13.7	18.4	18.3	0.76u	6	14	2-5175677-1
49.53	54.69	55.7	60.3	60.2	0.3 u	39	80	1-5175677-0
62.23	67.45	68.4	73.0	72.9	0.3 u	49	100	5175677-9
41.91	47.13	48.0	52.7	52.6	0.3 u	33	68	5175677-8
30.48	35.70	36.6	41.3	41.2	0.3 u	24	50	5175677-7
21.59	26.81	27.7	32.4	32.3	0.3 u	17	36	5175677-5
15.24	20.46	21.4	26.0	25.9	0.3 u	12	26	5175677-4
11.43	16.65	17.6	22.2	22.1	0.3 u	9	20	5175677-2
7.62	12.84	13.7	18.4	18.3	0.3 u	6	14	5175677-1
A	B	C	D	E	Au.PLATING	n	POS	PART No.

- NOTE
- MATERIAL & FINISH
 - *CONTACT; COPPER ALLOY Au PL.0.3 AND 0.76 MIN. AT CONTACT AREA AND TIN PL. AT I.D. AREA OVER Ni PL.
 - *FRONT SHELL; STEEL, Ni PL.
 - *HOUSING(BASE,FACE,COVER); THERMO-PLASTIC,GF,UL 94V-0. BLACK
 - APPLICABLE WIRE; PLEASE CONFIRM TO TE CONNECTIVITY ENGINEERING.

TOLERANCES UNLESS OTHERWISE SPECIFIED
 一般公差
 10 ≧ ±0.2
 30 ≧ >10 ±0.25
 100 ≧ >30 ±0.3
 ANGLES ±3°

THIS DRAWING IS A CONTROLLED DOCUMENT.

DIMENSIONS: mm	TOLERANCES UNLESS OTHERWISE SPECIFIED:
	0 PLC ±
	1 PLC ±
	2 PLC ±
	3 PLC ±
	4 PLC ±
	ANGLES ±
MATERIAL SEE NOTES	FINISH SEE NOTES

DWN COREL.WANG 19APR05	NAME STE TE Connectivity
CHK STEVEN YAO 19APR05	
APVD I.ENOMOTO 19APR05	
PRODUCT SPEC	
APPLICATION SPEC	RESTRICTED TO -
WEIGHT	

CHAMP .050 PLUG CONN. KIT			
SIZE A3	CAGE CODE 00779	DRAWING NO C-5175677	RESTRICTED TO -

WIRE RANGE 7/0.127mm(AWG#28)	INSULATION DIA 0.5~0.7 mmφ
---------------------------------	-------------------------------

CUSTOMER DRAWING	SCALE 2:1	SHEET 1 OF 1	REV A1
------------------	--------------	-----------------	-----------