



Chipsmall Limited consists of a professional team with an average of over 10 year of expertise in the distribution of electronic components. Based in Hongkong, we have already established firm and mutual-benefit business relationships with customers from,Europe,America and south Asia,supplying obsolete and hard-to-find components to meet their specific needs.

With the principle of “Quality Parts,Customers Priority,Honest Operation,and Considerate Service”,our business mainly focus on the distribution of electronic components. Line cards we deal with include Microchip,ALPS,ROHM,Xilinx,Pulse,ON,Everlight and Freescale. Main products comprise IC,Modules,Potentiometer,IC Socket,Relay,Connector.Our parts cover such applications as commercial,industrial, and automotives areas.

We are looking forward to setting up business relationship with you and hope to provide you with the best service and solution. Let us make a better world for our industry!



Contact us

Tel: +86-755-8981 8866 Fax: +86-755-8427 6832

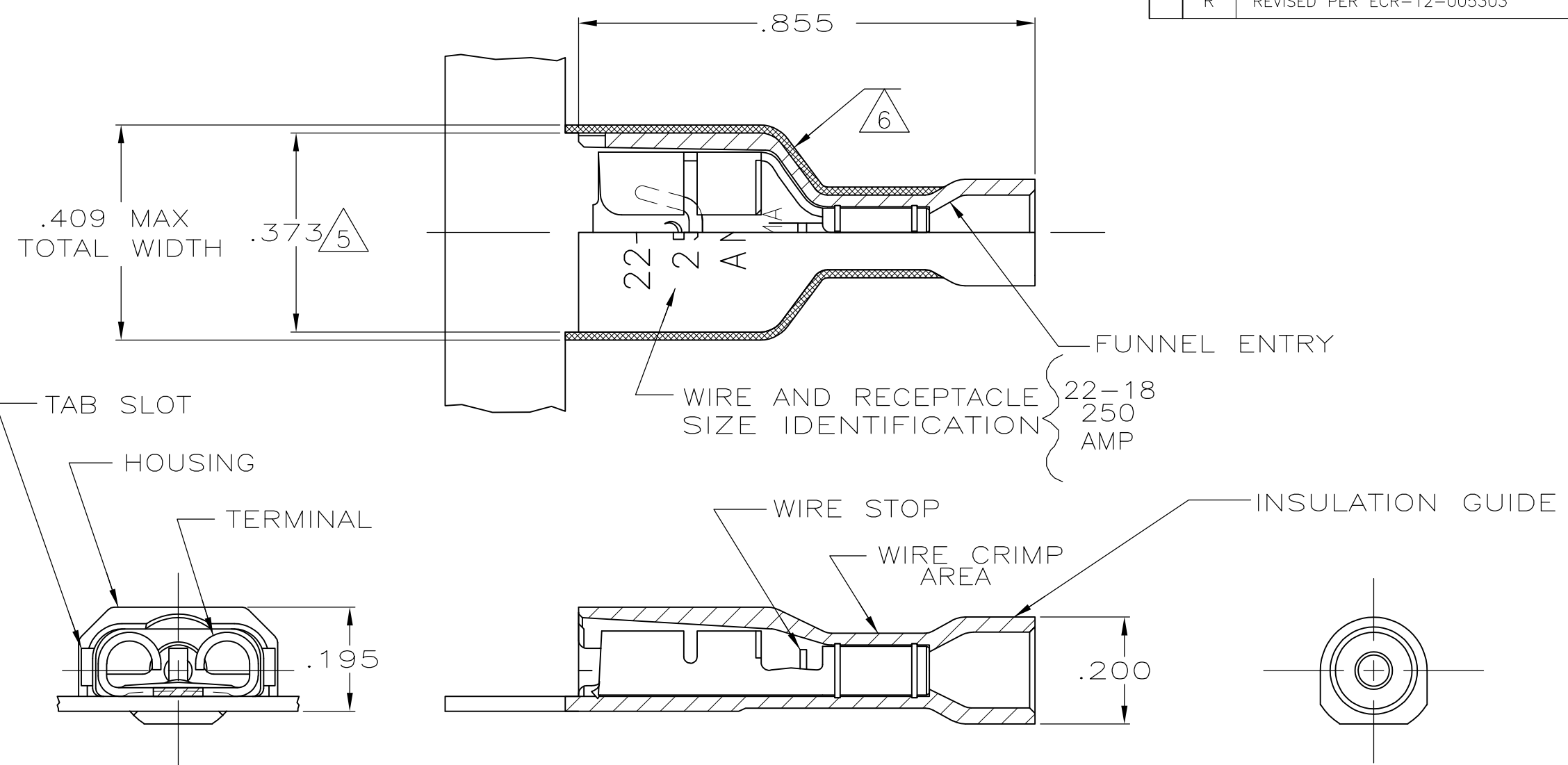
Email & Skype: info@chipsmall.com Web: www.chipsmall.com

Address: A1208, Overseas Decoration Building, #122 Zhenhua RD., Futian, Shenzhen, China



THIS DRAWING IS UNPUBLISHED. RELEASED FOR PUBLICATION
 © COPYRIGHT - By - ALL RIGHTS RESERVED.

LOC	DIST	REVISIONS					
AF	50	P	LTR	DESCRIPTION	DATE	DWN	APVD
		R		REVISED PER ECR-12-005303	18JUL12	KH	KR



- 1 MATES WITH .032±.001x.250 TAB
- 2 WIRE STRIP LENGTH .281
- 3 INSULATION SIZE .135 MAX DIA
- 4 CONTINUOUS STRIP ON REELS
- 5 DIMENSION DOES NOT INCLUDE TRIM BURR
- 6 .015 MAX CARRIER TRIM BURR PER SIDE IS ALLOWABLE IN THE SHADED AREA

STANDARD	HOUSING:NYLON,COLOR-BLACK TRANSLUCENT RECEPTACLE:#3 HARD BRASS, TIN	9-520183-2
BULK	HOUSING:NYLON,COLOR-RED TRANSLUCENT RECEPTACLE:#3 HARD BRASS, TIN	5-520183-2
STANDARD	HOUSING:NYLON,COLOR-RED TRANSLUCENT RECEPTACLE:#3 HARD PH BRONZE, TIN	2-520183-4
	HOUSING:NYLON,COLOR-RED TRANSLUCENT RECEPTACLE:#3 HARD BRASS, TIN	2-520183-2
PACKAGING	MATERIAL & FINISH	PART NO

THIS DRAWING IS A CONTROLLED DOCUMENT.		DWN P FORTNEY 10/18/88	STE TE Connectivity
		CHK JR RUTH 10/18/88	
		APVD K RANDOLPH 10/21/88	
		NAME RECEPTACLE ASSY,ULTRA-FAST, .250 SERIES,22-18 AWG	
DIMENSIONS: INCHES	TOLERANCES UNLESS OTHERWISE SPECIFIED:	PRODUCT SPEC 108-2043	
	0 PLC ± -	APPLICATION SPEC 114-2123	
	1 PLC ± -	WEIGHT -	SIZE A3
	2 PLC ± -		CAGE CODE 00779
	3 PLC ± .015		DRAWING NO C-520183
	4 PLC ± -		RESTRICTED TO -
	ANGLES ± -		SCALE 4:1
MATERIAL SEE TABLE	FINISH SEE TABLE	SHEET 1 OF 1	
CUSTOMER DRAWING		REV R	