



Chipsmall Limited consists of a professional team with an average of over 10 year of expertise in the distribution of electronic components. Based in Hongkong, we have already established firm and mutual-benefit business relationships with customers from,Europe,America and south Asia,supplying obsolete and hard-to-find components to meet their specific needs.

With the principle of “Quality Parts,Customers Priority,Honest Operation,and Considerate Service”,our business mainly focus on the distribution of electronic components. Line cards we deal with include Microchip,ALPS,ROHM,Xilinx,Pulse,ON,Everlight and Freescale. Main products comprise IC,Modules,Potentiometer,IC Socket,Relay,Connector.Our parts cover such applications as commercial,industrial, and automotives areas.

We are looking forward to setting up business relationship with you and hope to provide you with the best service and solution. Let us make a better world for our industry!



Contact us

Tel: +86-755-8981 8866 Fax: +86-755-8427 6832

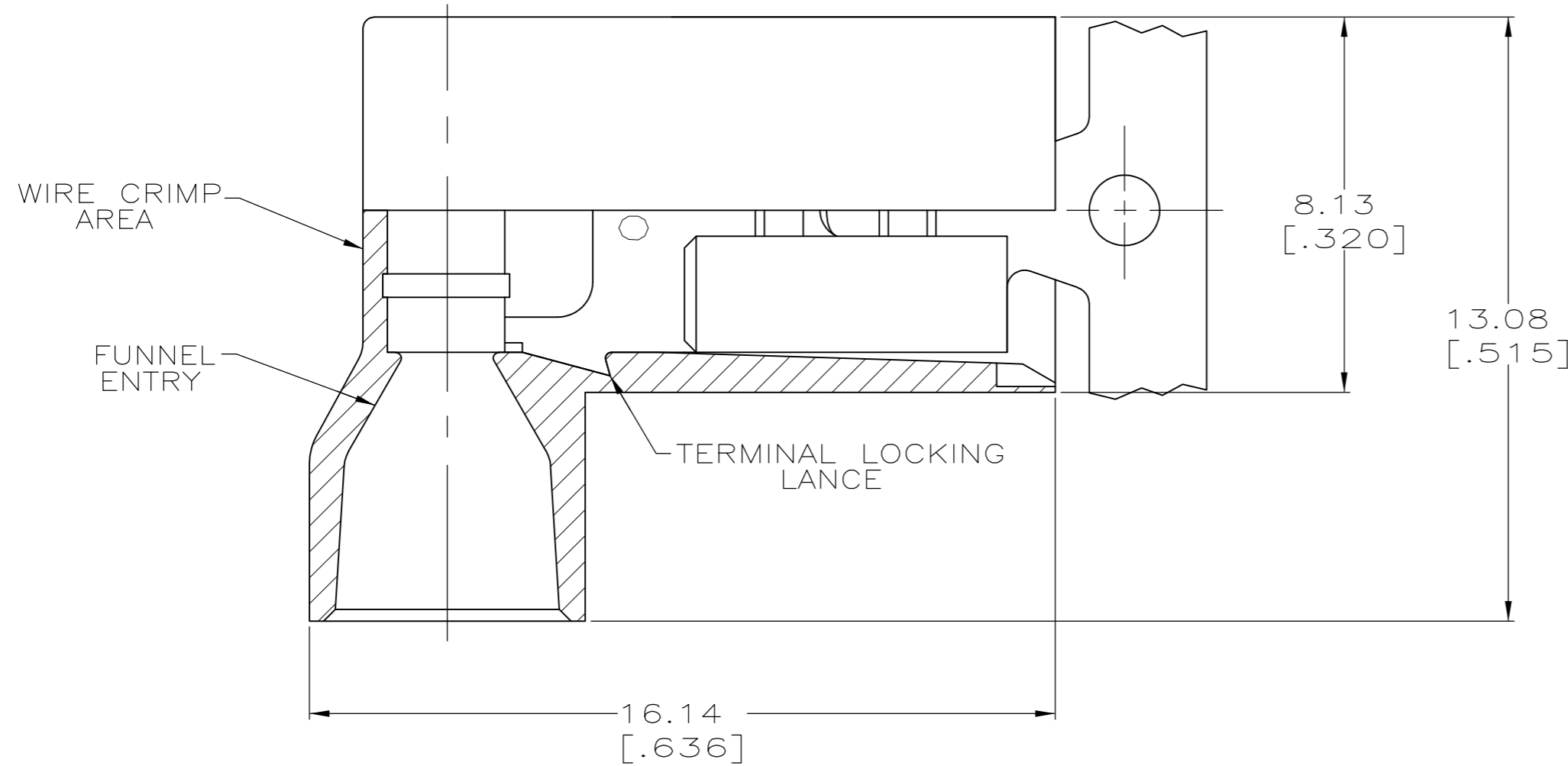
Email & Skype: info@chipsmall.com Web: www.chipsmall.com

Address: A1208, Overseas Decoration Building, #122 Zhenhua RD., Futian, Shenzhen, China

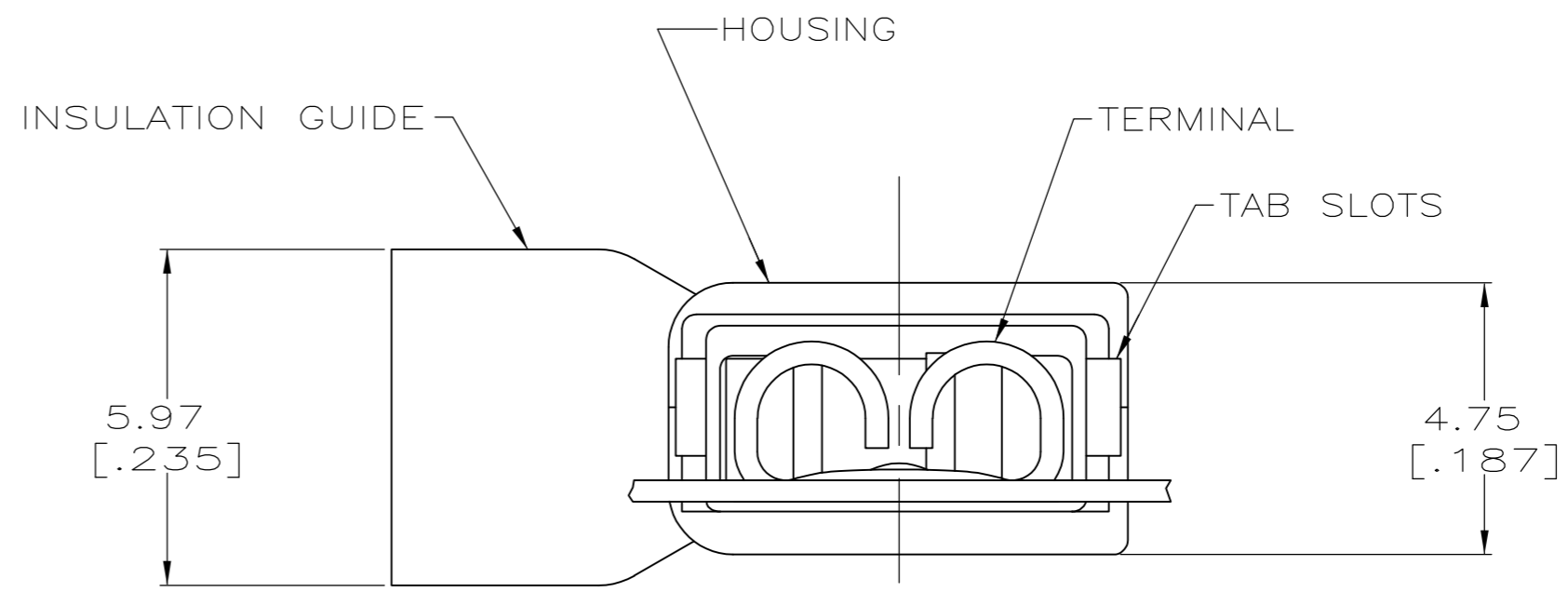
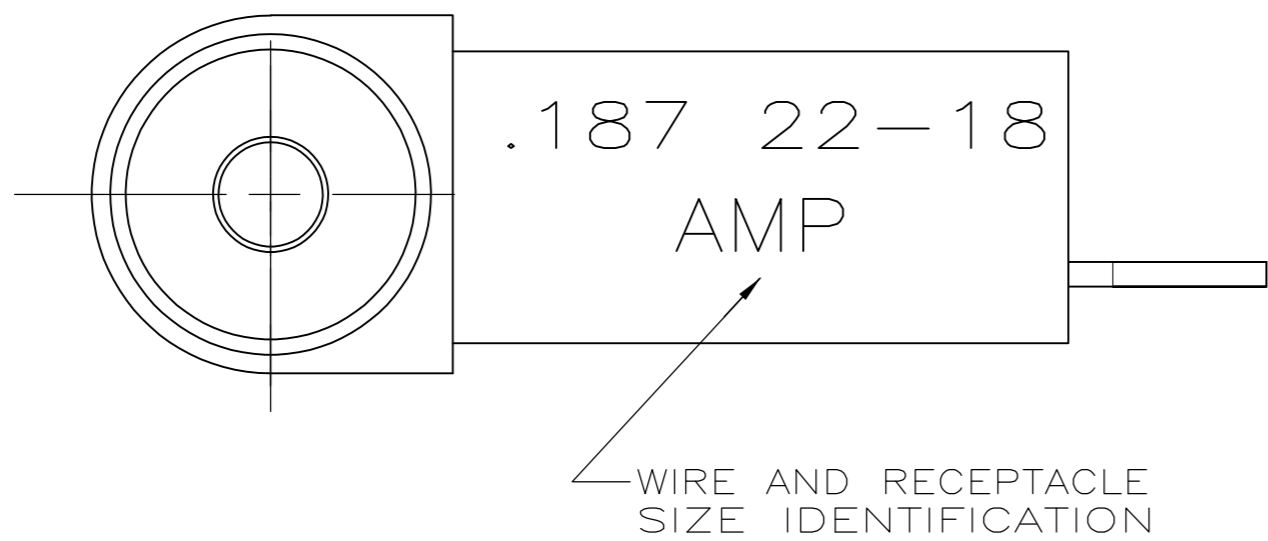


THIS DRAWING IS UNPUBLISHED. RELEASED FOR PUBLICATION
 © COPYRIGHT - By - ALL RIGHTS RESERVED.

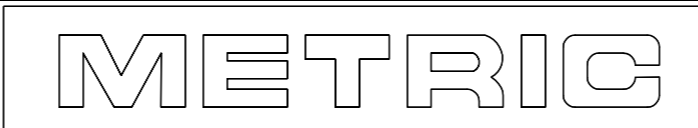
LOC		DIST		REVISIONS			
P	LTR	DESCRIPTION		DATE	DWN	APVD	
AF	50	M		REVISED PER ECR-12-005303	23JUL12	KH	KR



- 1 FITS 0.51±0.025 X 4.75 [.020±.001 X .187] TAB
- 2 WIRE SIZE: 0.3-0.9mm² [22-18 AWG], STRANDED ONLY. STRIP LENGTH 7.14 [.281]
- 3 INSULATION SIZE: 4.19 [.165] MAX DIA.
- 4 CONTINUOUS STRIP.



BULK	TYPE 6/6 NYLON	RED TRANSLUCENT BLACK TRANSLUCENT RED TRANSLUCENT	0.41 [.016]#4H BRASS	TIN	5-520334-2
STANDARD					9-520334-2
PACKAGING	MATERIAL	COLOR	MATERIAL	FINISH	2-520334-2
HOUSING			TERMINAL		
PART NUMBER			PART NUMBER		
THIS DRAWING IS A CONTROLLED DOCUMENT.			DWN P FORTNEY 8/6/90	 TE Connectivity RECEPTACLE ASSEMBLY, ULTRA-FAST FLAG, 4.75 [.187] SERIES	
DIMENSIONS: mm [INCHES]			CHK MS FEHER 8/8/90		
TOLERANCES UNLESS OTHERWISE SPECIFIED:			APVD B BRATINA 8/9/90		
0 PLC ± - 1 PLC ± - 2 PLC ± 0.38 [.015] 3 PLC ± - 4 PLC ± - ANGLES ± -			NAME PRODUCT SPEC 108-2043 APPLICATION SPEC 114-2123		
MATERIAL	SEE TABLE	FINISH	WEIGHT -	SIZE A2	CAGE CODE 00779
CUSTOMER DRAWING			SCALE 8:1	DRAWING NO C=520334	RESTRICTED TO -
			SHEET 1 of 1	REV M	



520334