



Chipsmall Limited consists of a professional team with an average of over 10 year of expertise in the distribution of electronic components. Based in Hongkong, we have already established firm and mutual-benefit business relationships with customers from,Europe,America and south Asia,supplying obsolete and hard-to-find components to meet their specific needs.

With the principle of “Quality Parts,Customers Priority,Honest Operation,and Considerate Service”,our business mainly focus on the distribution of electronic components. Line cards we deal with include Microchip,ALPS,ROHM,Xilinx,Pulse,ON,Everlight and Freescale. Main products comprise IC,Modules,Potentiometer,IC Socket,Relay,Connector.Our parts cover such applications as commercial,industrial, and automotives areas.

We are looking forward to setting up business relationship with you and hope to provide you with the best service and solution. Let us make a better world for our industry!



Contact us

Tel: +86-755-8981 8866 Fax: +86-755-8427 6832

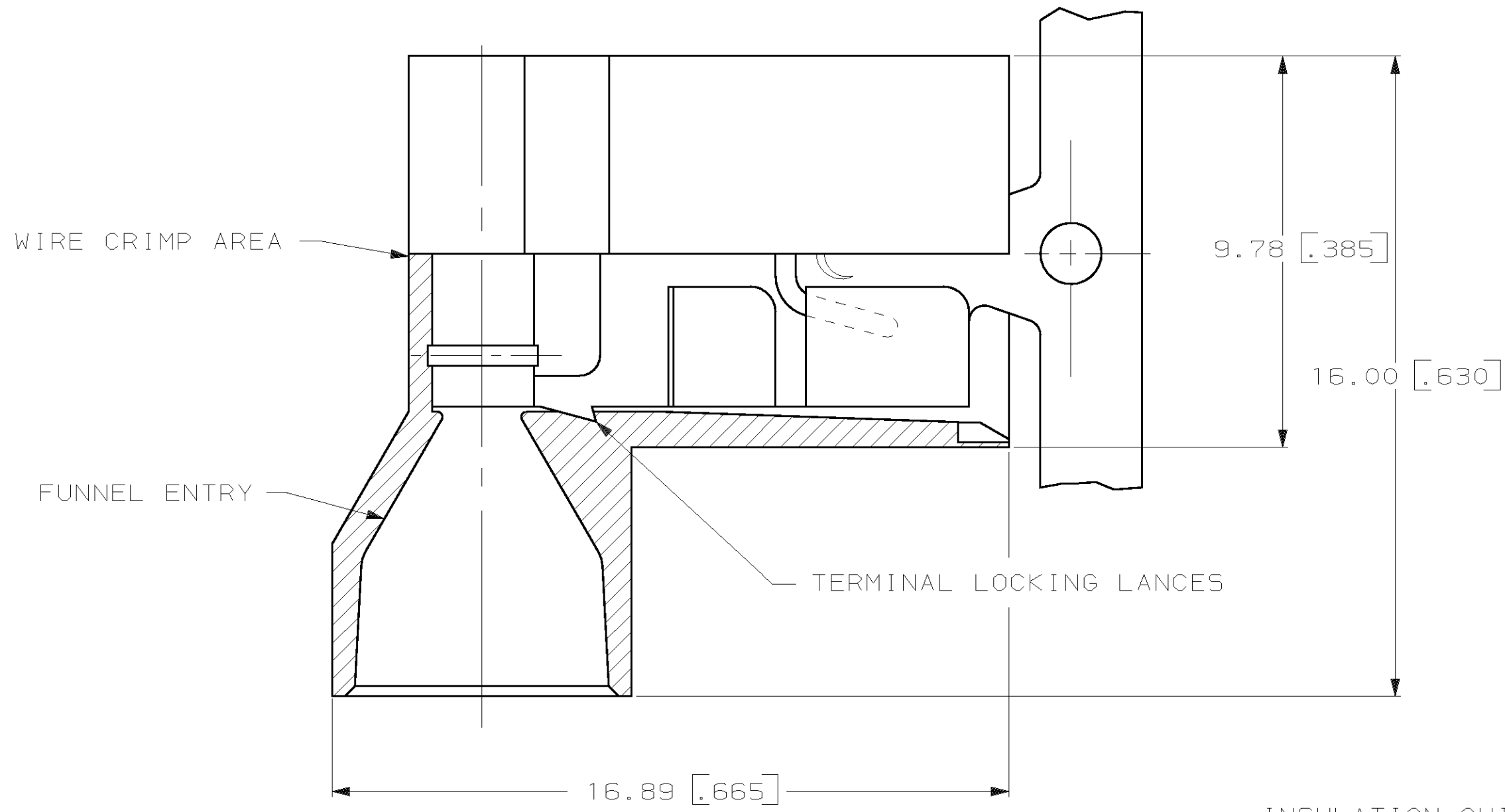
Email & Skype: info@chipsmall.com Web: www.chipsmall.com

Address: A1208, Overseas Decoration Building, #122 Zhenhua RD., Futian, Shenzhen, China

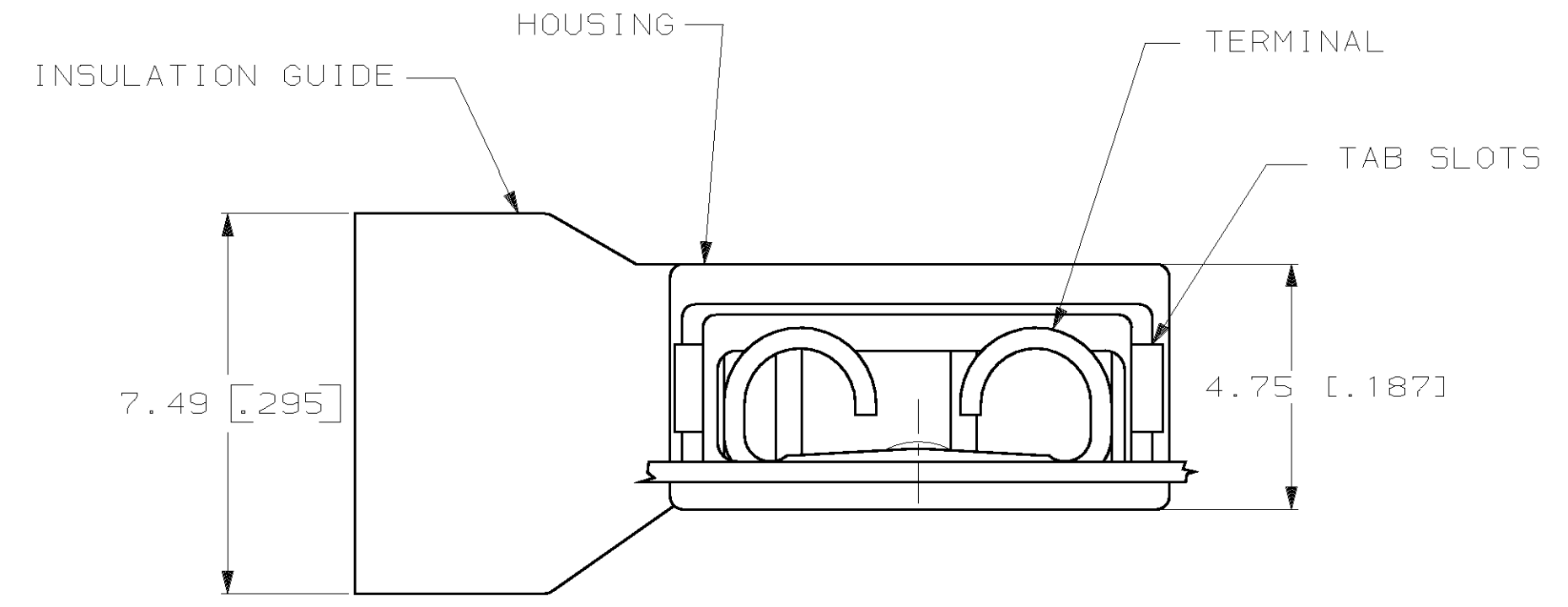
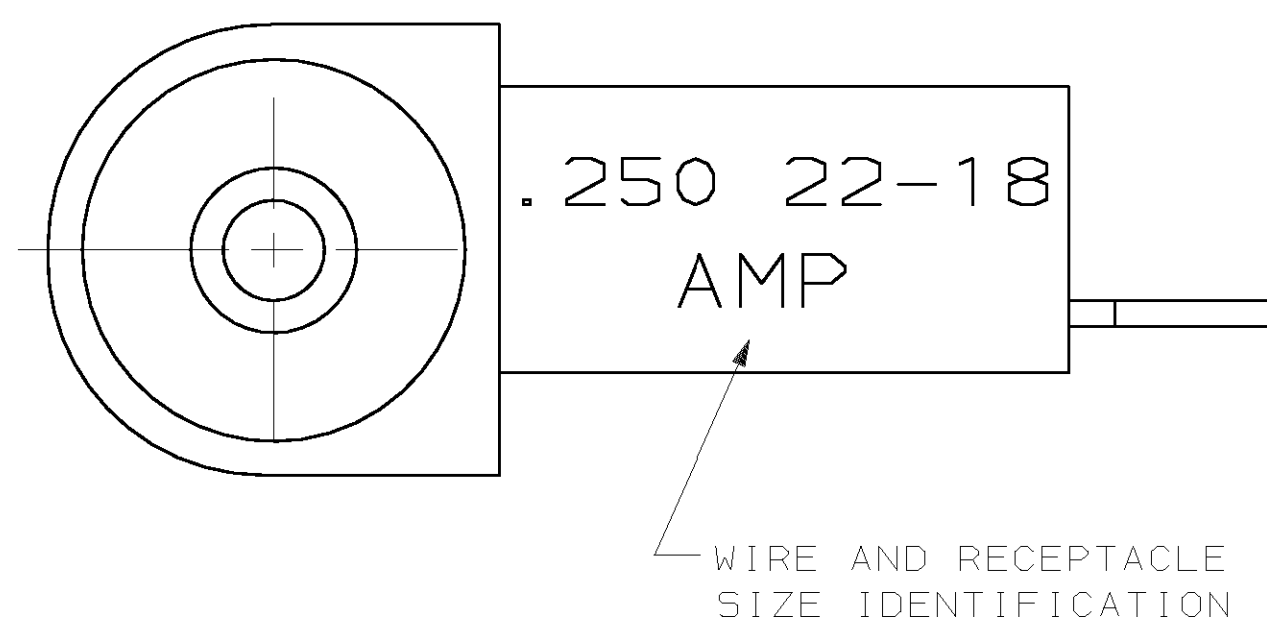


THIS DRAWING IS UNPUBLISHED. RELEASED FOR PUBLICATION
 © COPYRIGHT 19 BY AMP INCORPORATED, HARRISBURG, PA. ALL INTERNATIONAL RIGHTS RESERVED. AMP PRODUCTS MAY BE COVERED BY U.S. AND FOREIGN PATENTS AND/OR PATENTS PENDING.

| LOC | | DIST | | P | | F | | ZONE | | LTR | | REVISIONS | | | |
|-----|--|------|--|---|--|---|--|------|--|-----|--|-------------|----------------------|----------|-------|
| AF | | 50 | | | | | | | | | | DESCRIPTION | DATE | APPROVED | |
| | | | | | | | | | | | | F | REV PER OG3A-0081-99 | 9AUG99 | JR/JH |



- 1 - FITS 0.81 ±0.025 X 6.35 [0.032 ±.001 X .250] TAB
- 2 - WIRE SIZE: 0.3 - 0.9mm² [22-18 AWG] (STRANDED ONLY)
 STRIP LENGTH: ONE WIRE 7.94 [0.312]
 TWO WIRES 8.51 [0.335]
- 3 - INSULATION SIZE: 5.84 [0.230] MAX DIA.
- 4 - DIMENSIONS IN BRACKETS ARE IN INCHES OR AWG.
- 5 - REFER TO PRODUCT SPEC 108-2043 FOR PERFORMANCE DATA.
- 6 - CONTINUOUS STRIP



| | | | | | | | | | | | |
|------------------------------------------------------------------------|--|------------------|--|------------------------------|--|-------------------------------------------------|--|------------|--|--------------|--|
| RED TRANSLUCENT | | 6/6 NYLON | | TIN | | .016 BRASS | | 2-520856-2 | | | |
| FINISH | | HOUSING MATERIAL | | FINISH | | TERMINAL MATERIAL | | PART NO | | | |
| UNLESS OTHERWISE SPECIFIED DIMENSIONS ARE IN INCHES mm TOLERANCES ON : | | | | DR 8/25/86 JR RUTH | | AMP INCORPORATED Harrisburg, Pa. 17105 | | | | | |
| 2 PL DEC ± - | | | | CHK 8/25/86 G YETTER | | | | | | | |
| 3 PL DEC ± 0.38 [0.15] | | | | APPD 9/2/86 K RANDOLPH | | NAME | | | | | |
| MATERIAL | | | | APPD 9/2/86 TL SHUTTER | | .250 SERIES ULTRA-FAST FLAG RECEPTACLE ASS'Y | | | | | |
| SEE ABOVE | | | | PRODUCT SPEC 108-2043 | | SIZE | | F5CM NO | | DRAWING NO | |
| FINISH | | | | APPLICATION SPEC 114-2123 | | C | | 00779 | | 520856 | |
| SEE ABOVE | | | | WEIGHT | | SCALE | | NTS | | SHEET 1 OF 1 | |

