



Chipsmall Limited consists of a professional team with an average of over 10 year of expertise in the distribution of electronic components. Based in Hongkong, we have already established firm and mutual-benefit business relationships with customers from,Europe,America and south Asia,supplying obsolete and hard-to-find components to meet their specific needs.

With the principle of "Quality Parts,Customers Priority,Honest Operation,and Considerate Service",our business mainly focus on the distribution of electronic components. Line cards we deal with include Microchip,ALPS,ROHM,Xilinx,Pulse,ON,Everlight and Freescale. Main products comprise IC,Modules,Potentiometer,IC Socket,Relay,Connector.Our parts cover such applications as commercial,industrial, and automotives areas.

We are looking forward to setting up business relationship with you and hope to provide you with the best service and solution. Let us make a better world for our industry!



Contact us

Tel: +86-755-8981 8866 Fax: +86-755-8427 6832

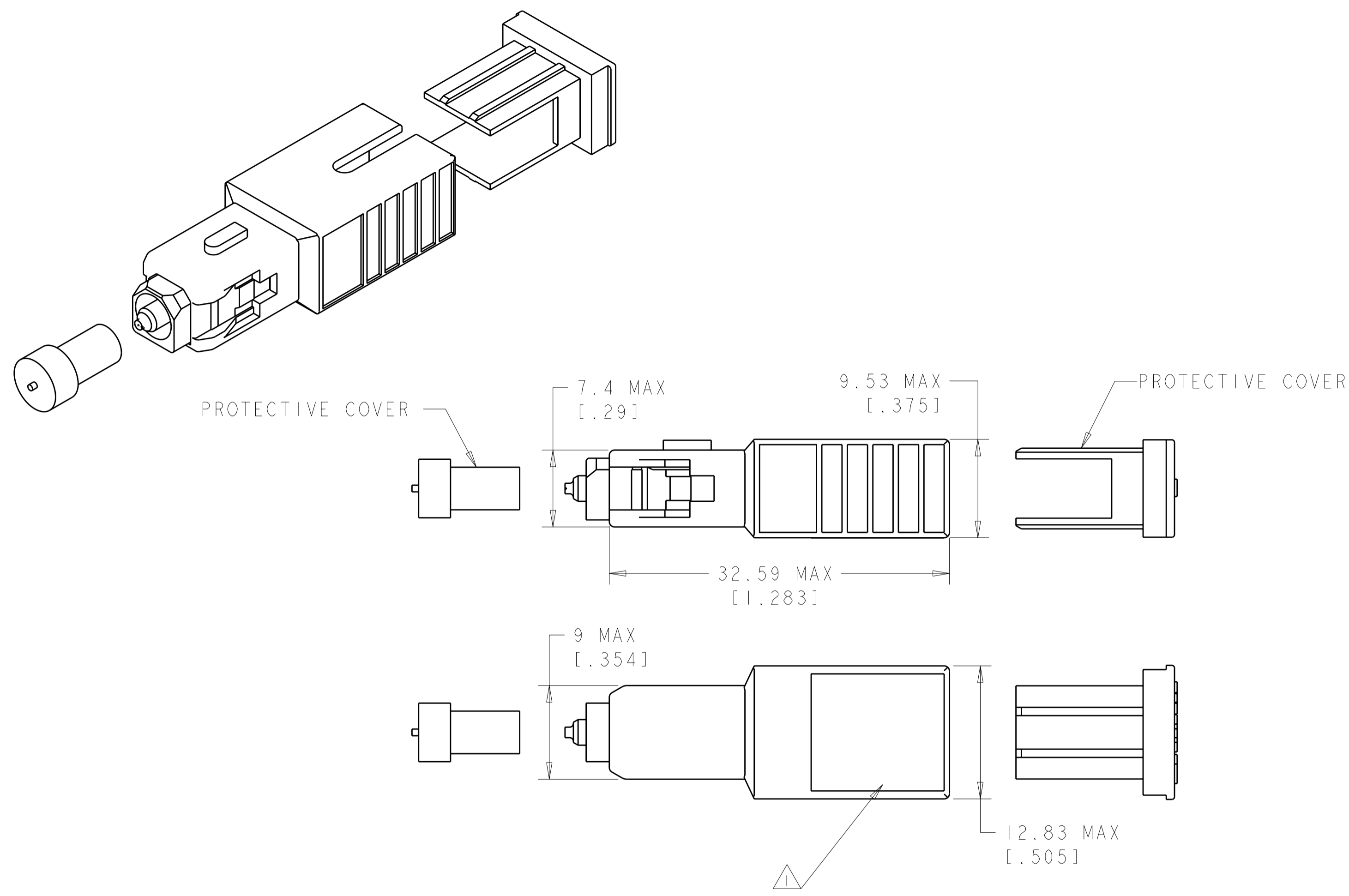
Email & Skype: info@chipsmall.com Web: www.chipsmall.com

Address: A1208, Overseas Decoration Building, #122 Zhenhua RD., Futian, Shenzhen, China



THIS DRAWING IS UNPUBLISHED. RELEASED FOR PUBLICATION 20
 © COPYRIGHT 20 ALL RIGHTS RESERVED.

LOC	DIST	REVISIONS			
P	LTR	DESCRIPTION	DATE	DWN	APVD
HG	-	B	ECR-06-019788	24AUG2006	EJH SB
		BI	REV PER ECR-11-006927	08APR2011	DCH CT



NOMINAL ATTENUATION VALUE (dB)	PART NUMBER
1	5209597-1
2	5209597-2
3	5209597-3
4	5209597-4
5	5209597-5
6	5209597-6
9	5209597-9
10	1-5209597-0
12	1-5209597-2
15	1-5209597-5
18	1-5209597-8
20	2-5209597-0
25	2-5209597-5
30	3-5209597-0

△ TE CONNECTIVITY LOGO, ATTENUATION VALUE, PART NUMBER, AND SERIAL NUMBER ARE PRINTED ON THE LABEL.

PERFORMANCE REQUIREMENTS:
 OPERATING WAVELENGTH : 1310/1550 ±25nm
 REFLECTANCE : ≤ -65dB
 OPERATING TEMPERATURE : -40°C TO +75°C
 ATTENUATION TOLERANCE, AMBIENT :
 FOR ATTENUATORS ≥ 5dB : ±10% OF NOMINAL ATTENUATION VALUE
 FOR ATTENUATORS < 5dB : ± 0.50dB
 MEASURED WITH REFERENCE QUALITY LAUNCH LEADS

THIS DRAWING IS A CONTROLLED DOCUMENT.		DWN E. HOPKINS 05DEC2005	STE TE Connectivity	
DIMENSIONS: mm [INCHES]		CHK E. HOPKINS 05DEC2005		
TOLERANCES UNLESS OTHERWISE SPECIFIED:		APVD S. BUCHTER 05DEC2005	NAME ATTENUATOR, OPTICAL, BUILDOUT SC/APC 8 DEGREE, SM, DUAL WINDOW	
0 PLC ±-		PRODUCT SPEC	SIZE A2	
1 PLC ±-		APPLICATION SPEC	CAGE CODE C-5209597	
2 PLC ±-		WEIGHT	DRAWING NO	
3 PLC ±-			RESTRICTED TO	
4 PLC ±-			SCALE 4:1	
ANGLES ±-			SHEET 1 OF 1	
FINISH			REV BI	
MATERIAL		CUSTOMER DRAWING		