



Chipsmall Limited consists of a professional team with an average of over 10 year of expertise in the distribution of electronic components. Based in Hongkong, we have already established firm and mutual-benefit business relationships with customers from,Europe,America and south Asia,supplying obsolete and hard-to-find components to meet their specific needs.

With the principle of “Quality Parts,Customers Priority,Honest Operation,and Considerate Service”,our business mainly focus on the distribution of electronic components. Line cards we deal with include Microchip,ALPS,ROHM,Xilinx,Pulse,ON,Everlight and Freescale. Main products comprise IC,Modules,Potentiometer,IC Socket,Relay,Connector.Our parts cover such applications as commercial,industrial, and automotives areas.

We are looking forward to setting up business relationship with you and hope to provide you with the best service and solution. Let us make a better world for our industry!



Contact us

Tel: +86-755-8981 8866 Fax: +86-755-8427 6832

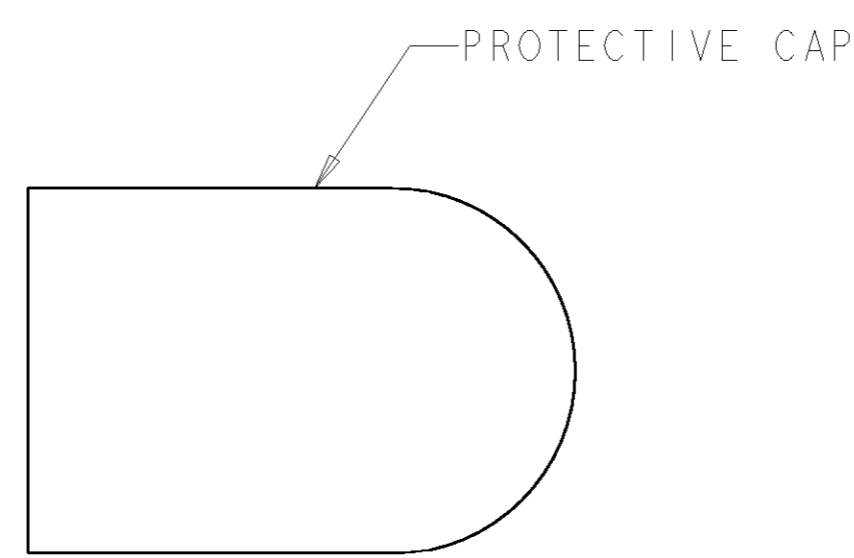
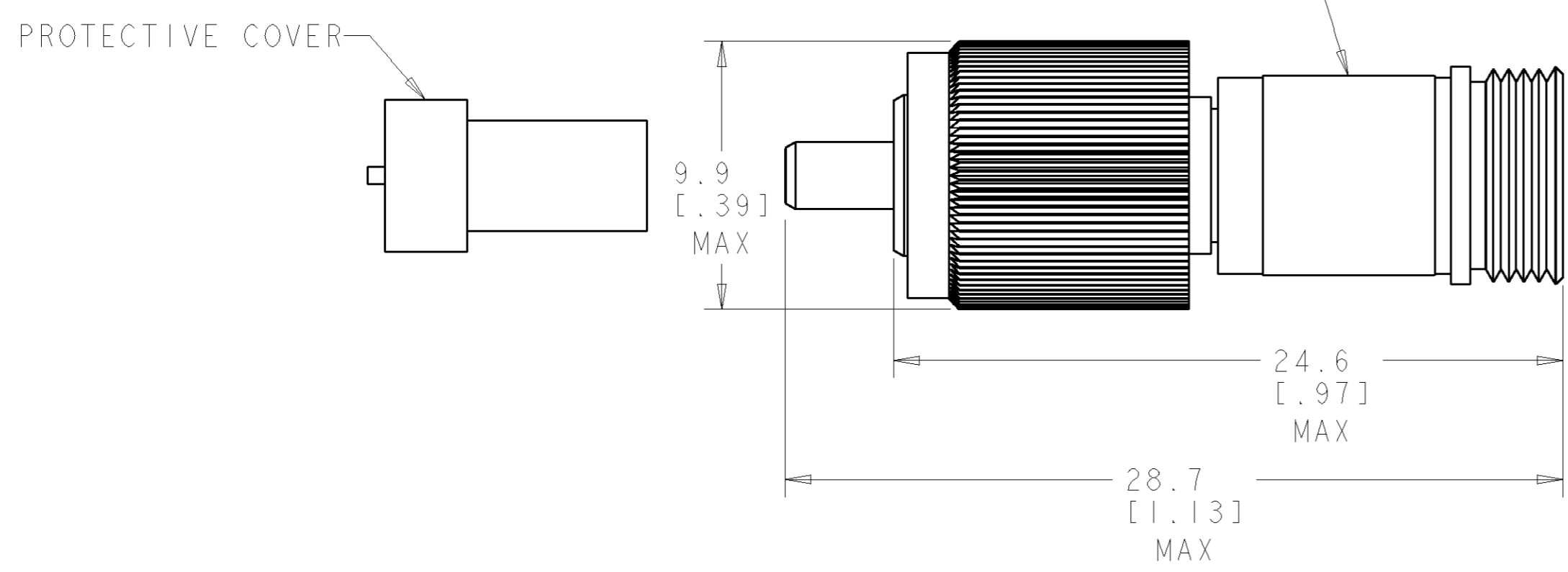
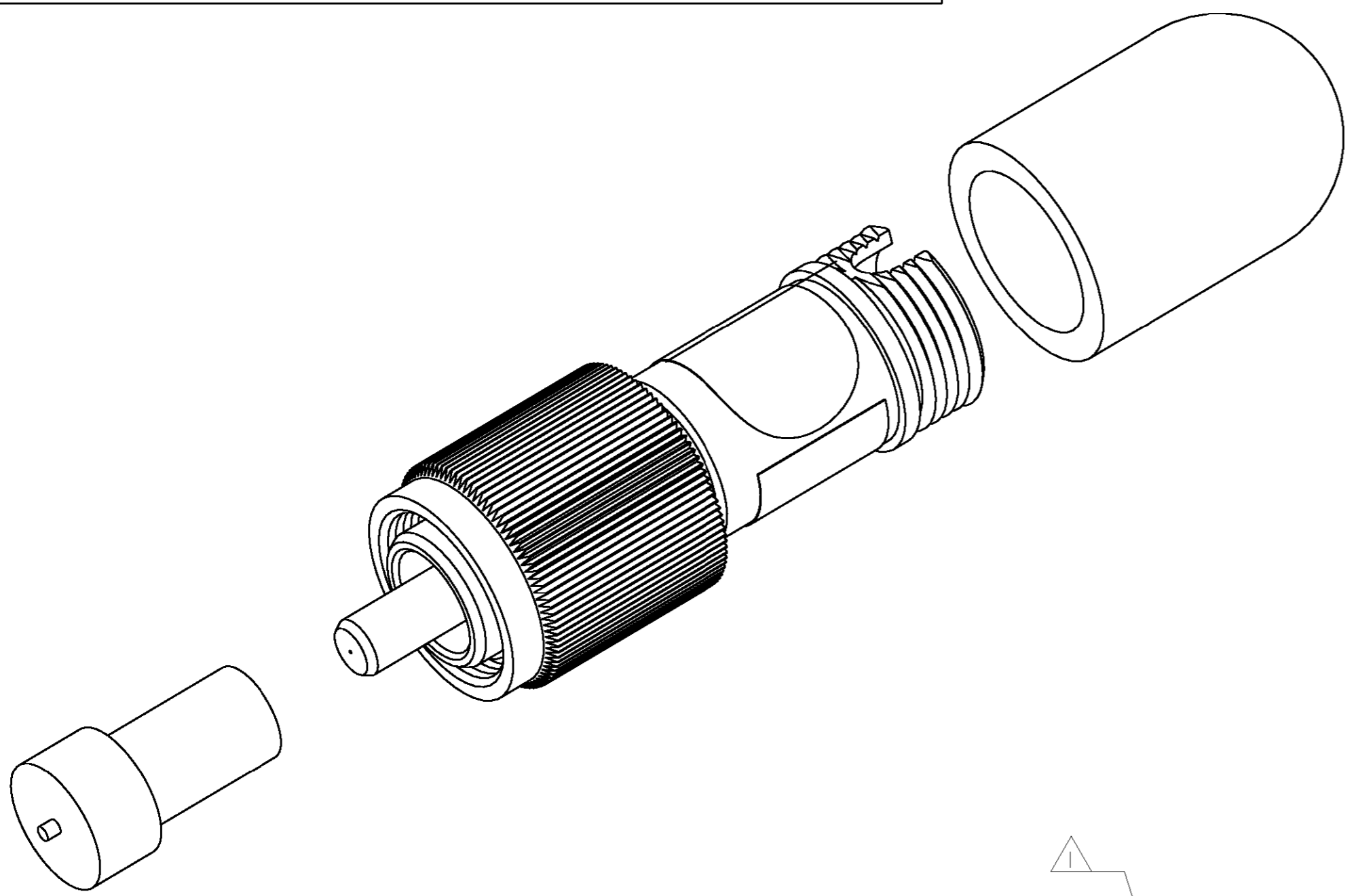
Email & Skype: info@chipsmall.com Web: www.chipsmall.com

Address: A1208, Overseas Decoration Building, #122 Zhenhua RD., Futian, Shenzhen, China



THIS DRAWING IS UNPUBLISHED. RELEASED FOR PUBLICATION 20
 © COPYRIGHT 20 BY TYCO ELECTRONICS CORPORATION. ALL RIGHTS RESERVED.

LOC	DIST	REVISIONS					
CE	00	P	LTR	DESCRIPTION	DATE	DWN	APVD
		B		ECR-06-029231	23MAR2007	EJH	SB



NOMINAL ATTENUATION VALUE (dB)	PART NUMBER
1	5209948-1
2	5209948-2
3	5209948-3
4	5209948-4
5	5209948-5
6	5209948-6
7	5209948-7
8	5209948-8
9	5209948-9
10	1-5209948-0
12	1-5209948-2
13	1-5209948-3
14	1-5209948-4
15	1-5209948-5
18	1-5209948-8
20	2-5209948-0
25	2-5209948-5

PERFORMANCE REQUIREMENTS:
 OPERATING WAVELENGTH : 1310/1550nm ±25nm
 REFLECTANCE : ≤ -55dB
 OPERATING TEMPERATURE : -40°C TO 75°C
 ATTENUATION TOLERANCE, AMBIENT :
 FOR ATTENUATORS ≥5dB: ±10% OF NOMINAL ATTENUATION VALUE
 FOR ATTENUATORS <5dB: ±.50dB
 MEASURED WITH REFERENCE QUALITY LAUNCH LEADS

△ TYCO LOGO, ATTENUATION VALUE, PART NUMBER, AND SERIAL NUMBER ARE PRINTED ON THE LABEL

<small>THIS DRAWING IS A CONTROLLED DOCUMENT FOR TYCO ELECTRONICS CORPORATION. IT IS SUBJECT TO CHANGE AND THE CONTROLLING ENGINEERING ORGANIZATION SHOULD BE CONTACTED FOR THE LATEST REVISION.</small>		DWN E. HOPKINS CHK E. HOPKINS APVD S. BUCHTER	19DEC2005 19DEC2005 19DEC2005	tyco Electronics Tyco Electronics Harrisburg, PA 17105-3608
DIMENSIONS: mm [INCHES]	TOLERANCES UNLESS OTHERWISE SPECIFIED: 0 PLC ± 1 PLC ± 2 PLC ± 3 PLC ± 4 PLC ± ANGLES ±2 FINISH	PRODUCT SPEC - APPLICATION SPEC - WEIGHT - CUSTOMER DRAWING	NAME ATTENUATOR, OPTICAL, BUILDOUT FC/UPC, SM, DUAL WINDOW	SIZE A2 CAGE CODE 00779 DRAWING NO 5209948 RESTRICTED TO -
SCALE 5:1			SHEET 1 OF 1 REV B	