



Chipsmall Limited consists of a professional team with an average of over 10 year of expertise in the distribution of electronic components. Based in Hongkong, we have already established firm and mutual-benefit business relationships with customers from,Europe,America and south Asia,supplying obsolete and hard-to-find components to meet their specific needs.

With the principle of "Quality Parts,Customers Priority,Honest Operation,and Considerate Service",our business mainly focus on the distribution of electronic components. Line cards we deal with include Microchip,ALPS,ROHM,Xilinx,Pulse,ON,Everlight and Freescale. Main products comprise IC,Modules,Potentiometer,IC Socket,Relay,Connector.Our parts cover such applications as commercial,industrial, and automotives areas.

We are looking forward to setting up business relationship with you and hope to provide you with the best service and solution. Let us make a better world for our industry!



Contact us

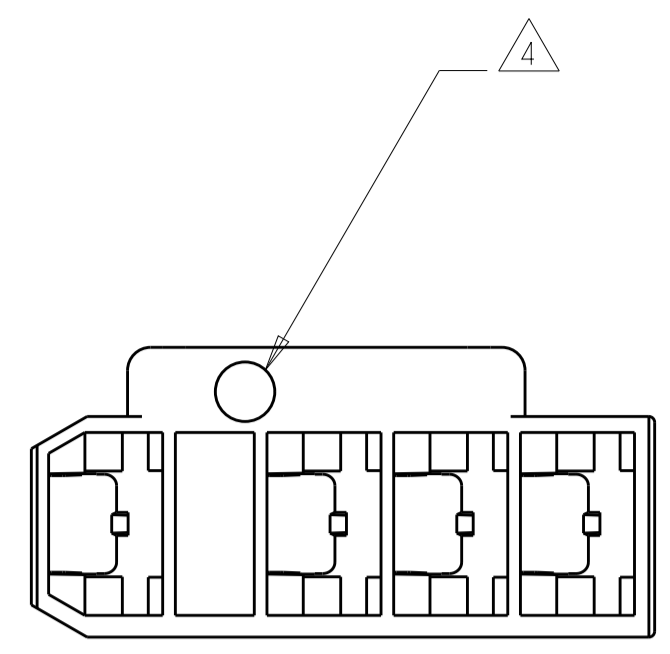
Tel: +86-755-8981 8866 Fax: +86-755-8427 6832

Email & Skype: info@chipsmall.com Web: www.chipsmall.com

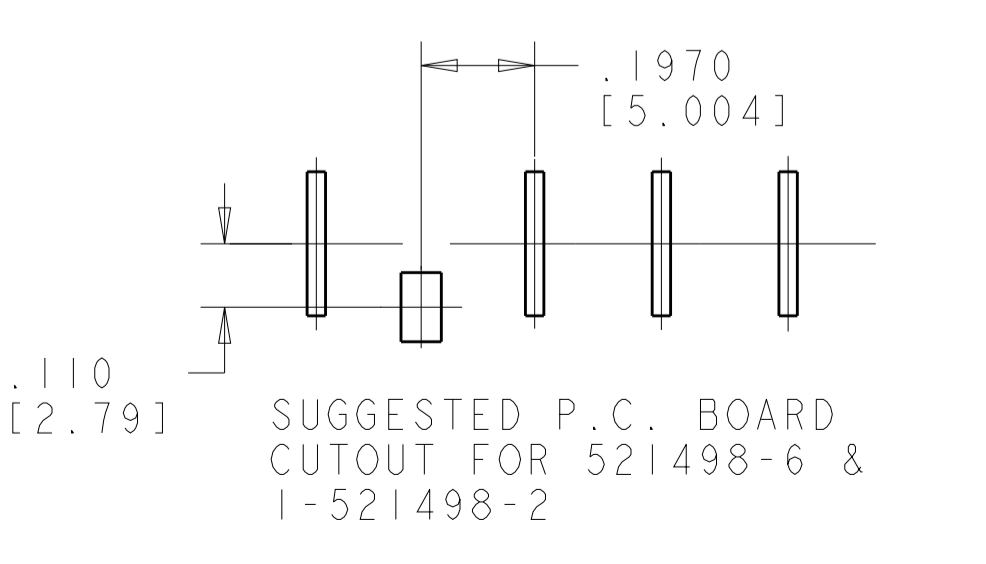
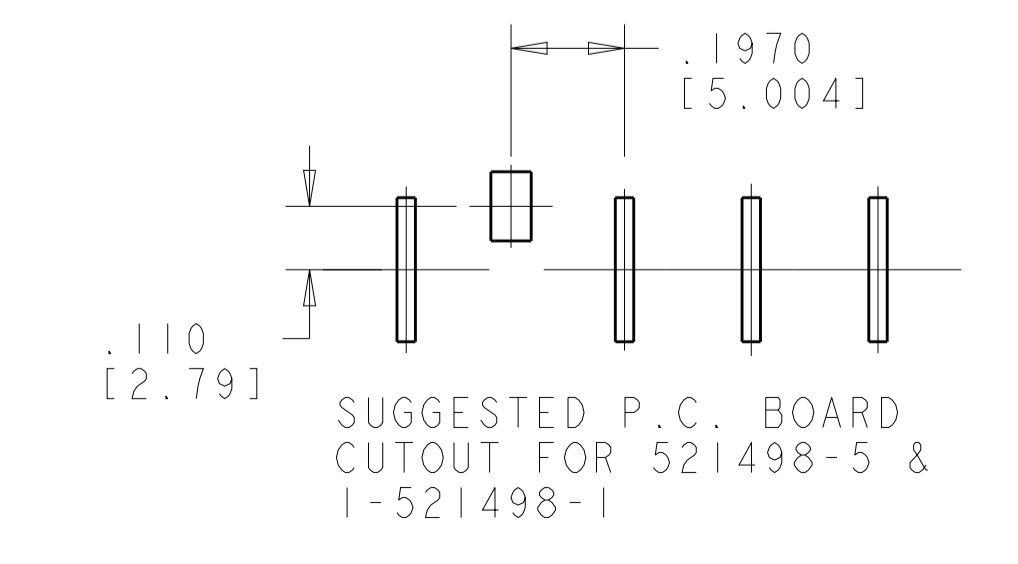
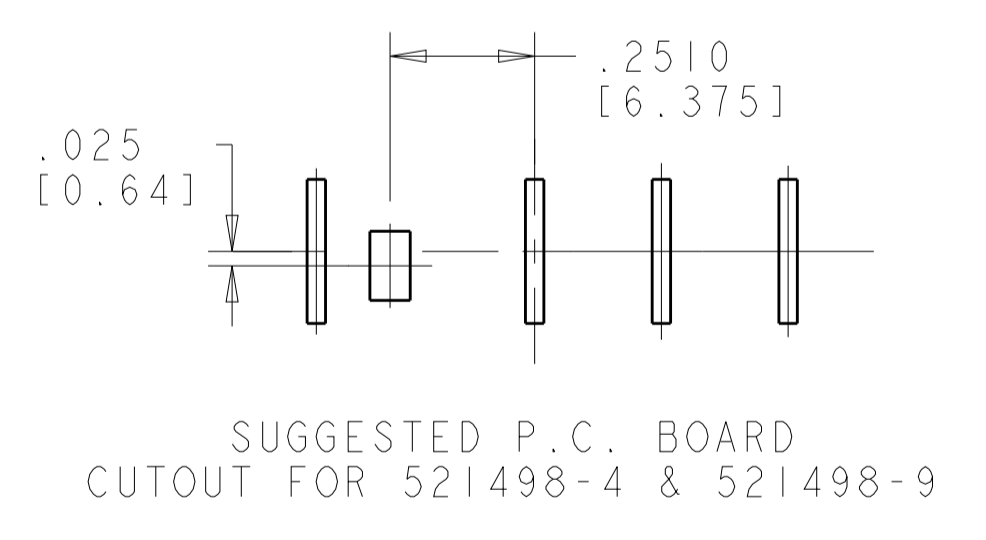
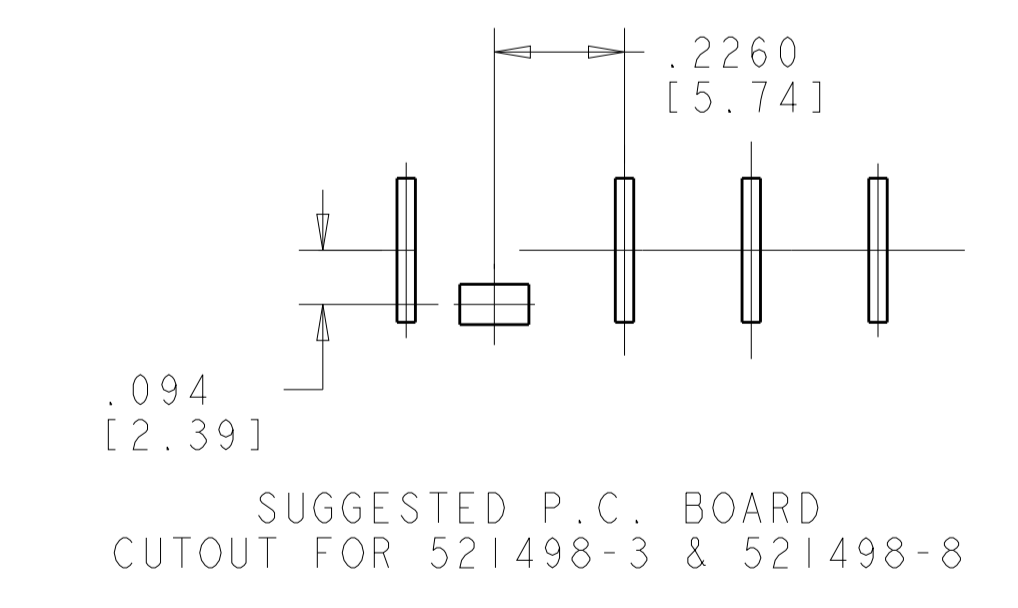
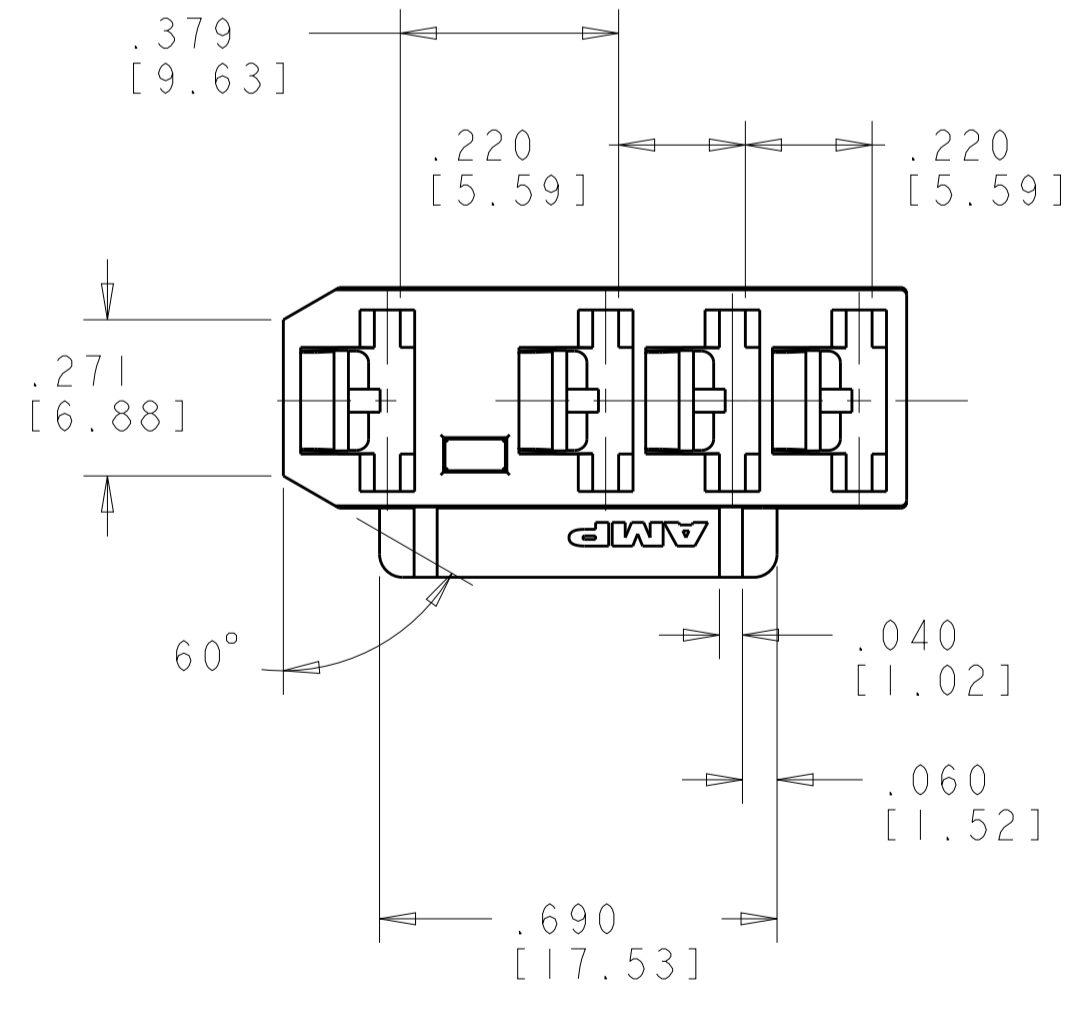
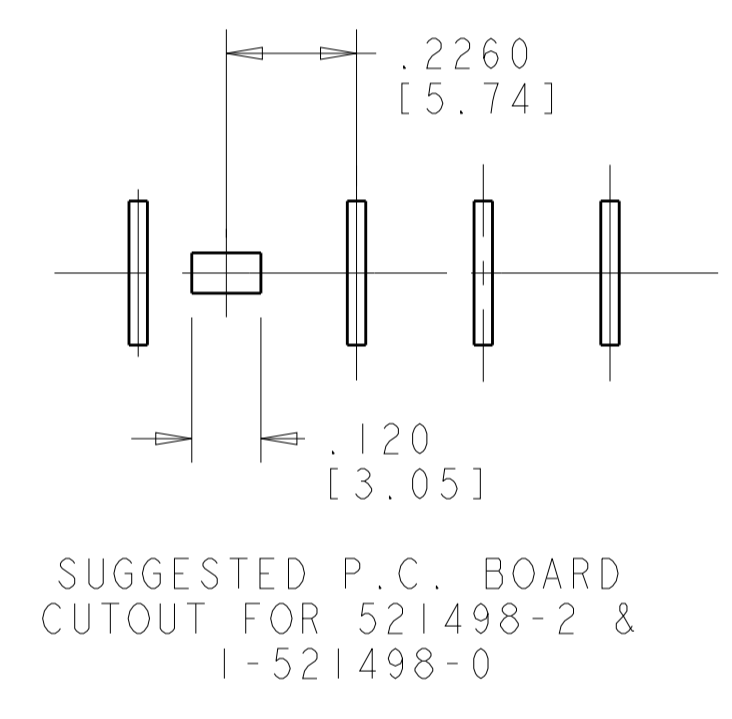
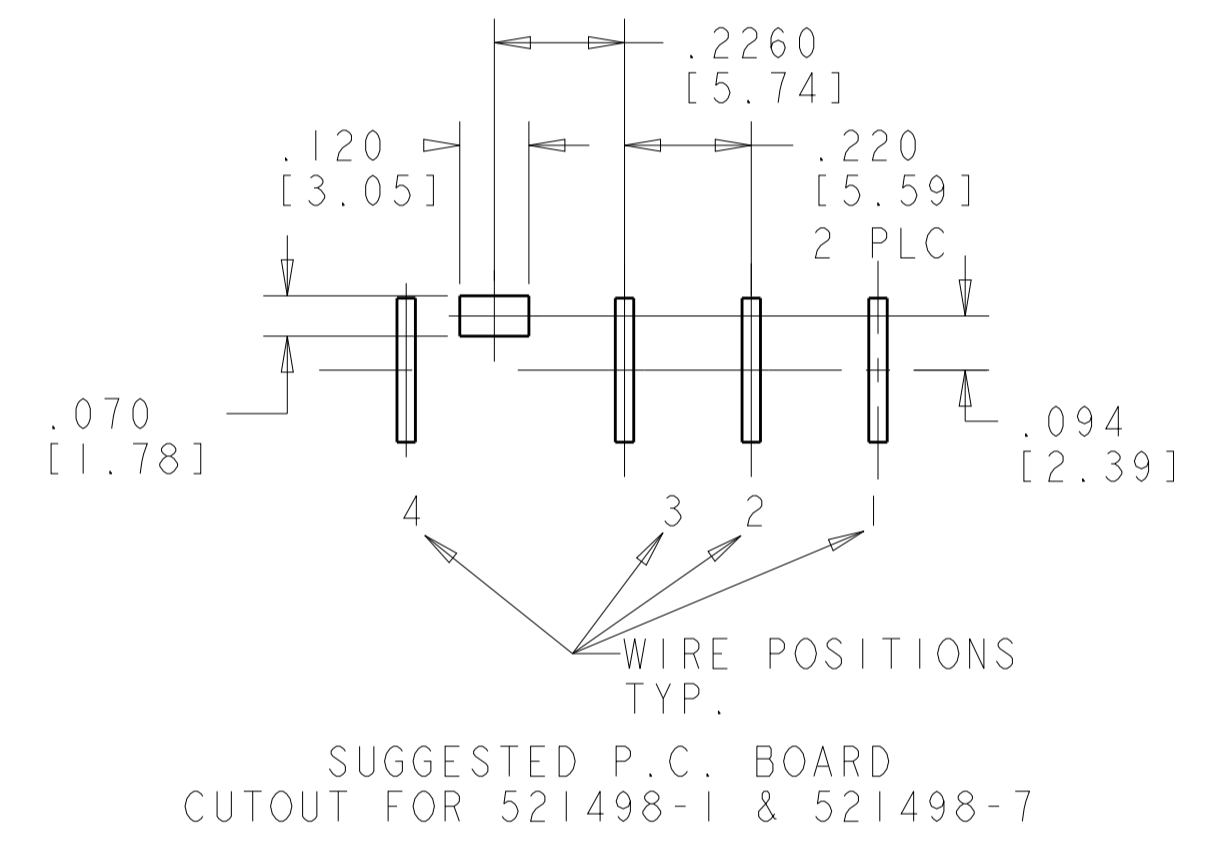
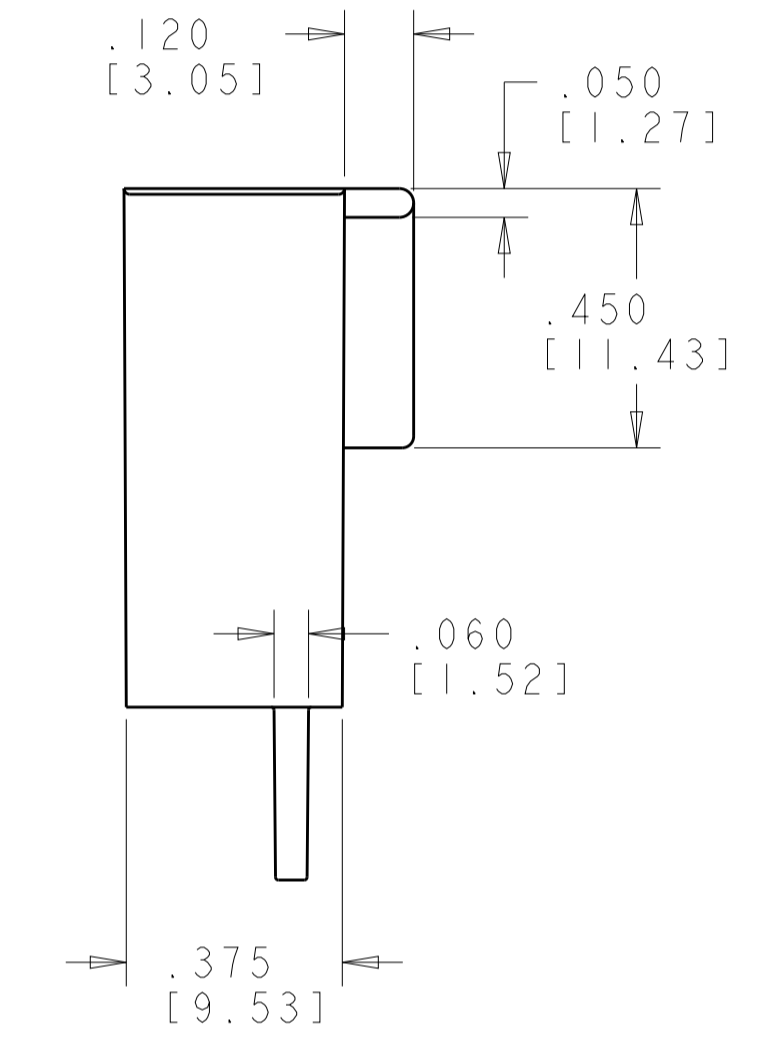
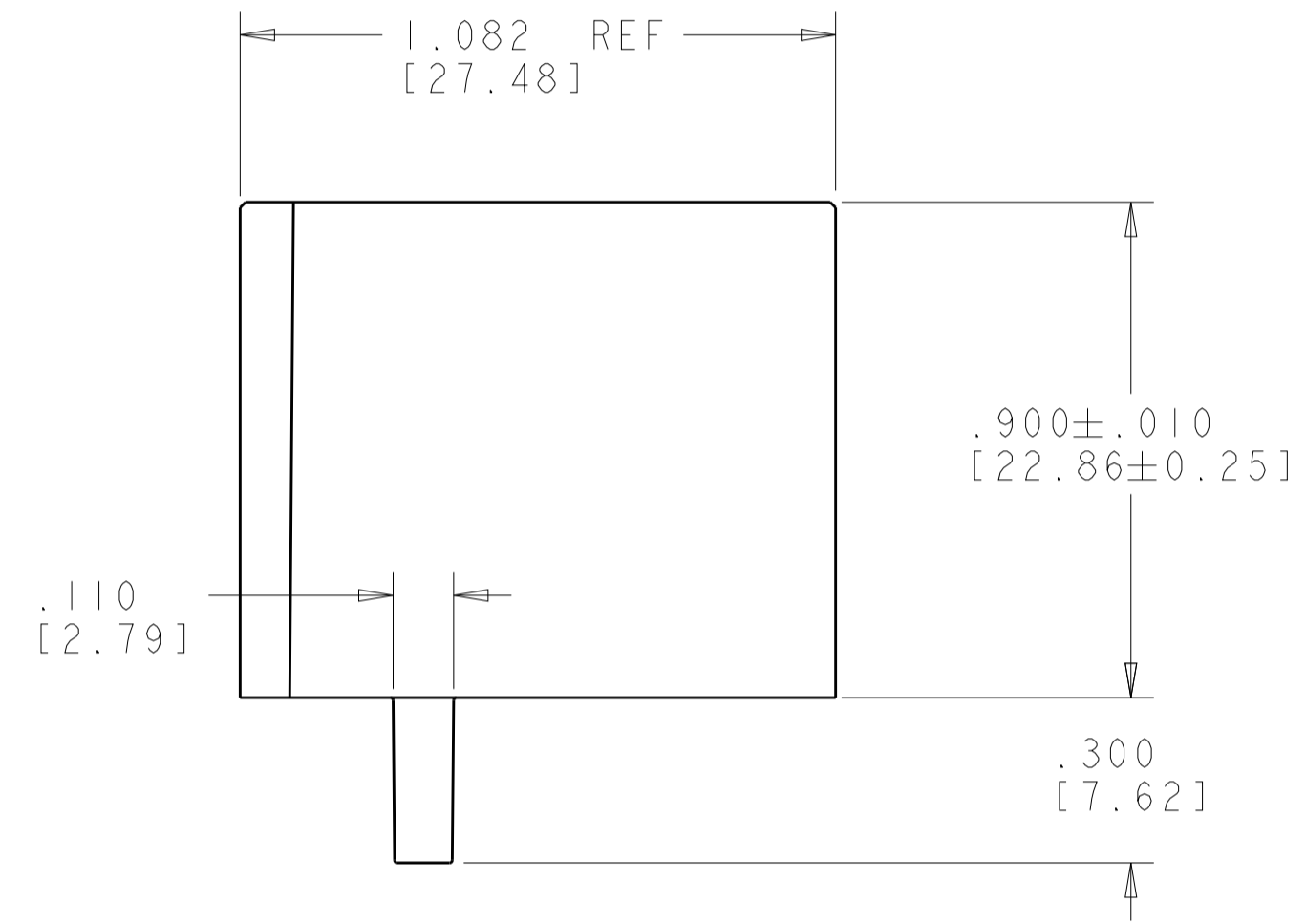
Address: A1208, Overseas Decoration Building, #122 Zhenhua RD., Futian, Shenzhen, China



REVISIONS				
P.	LTN.	DESCRIPTION	DATE	APVD.
N		REVISED PER ECR-18-006282	25MAY2018	BDA DS



- FOR USE WITH TYCO ELECTRONICS 250 SERIES LOW INSERTION RECEPTACLES
- ALL SUGGESTED P.C. BOARD CUTOUTS ARE SHOWN FROM THE COMPONENT SIDE.
- V-0 LETTERS THIS LOCATION FOR -7 THRU -12 PARTS ONLY.
- BLUE COLOR MAY APPEAR GRAY
- 521498-7: BLUE PARTS MAY APPEAR MEDIUM BLUE TO LIGHT BLUE TO LIGHT GRAY IN COLOR AND MAY ALSO EXHIBIT A MARBLING EFFECT.
- 521498-8: YELLOW PARTS MAY APPEAR LIGHT YELLOW TO LIGHT BEIGE IN COLOR AND MAY ALSO EXHIBIT A MARBLING EFFECT.
- 1-521498-0: GREEN PARTS MAY APPEAR MEDIUM GREEN TO VERY LIGHT GREEN (MINT) IN COLOR AND MAY ALSO EXHIBIT A MARBLING EFFECT.
- 1-521498-2: RED PARTS MAY APPEAR DARK PINK, MEDIUM PINK, OR LIGHT PINK IN COLOR AND MAY ALSO EXHIBIT A MARBLING EFFECT.
- OBSELETE PARTS
- PARTS MAY APPEAR MEDIUM COLORED TO LIGHT COLORED AND EXHIBIT A MARBLING EFFECT.



△ SUPERSEDED BY 2-521498-2

SUPERSEDED △

BLACK	NYLON V0 BLACK	2-521498-9
YELLOW	NYLON V0 YELLOW	2-521498-8
BLUE	NYLON V0 BLUE	2-521498-7
RED △	NYLON V0 RED	2-521498-2
GREEN	NYLON V0 GREEN	2-521498-0
RED	NYLON, V-0 △	1-521498-2
WHITE	NYLON, V-0 △	1-521498-1
GREEN	NYLON, V-0 △	1-521498-0
BLACK	NYLON, V-0 △	521498-9
YELLOW	NYLON, V-0 △	521498-8
BLUE	NYLON, V-0 △	521498-7
RED	NYLON, V-2	521498-6
WHITE	NYLON, V-2	521498-5
BLACK	NYLON, V-2	521498-4
YELLOW	NYLON, V-2	521498-3
GREEN	NYLON, V-2	521498-2
BLUE	NYLON, V-2	521498-1
COLOR	MATERIAL	PART NUMBER

THIS DRAWING IS A CONTROLLED DOCUMENT. DWN: R FLAIG 01OCT2002
 CHK: P DESANTIS 01OCT2002
 APVD: P DESANTIS 01OCT2002

STE TE Connectivity

NAME: HOUSING, RECEPTACLE FASTON, .250 [6.35] SERIES

SIZE: A1 00779 C=521498

SCALE: 3:1 SHEET 1 OF 1 REV N

MATERIAL: - FINISH: - WEIGHT: - CUSTOMER DRAWING