



Chipsmall Limited consists of a professional team with an average of over 10 year of expertise in the distribution of electronic components. Based in Hongkong, we have already established firm and mutual-benefit business relationships with customers from,Europe,America and south Asia,supplying obsolete and hard-to-find components to meet their specific needs.

With the principle of “Quality Parts,Customers Priority,Honest Operation,and Considerate Service”,our business mainly focus on the distribution of electronic components. Line cards we deal with include Microchip,ALPS,ROHM,Xilinx,Pulse,ON,Everlight and Freescale. Main products comprise IC,Modules,Potentiometer,IC Socket,Relay,Connector.Our parts cover such applications as commercial,industrial, and automotives areas.

We are looking forward to setting up business relationship with you and hope to provide you with the best service and solution. Let us make a better world for our industry!



Contact us

Tel: +86-755-8981 8866 Fax: +86-755-8427 6832

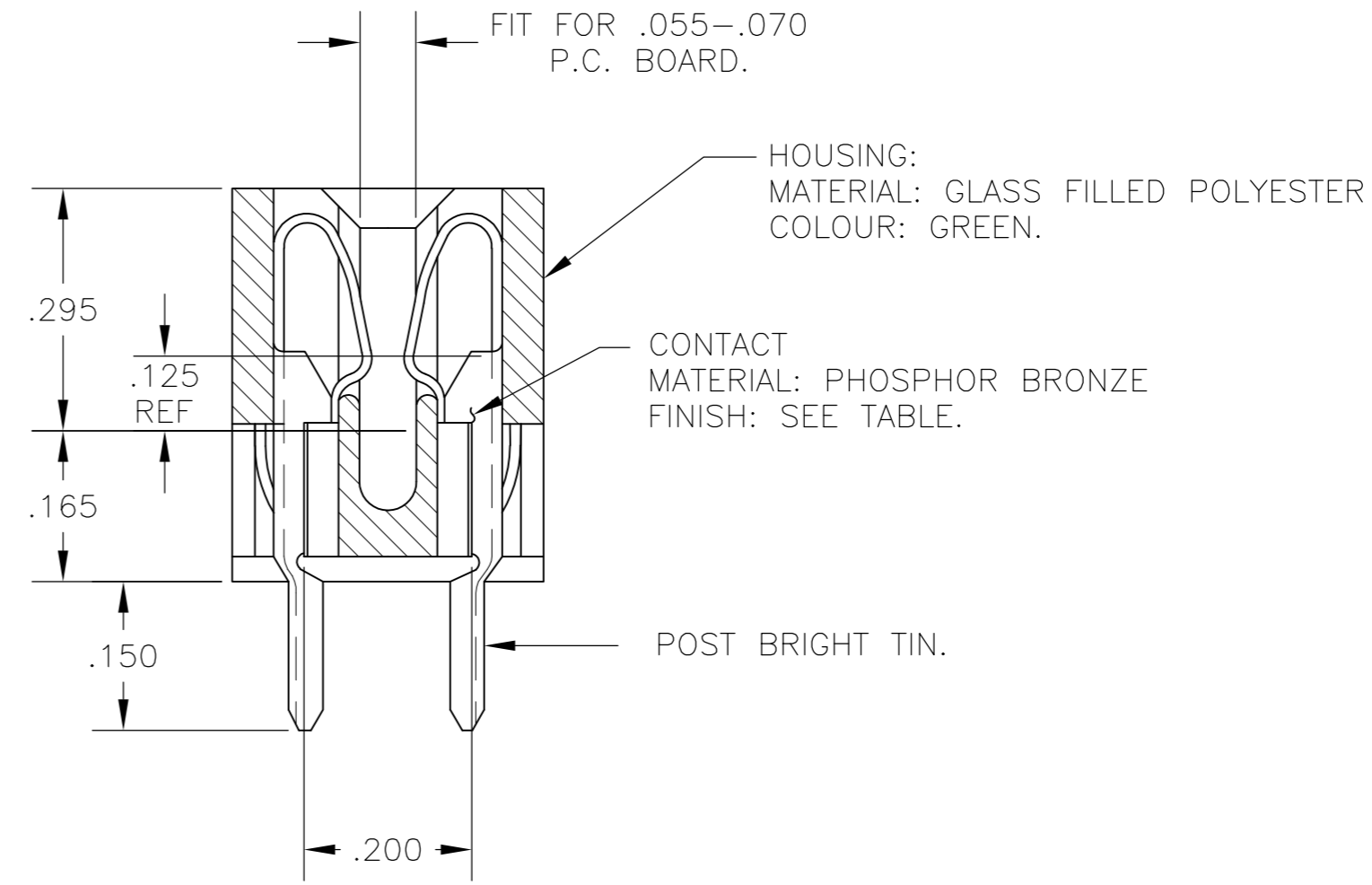
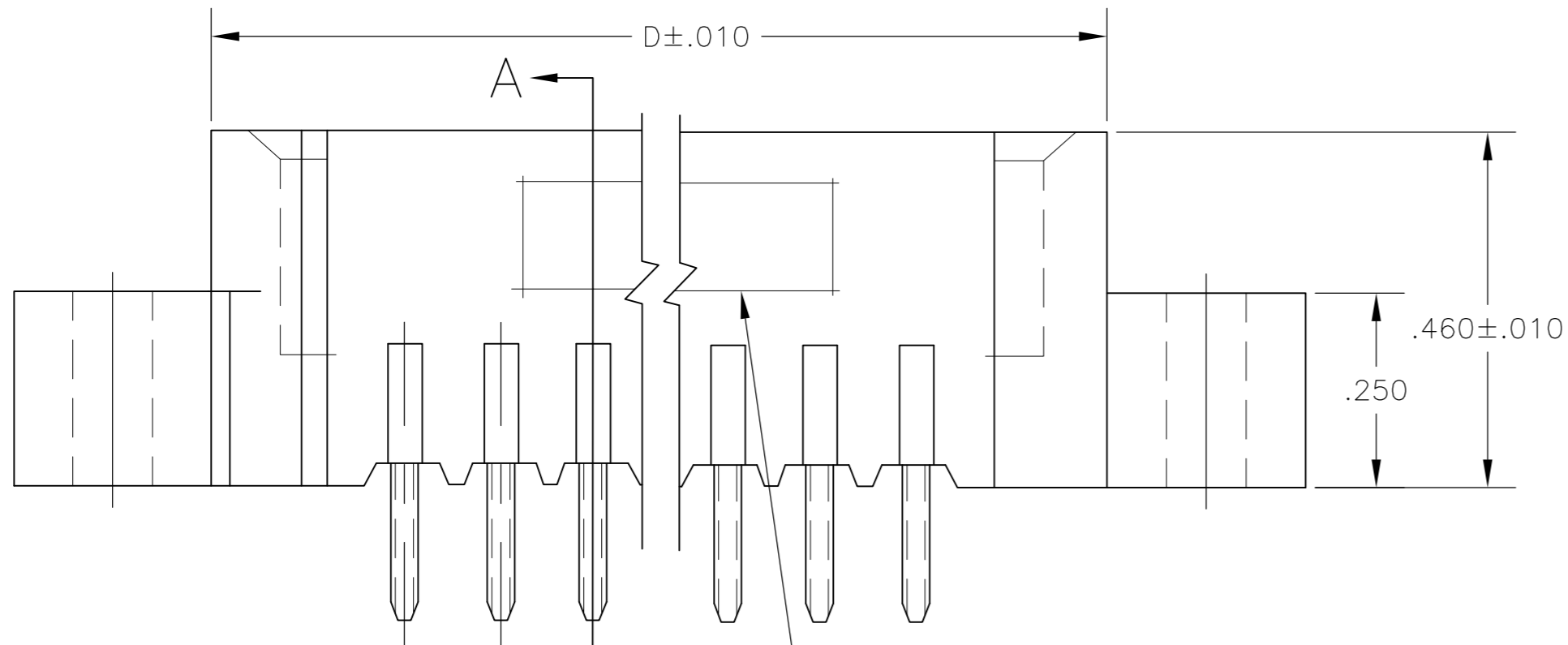
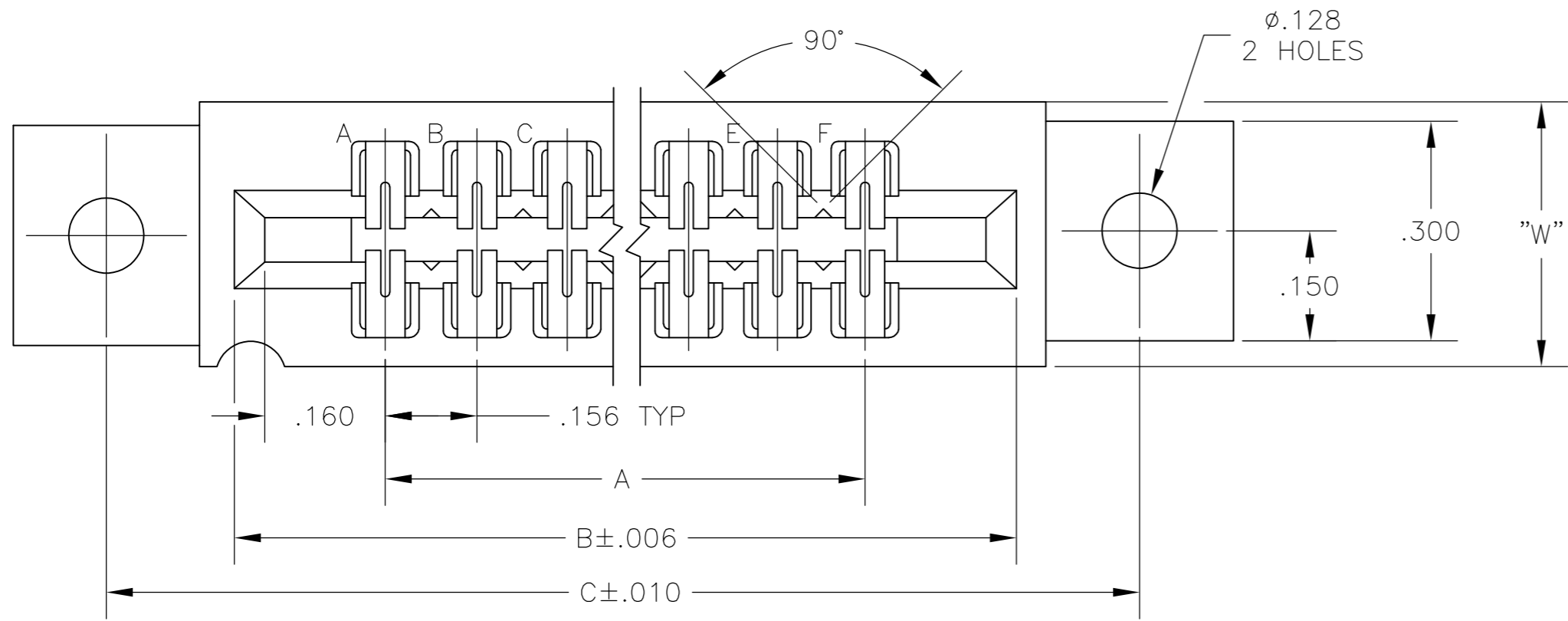
Email & Skype: info@chipsmall.com Web: www.chipsmall.com

Address: A1208, Overseas Decoration Building, #122 Zhenhua RD., Futian, Shenzhen, China



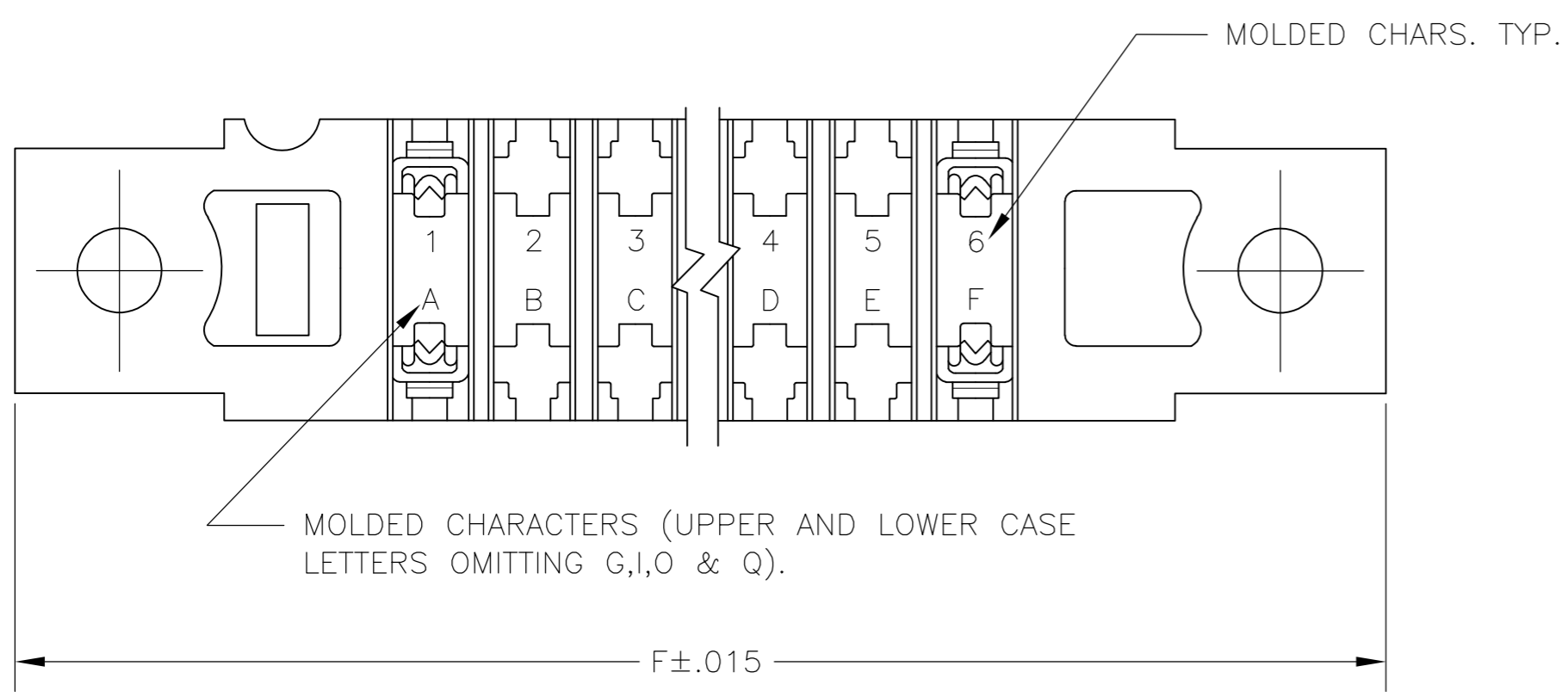
THIS DRAWING IS UNPUBLISHED. RELEASED FOR PUBLICATION
 © COPYRIGHT - By - ALL RIGHTS RESERVED.

LOC		DIST		REVISIONS			
P	LTR	DESCRIPTION	DATE	DWN	APVD		
AD	00	M2	REVISED PER ECO-11-004820	11MAR11	RK	HMR	



SECTION A-A

"AMP" PART NO & DATE CODE
 INK STAMPED WHITE OR
 HOT STAMP (NO WHITE TAPE)
 IN THIS AREA (SIDE OPTIONAL)



THIS DRAWING IS A CONTROLLED DOCUMENT.		DWN	19MAR75		TE Connectivity		
DIMENSIONS: INCHES		CHK	20MAR75		NAME		
		APVD	20MAR75		HOUSING ASSY, LOW PROFILE, EDGE CONNECTOR, FLOW SOLDER, FOR .052 DIA. HOLE, .156X.200 CENTERS.		
TOLERANCES UNLESS OTHERWISE SPECIFIED:		PRODUCT SPEC		SIZE	CAGE CODE	DRAWING NO	RESTRICTED TO
0 PLC ± -		APPLICATION SPEC		A2	00779	C=530655	-
1 PLC ± -		WEIGHT		SCALE 4:1			SHEET 1 of 2
2 PLC ± -		MATERIAL		CUSTOMER DRAWING			REV M2
3 PLC ± .005		FINISH					
4 PLC ± -		SEE CALL-OUT					
5 ANGLE ± -							
6 FINISH							
SEE CALL-OUT							

530655

THIS DRAWING IS UNPUBLISHED. RELEASED FOR PUBLICATION
 © COPYRIGHT - By - ALL RIGHTS RESERVED.

LOC	DIST	REVISIONS					
AD	00	P	LTR	DESCRIPTION	DATE	DWN	APVD
		-		SEE SHEET 1	-	-	-

- △1 .000015 MIN GOLD OVER .000050 MIN. NICKEL IN CONTACT AREA.
- △2 .000030 MIN GOLD OVER .00005 MIN. NICKEL IN CONTACT AREA.
- △3 SELECTIVELY LOADED, OMIT CONTACTS IN CIRCUIT CAVITIES 14,16,18,S AND U
- △4 ALL PARTS ASSEMBLED IN MEXICO MUST BE STAMPED "ASSY IN MEXICO" THE WORD "MEXICO" CAN BE SUBSTITUTED ONLY WHERE PART SIZE PROHIBTS STAMPING "ASSY IN MEXICO", INK STAMP COLOUR WHITE OR HOT STAMP (NO WHITE TAPE) 115-9009, APPROX. WHERE SHOWN, SIDE OPTIONAL.
- △5 MATTE TIN PLATED CONTACT TAILS.
- △6 OBSOLETE PARTS: OBSOLETE CIS STREAMLINING PER D.RENAUD/D.SINISI

△5										△6	
△5	-	43	6.552	6.872	7.307	7.012	.437	7.557	△6	8-530655-3	
△5	-	28	4.212	4.532	4.967	4.672	.370	5.217	△6	8-530655-2	
△5	-	36	5.460	5.780	6.215	5.920	.437	6.465	△6	8-530655-0	
△5	-	30	4.524	4.844	5.279	4.984	.437	5.529		7-530655-9	
△5	-	22	3.276	3.596	4.031	3.736	.370	4.281		7-530655-6	
△5	-	18	2.652	2.972	3.407	3.112	.370	3.657		7-530655-5	
△5	-	15	2.184	2.504	2.939	2.644	.370	3.189		7-530655-4	
△5	-	12	1.716	2.036	2.471	2.176	.370	2.721		7-530655-3	
△5	-	10	1.404	1.724	2.159	1.864	.370	2.409		7-530655-2	
△5	-	6	.780	1.100	1.535	1.240	.370	1.785		7-530655-1	
△5	-	18	2.652	2.972	3.407	3.112	.370	3.657		3-530655-4	
	1-530655-3	43	6.552	6.872	7.307	7.012	.437	7.557		3-530655-3	
	1-530655-2	28	4.212	4.532	4.967	4.672	.370	5.217		3-530655-2	
	1-530655-1	44	6.708	7.028	7.463	7.168	.437	7.713		3-530655-1	
	1-530655-0	36	5.460	5.780	6.215	5.920	.437	6.465		3-530655-0	
	530655-9	30	4.524	4.844	5.279	4.984	.437	5.529	△6	2-530655-9	
	530655-8	25	3.744	4.064	4.499	4.204	.370	4.749		2-530655-8	
	530655-7	24	3.588	3.908	4.343	4.048		4.593		2-530655-7	
	530655-6	22	3.276	3.596	4.031	3.736		4.281		2-530655-6	
	530655-5	18	2.652	2.972	3.407	3.112		3.657		2-530655-5	
	530655-4	15	2.184	2.504	2.939	2.644		3.189		2-530655-4	
	530655-3	12	1.716	2.036	2.471	2.176		2.721		2-530655-3	
	530655-2	10	1.404	1.724	2.159	1.864		2.409		2-530655-2	
	530655-1	6	.780	1.100	1.535	1.240		1.785		2-530655-1	
△1	PART NO	NO.OF. POSITION	A	B	C	D	W	F	△2	PART NO	

OBSOLETE

530655

THIS DRAWING IS A CONTROLLED DOCUMENT.

DWN	19MAR75	 TE Connectivity	HOUSING ASSY, LOW PROFILE, EDGE CONNECTOR, FLOW SOLDER, FOR .052 DIA. HOLE .156X.200 CTRS.
CHK	20MAR75		
APVD	20MAR75		
NAME			
DIMENSIONS: INCHES 		TOLERANCES UNLESS OTHERWISE SPECIFIED: 0 PLC ± - 1 PLC ± - 2 PLC ± - 3 PLC ± - 4 PLC ± - ANGLES ± -	
MATERIAL SEE CALL-OUT		FINISH SEE CALL-OUT	
WEIGHT -		SIZE A2 CAGE CODE 00779 DRAWING NO C=530655	
CUSTOMER DRAWING		RESTRICTED TO -	
SCALE 1:1		SHEET 2 OF 2 REV M2	