



Chipsmall Limited consists of a professional team with an average of over 10 year of expertise in the distribution of electronic components. Based in Hongkong, we have already established firm and mutual-benefit business relationships with customers from,Europe,America and south Asia,supplying obsolete and hard-to-find components to meet their specific needs.

With the principle of “Quality Parts,Customers Priority,Honest Operation,and Considerate Service”,our business mainly focus on the distribution of electronic components. Line cards we deal with include Microchip,ALPS,ROHM,Xilinx,Pulse,ON,Everlight and Freescale. Main products comprise IC,Modules,Potentiometer,IC Socket,Relay,Connector.Our parts cover such applications as commercial,industrial, and automotives areas.

We are looking forward to setting up business relationship with you and hope to provide you with the best service and solution. Let us make a better world for our industry!



Contact us

Tel: +86-755-8981 8866 Fax: +86-755-8427 6832

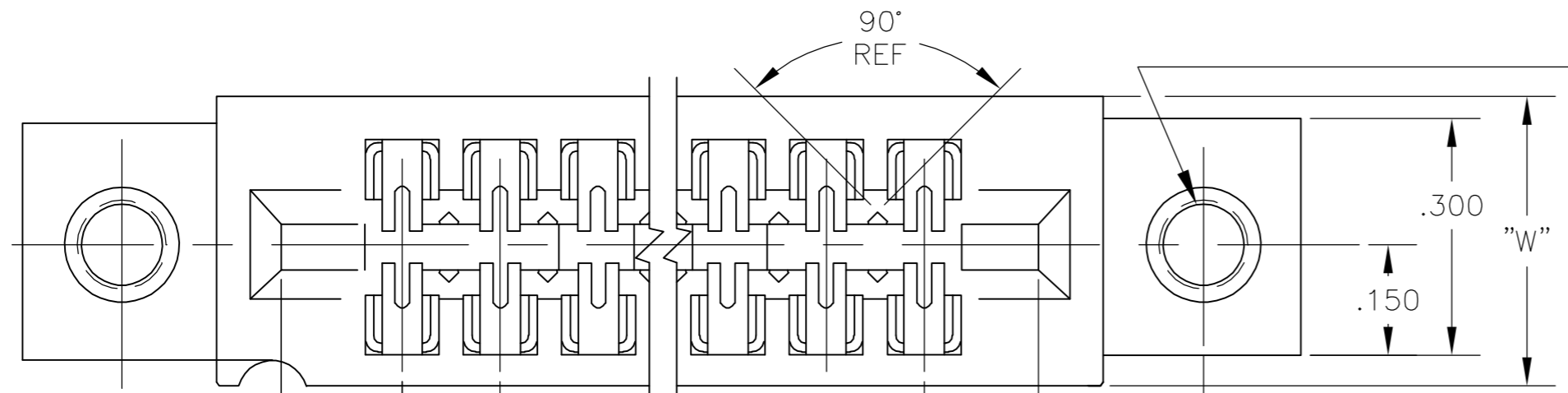
Email & Skype: info@chipsmall.com Web: www.chipsmall.com

Address: A1208, Overseas Decoration Building, #122 Zhenhua RD., Futian, Shenzhen, China



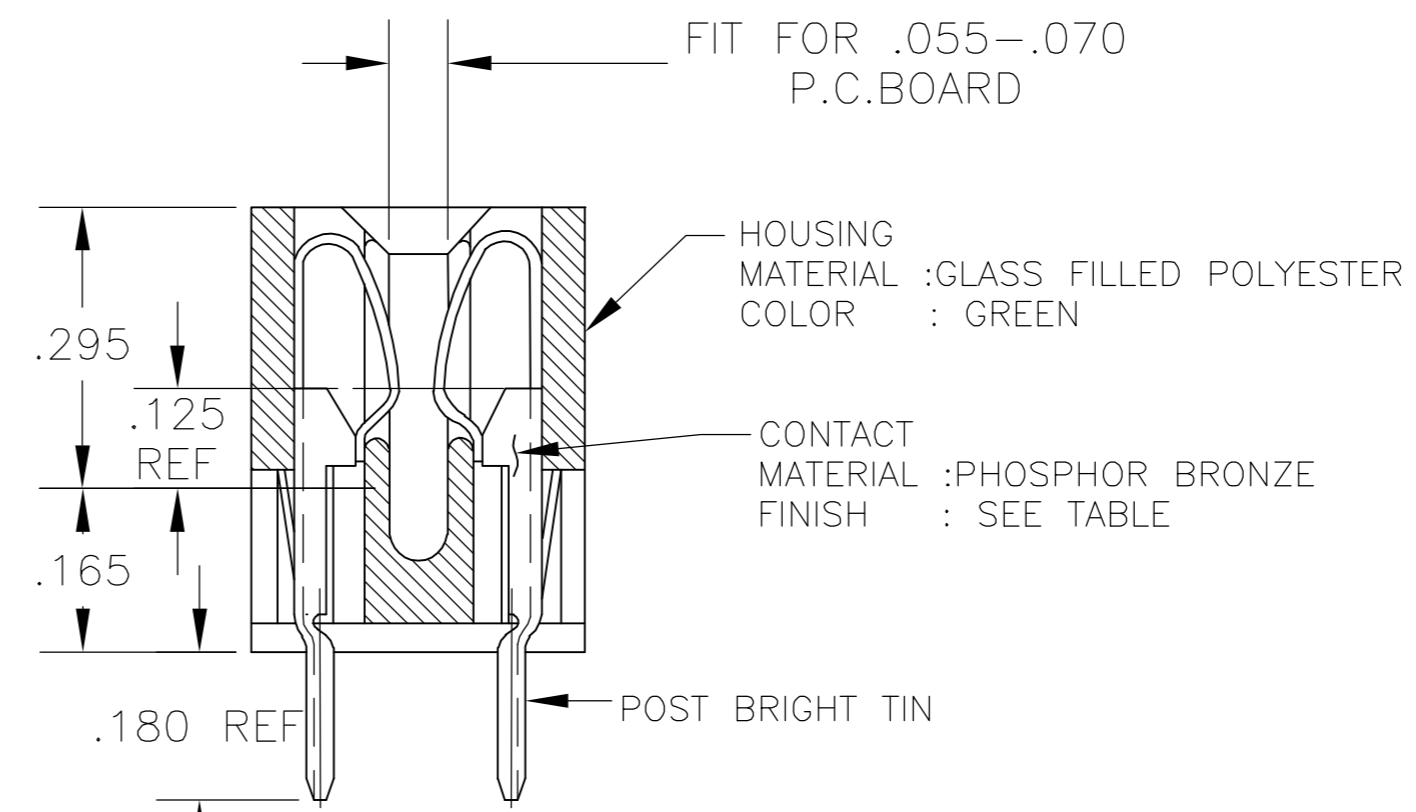
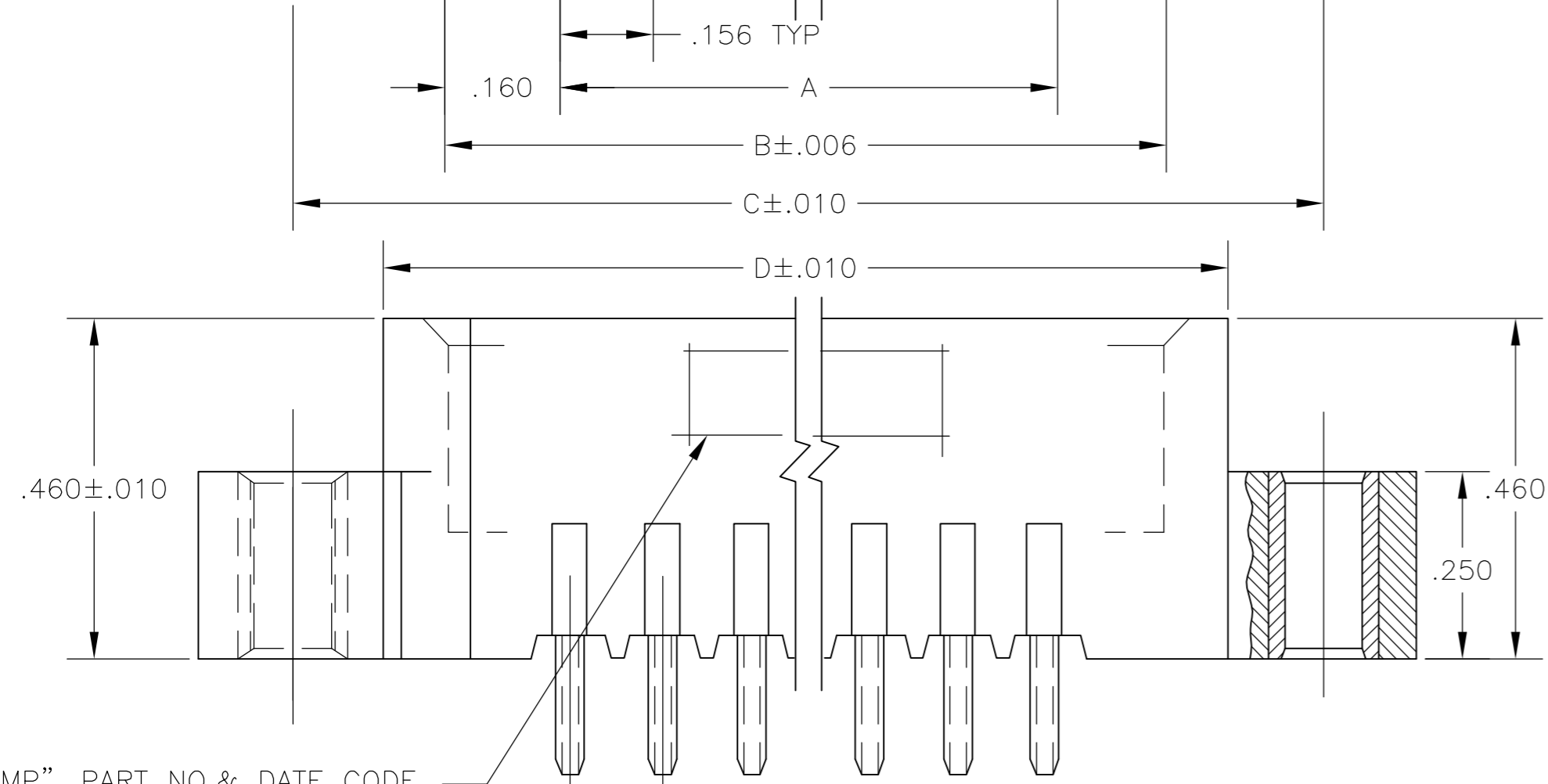
THIS DRAWING IS UNPUBLISHED. RELEASED FOR PUBLICATION 530677, 530677
 © COPYRIGHT 530677 BY TYCO ELECTRONICS CORPORATION. ALL RIGHTS RESERVED.

LOC		DIST		REVISIONS			
P	LTR	DESCRIPTION	DATE	DWN	APVD		
J		ECO-05-006325	31JUL06	BSV	MK		

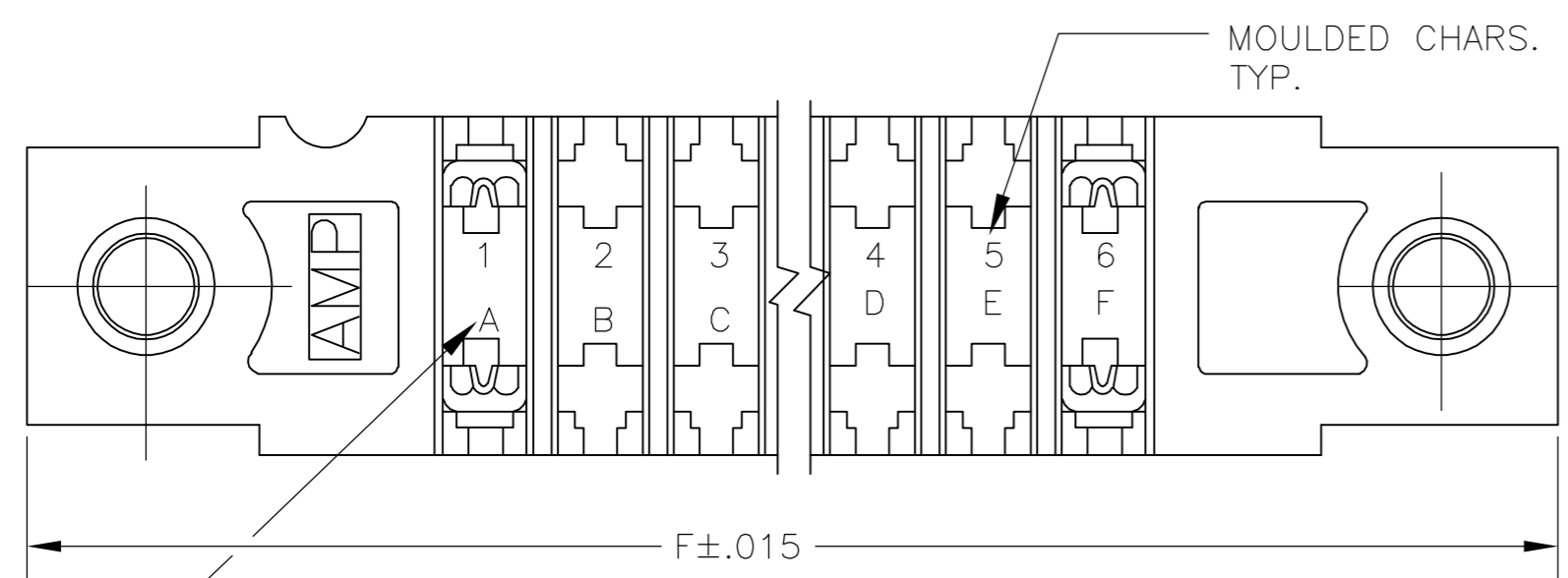


THREADED INSERT
 MATERIAL: BRASS
 4-40 NC-2B
 2 REQ'D

- 1 .000015 MIN. GOLD OVER .000050 MIN. NICKEL IN CONTACT AREA
- 2 .000030 MIN. GOLD OVER .000050 MIN. NICKEL IN CONTACT AREA
- 3 ALL PARTS ASSEMBLED IN MEXICO MUST BE STAMPED "ASSY IN MEXICO" THE WORD "MEXICO" CAN BE SUBSTITUTED ONLY WHERE PART SIZE PROHIBITS STAMPING "ASSY IN MEXICO" INK STAMP COLOR WHITE OR HOT STAMP (NO WHITE TAPE) 115-9009, APPROX. WHERE SHOWN, SIDE OPTIONAL.
- 4 MATTE TIN PLATED CONTACT TAILS



"AMP", PART NO. & DATE CODE INK STAMPED (WHITE OR HOT STAMP NO WHITE TAPE) IN THIS AREA. (SIDE OPTIONAL)



MOULDED CHARACTERS UPPER AND LOWER CASE LETTERS OMITTING LETTERS G, I, O & Q

OBSOLETE

.370	7-530678-6	4.281	3.736	4.031	3.596	3.276	22	-
.370	3-530678-3	7.755	7.012	7.307	3.285	6.552	43	1-530678-3
.437	3-530678-2	5.217	4.672	4.967	6.872	4.212	28	1-530678-2
.437	3-530678-1	7.713	7.168	7.463	4.532	6.028	44	1-530678-1
.437	3-530678-0	6.465	5.920	6.215	7.028	5.460	36	1-530678-0
.370	2-530678-9	5.529	4.984	5.279	5.780	4.524	30	530678-9
.370	2-530678-8	4.749	4.204	4.499	4.844	3.744	25	530678-8
.370	2-530678-7	4.593	4.048	4.343	4.064	3.588	24	530678-7
.370	2-530678-6	4.281	3.736	4.031	3.596	3.276	22	530678-6
.370	2-530678-5	3.657	3.112	3.407	2.972	2.652	18	530678-5
.370	2-530678-4	3.189	2.644	2.939	2.504	2.184	15	530678-4
.370	2-530678-3	2.721	2.176	2.471	2.036	1.716	12	530678-3
.370	2-530678-2	2.409	1.864	2.159	1.724	1.404	10	530678-2
.370	2-530678-1	1.785	1.240	1.535	1.100	.780	6	530678-1
W	PART NO.	F	D	C	B	A	NO OF POSN.	PART NO.

THIS DRAWING IS A CONTROLLED DOCUMENT.

DWN 15JUL75
 CHK 15JUL75
 APVD 16JUL75

tyco Electronics Tyco Electronics Corporation
 Harrisburg, Pa 17105-3608

NAME: HOUSING ASSY, LOW PROFILE EDGE CONNECTOR. FLOW SOLDER POST FOR .052 DIA. HOLE, .156 X .200 CENTERS

SIZE: A2 CAGE CODE: - DRAWING NO: C=530678 RESTRICTED TO: -

SCALE: 5:1 SHEET: 1 OF 1 REV: J

MATERIAL: - DIMENSIONS: INCHES TOLERANCES UNLESS OTHERWISE SPECIFIED: 0 PLC ± - 1 PLC ± - 2 PLC ± - 3 PLC ± - 4 PLC ± - ANGLES ± - FINISH: -

CUSTOMER DRAWING