



Chipsmall Limited consists of a professional team with an average of over 10 year of expertise in the distribution of electronic components. Based in Hongkong, we have already established firm and mutual-benefit business relationships with customers from,Europe,America and south Asia,supplying obsolete and hard-to-find components to meet their specific needs.

With the principle of “Quality Parts,Customers Priority,Honest Operation,and Considerate Service”,our business mainly focus on the distribution of electronic components. Line cards we deal with include Microchip,ALPS,ROHM,Xilinx,Pulse,ON,Everlight and Freescale. Main products comprise IC,Modules,Potentiometer,IC Socket,Relay,Connector.Our parts cover such applications as commercial,industrial, and automotives areas.

We are looking forward to setting up business relationship with you and hope to provide you with the best service and solution. Let us make a better world for our industry!



Contact us

Tel: +86-755-8981 8866 Fax: +86-755-8427 6832

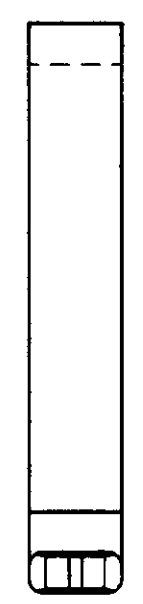
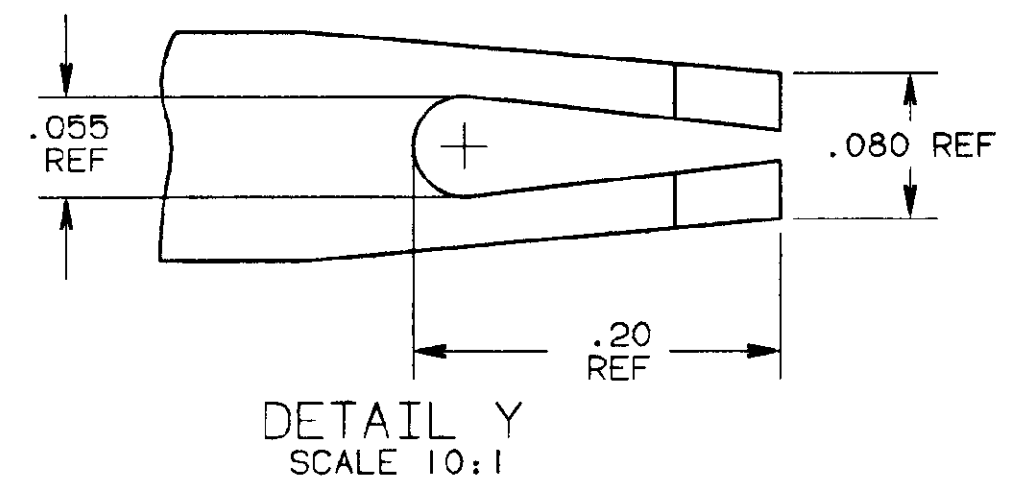
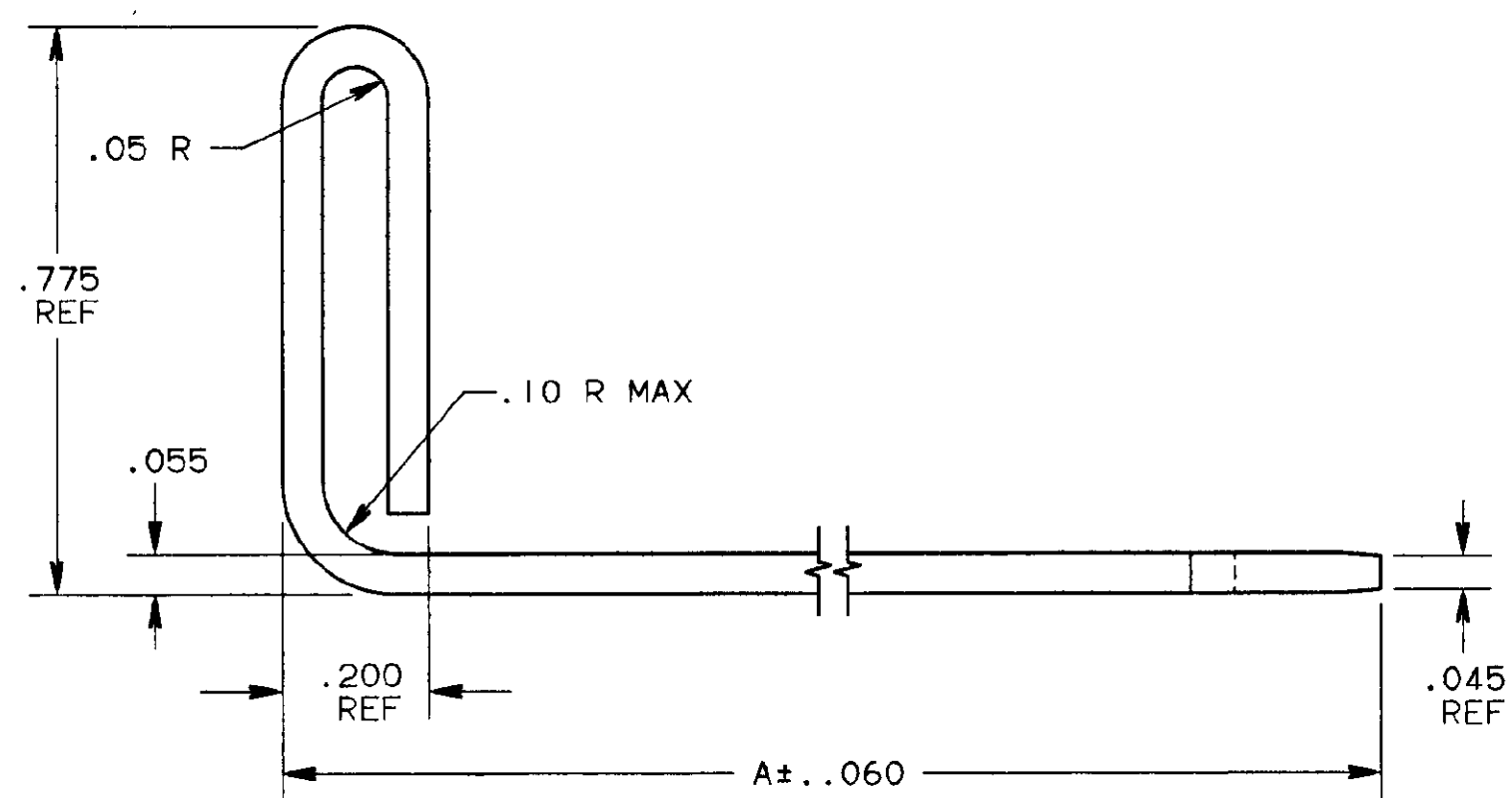
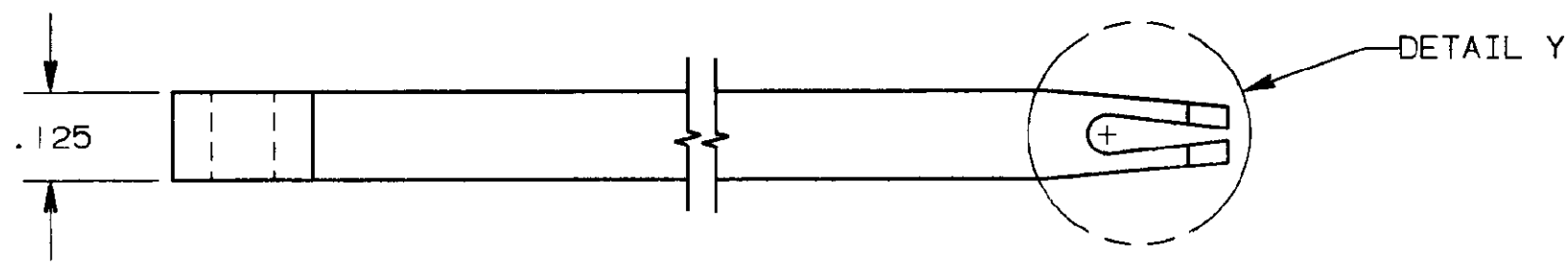
Email & Skype: info@chipsmall.com Web: www.chipsmall.com

Address: A1208, Overseas Decoration Building, #122 Zhenhua RD., Futian, Shenzhen, China



LOC	DIST	REVISIONS						
AD	14	P	F	ZONE	LTR	DESCRIPTION	DATE	APPR
				H3		REVISED PER ECO-12-019723	11FEB13	MH

△ OBSOLETE PARTS: OBSOLETE CIS STREAMLINING PER D.RENAUD/D.SINISI



8.25	3-531004-2
14.5	3-531004-1
3.30	3-531004-0
2.70	2-531004-9
2.20	2-531004-8
10.00	2-531004-6
9.75	2-531004-5
8.50	2-531004-4
10.50	2-531004-2
13.12	2-531004-1
12.50	2-531004-0
8.00	1-531004-8
6.75	1-531004-7
6.75	1-531004-6
5.75	1-531004-5
5.00	1-531004-4
4.25	1-531004-3
7.25	531004-9
6.63	531004-8
6.00	531004-7
5.55	531004-6
5.25	531004-5
4.75	531004-4

UNLESS OTHERWISE SPECIFIED DIMENSIONS ARE IN INCHES TOLERANCES ON: 2 PL DEC ± .02 3 PL DEC ± .010 ANGLES ± _____	DR	K.NOLT	6/2/89	TE Connectivity				
	CHK	D.GORENC	6/2/89					
	MATERIAL	APPD	D.GORENC	6/2/89	NAME CAM ROD, ZIF MODEL II			
	STAINLESS STEEL	PRODUCT SPEC						
FINISH	APPLICATION SPEC			SIZE	FSCM NO	DRAWING NO	REV	
	WEIGHT			C	00779	531004	H3	
				SCALE	4:1		SHEET	1 OF 1

CUSTOMER DRAWING