



Chipsmall Limited consists of a professional team with an average of over 10 year of expertise in the distribution of electronic components. Based in Hongkong, we have already established firm and mutual-benefit business relationships with customers from,Europe,America and south Asia,supplying obsolete and hard-to-find components to meet their specific needs.

With the principle of “Quality Parts,Customers Priority,Honest Operation,and Considerate Service”,our business mainly focus on the distribution of electronic components. Line cards we deal with include Microchip,ALPS,ROHM,Xilinx,Pulse,ON,Everlight and Freescale. Main products comprise IC,Modules,Potentiometer,IC Socket,Relay,Connector.Our parts cover such applications as commercial,industrial, and automotives areas.

We are looking forward to setting up business relationship with you and hope to provide you with the best service and solution. Let us make a better world for our industry!



## Contact us

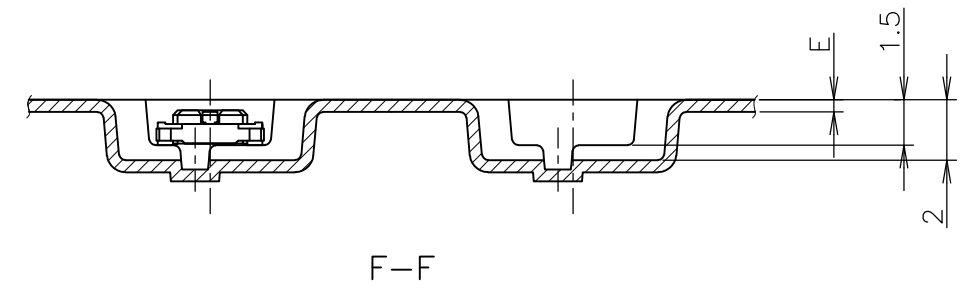
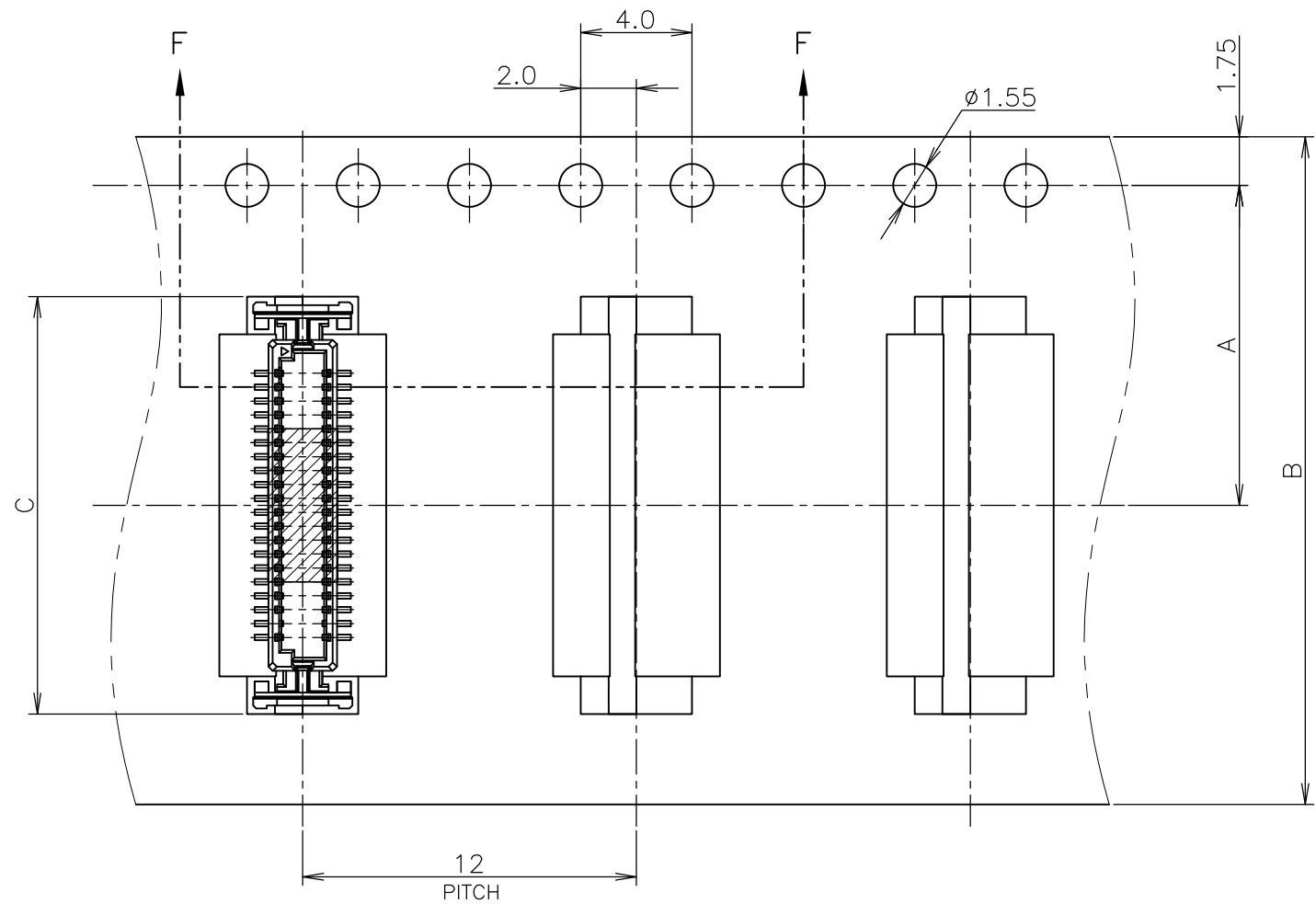
Tel: +86-755-8981 8866 Fax: +86-755-8427 6832

Email & Skype: info@chipsmall.com Web: www.chipsmall.com

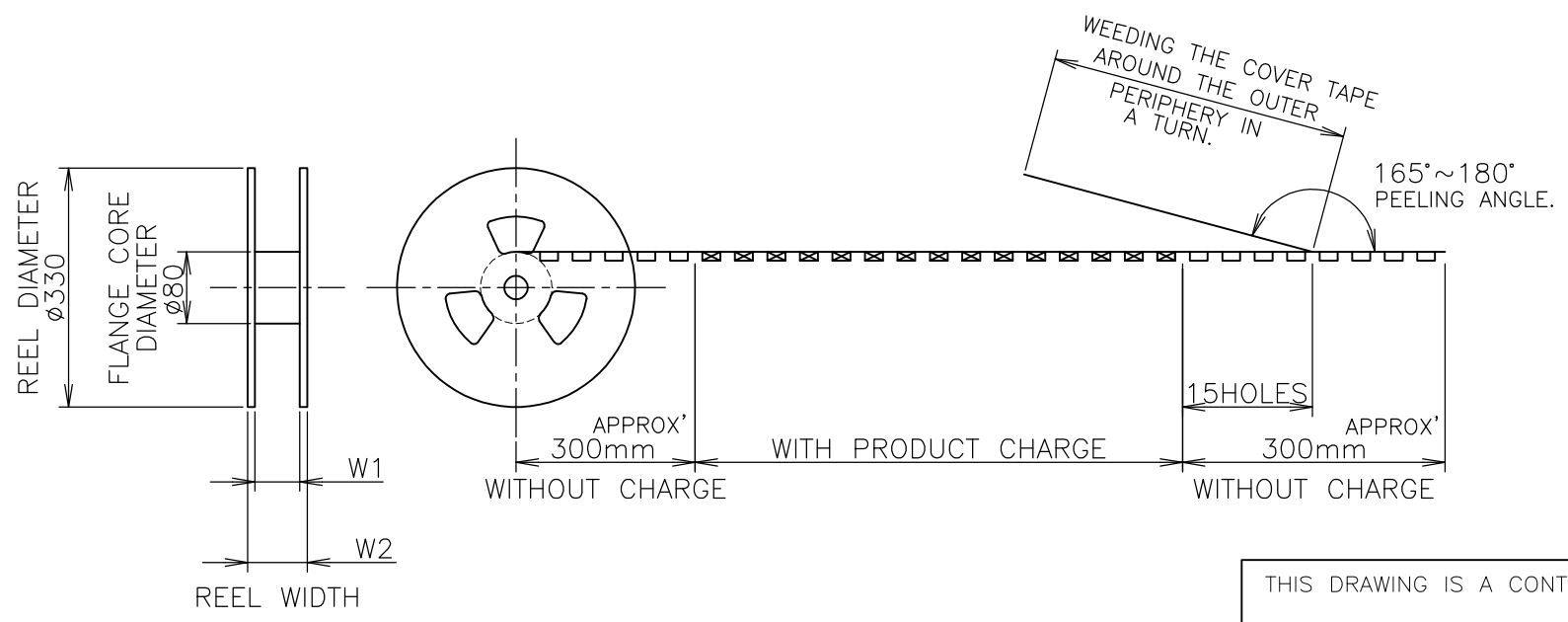
Address: A1208, Overseas Decoration Building, #122 Zhenhua RD., Futian, Shenzhen, China



LOC ES	DIST	REVISIONS 变更			DATE	DWN	APVD
		P	LTR	DESCRIPTION			
			B1	REVISED	09SEP2010	B.L	S.Y



TOP OF REEL



28.4	24.4	0.4	15.0	24	11.5	1500	40	4-5353515-5
28.4	24.4	0.4	15.0	24	11.5	1500	40	4-5353515-0
28.4	24.4	0.4	12.5	24	11.5	1500	30	3-5353515-0
20.4	16.4	0.4	9.75	16	7.5	1500	20	2-5353515-0
W2	W1	E	C	B	A	QTY/REEL	POS	TAPING P/N

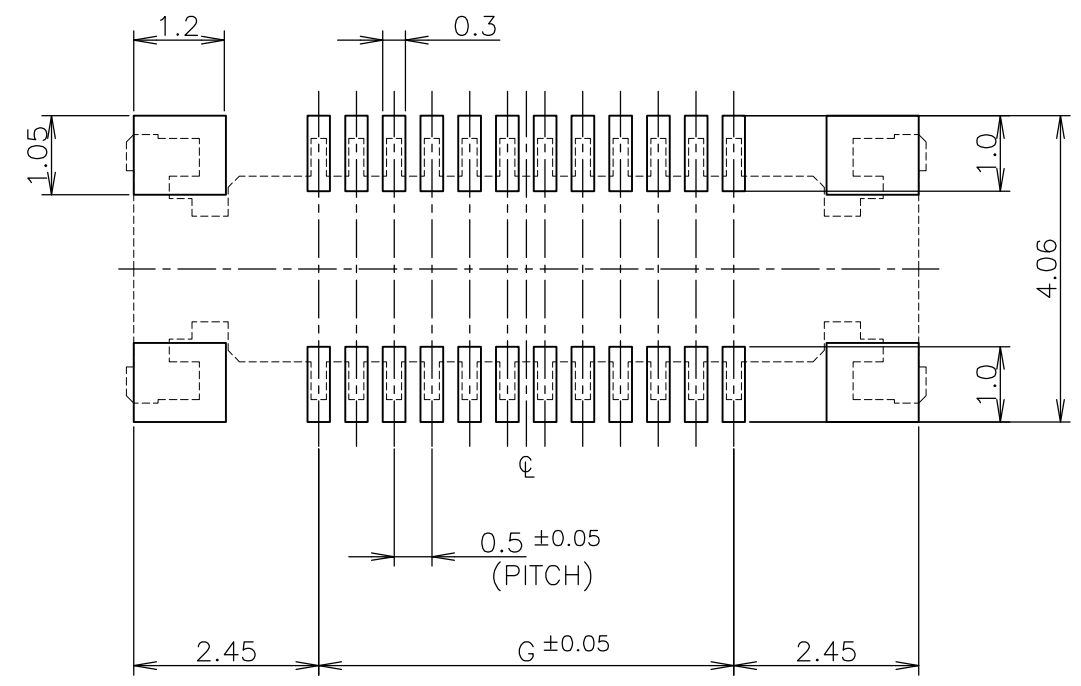
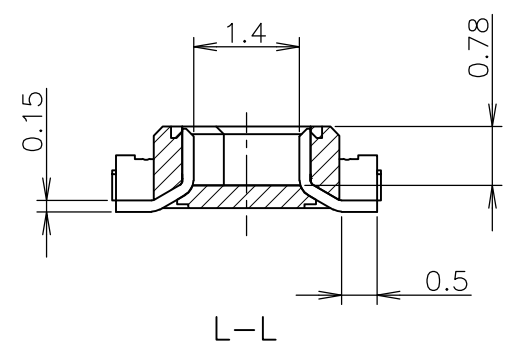
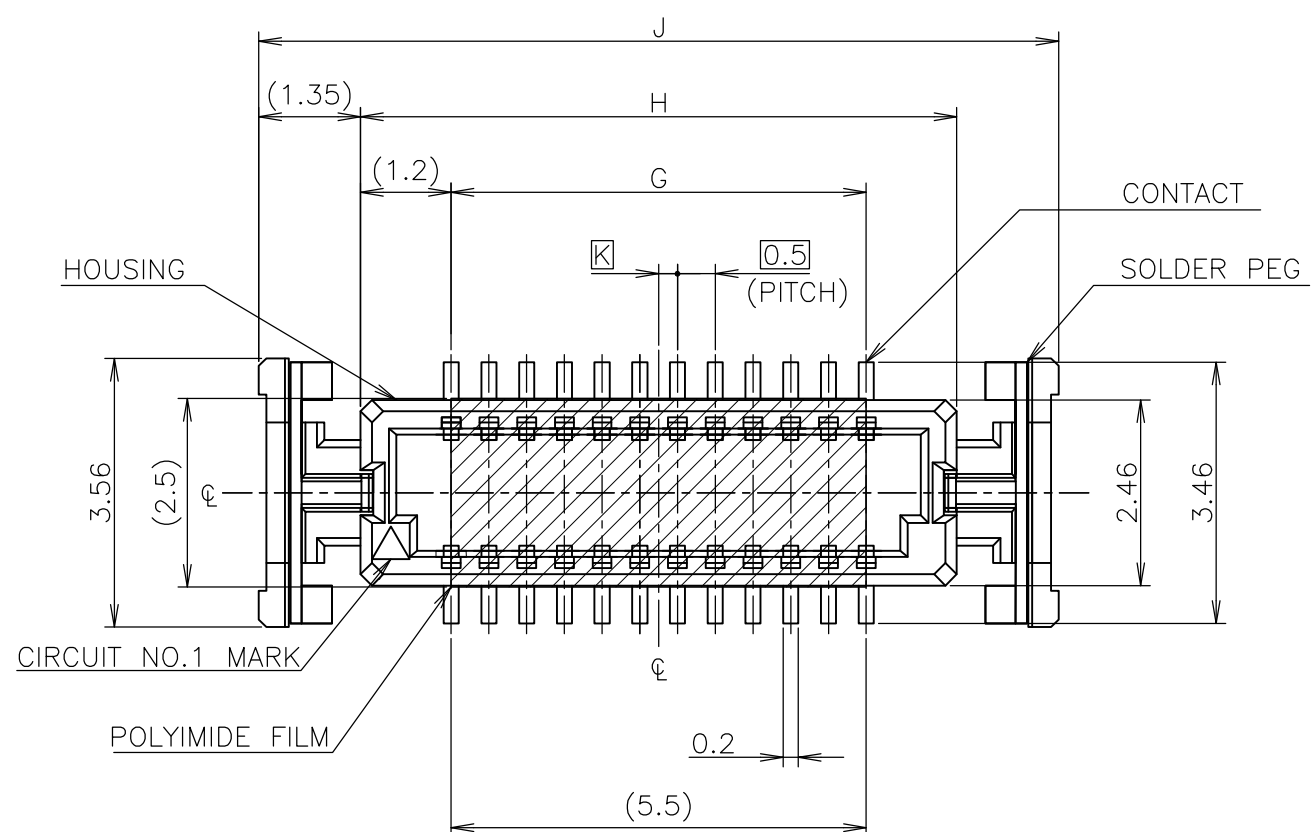
INSTRUCTION SHEET  
 411-5781

THIS DRAWING IS A CONTROLLED DOCUMENT.		DWN BILL LV 09SEP2010	Tyco Electronics Shanghai, P.R.China, 200233	
DIMENSIONS: 单位: 耗 mm		CHK MARTIN LI 09SEP2010	NAME STEVEN YAO	
TOLERANCES UNLESS OTHERWISE SPECIFIED: 一般公差		APVD STEVEN YAO 09SEP2010	ON TAPING EMBOSS 0.5mm PITCH FS CONN. TAB ASSEMBLY WITH KEY & WITHOUT BOSS & POLYIMIDE FILM ®	
0 PLC ± 0.2 1 PLC ± 0.2 2 PLC ± 0.2 3 PLC ± 0.2 4 PLC ± 0.2 ANGLES ± 3'		PRODUCT SPEC 製品規格 108-60048	SIZE A3	CAGE CODE 00779
MATERIAL 材料		FINISH 仕上	DRAWING NO 番号 G-5353515	RESTRICTED TO
CUSTOMER DRAWING		WEIGHT	SCALE 尺度 4:1	SHEET 1 OF 2
			REV B1	

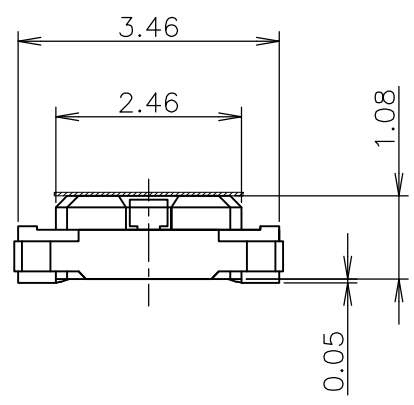
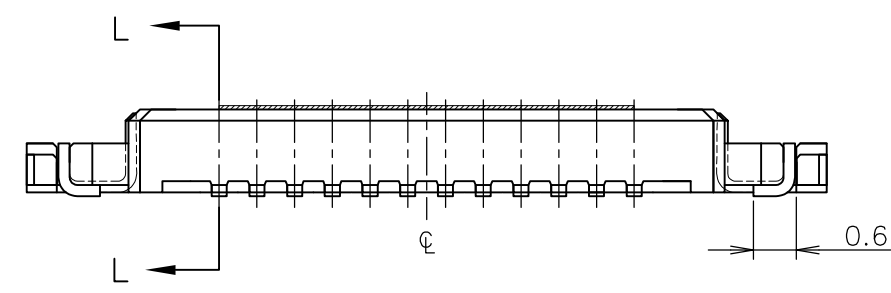
THIS DRAWING IS UNPUBLISHED. RELEASED FOR PUBLICATION NOV, 2004.

© COPYRIGHT 2004 BY TYCO ELECTRONICS CORPORATION. ALL RIGHTS RESERVED.

LOC	DIST	REVISIONS					
ES		P	LTR	DESCRIPTION	DATE	DWN	APVD
			-	SEE SHEET 1	-	-	-



(T=0.6 MIN.)  
P.C. BOARD LAYOUT (REF.)



- 1 MATING COUNTER PART NUMBER: 5353511
- △ MATERIAL  
HOUSING: HIGH HEAT-RESISTED  
CONTACT: COPPER ALLOY (t=0.15), Au PLATING.  
SOLDER PEG: COPPER ALLOY (t=0.15), TIN PLATING.
- △ CONTACT: Au PLATING (0.00076mm)

△	0.25	14.6	12.8	9.5	40	4-5353515-5
	0.25	14.6	12.8	9.5	40	4-5353515-0
	—	12.1	10.3	7	30	3-5353515-0
	0.25	9.6	7.8	4.5	20	2-5353515-0
	K	J	H	G	POS.	PART NO.

THIS DRAWING IS A CONTROLLED DOCUMENT.	
DIMENSIONS: 单位: 耗 mm	TOLERANCES UNLESS OTHERWISE SPECIFIED: 一般公差
	0 PLC ± 0.2 1 PLC ± 0.2 2 PLC ± 0.2 3 PLC ± 0.2 4 PLC ± 0.2 ANGLES ± 3'
MATERIAL 材料	FINISH 仕上

INSTRUCTION SHEET 411-5781		DWN		Tyco Electronics Shanghai, P.R.China, 200233	
CHK		APVD		NAME 名称	
PRODUCT SPEC 製品規格		APPLICATION SPEC 取付適用規格		ON TAPING EMBOSS 0.5mm PITCH FS CONN. TAB ASSEMBLY WITH KEY & WITHOUT BOSS & POLYIMIDE FILM ⊗	
WEIGHT	SIZE A3	CAGE CODE 00779	DRAWING NO G-5353515	RESTRICTED TO	
CUSTOMER DRAWING			SCALE 尺度 10:1	SHEET 2 OF 2	REV B1