



Chipsmall Limited consists of a professional team with an average of over 10 year of expertise in the distribution of electronic components. Based in Hongkong, we have already established firm and mutual-benefit business relationships with customers from,Europe,America and south Asia,supplying obsolete and hard-to-find components to meet their specific needs.

With the principle of "Quality Parts,Customers Priority,Honest Operation,and Considerate Service",our business mainly focus on the distribution of electronic components. Line cards we deal with include Microchip,ALPS,ROHM,Xilinx,Pulse,ON,Everlight and Freescale. Main products comprise IC,Modules,Potentiometer,IC Socket,Relay,Connector.Our parts cover such applications as commercial,industrial, and automotives areas.

We are looking forward to setting up business relationship with you and hope to provide you with the best service and solution. Let us make a better world for our industry!



Contact us

Tel: +86-755-8981 8866 Fax: +86-755-8427 6832

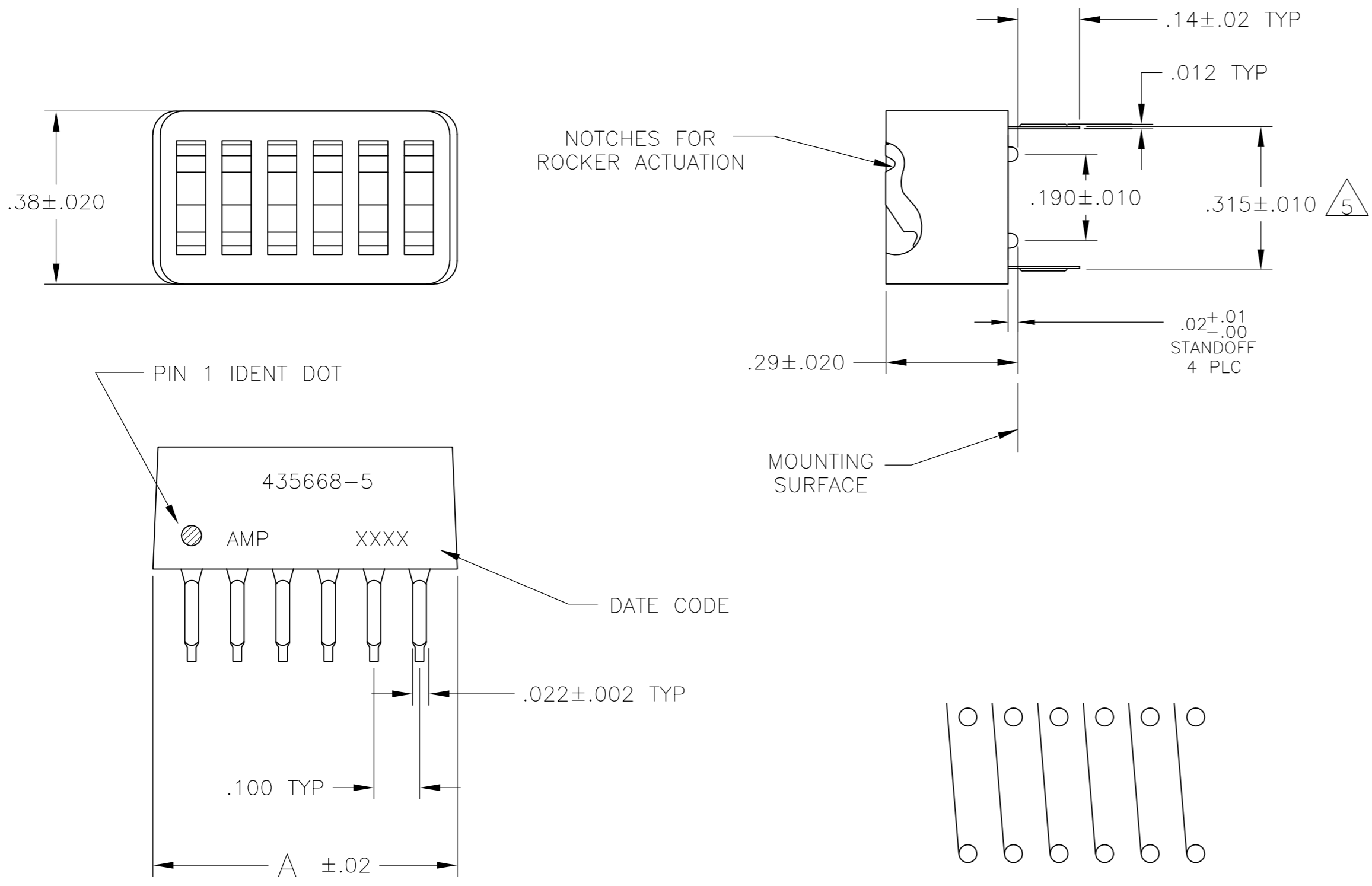
Email & Skype: info@chipsmall.com Web: www.chipsmall.com

Address: A1208, Overseas Decoration Building, #122 Zhenhua RD., Futian, Shenzhen, China



THIS DRAWING IS UNPUBLISHED. RELEASED FOR PUBLICATION
 © COPYRIGHT - By - ALL RIGHTS RESERVED.

LOC		DIST		REVISIONS			
P	LTR	DESCRIPTION		DATE	DWN	APVD	
AD	00	A2	REVISED PER ECO-11-004917		11MAR11	RK	HMR



- FOR ADDITIONAL SPECIFICATIONS SEE AMP PRODUCT SPEC 108-7532.
- SWITCH SHOWN IN OPEN POSITION.
- ALL CHARACTERS AND ROCKERS ARE WHITE, HOUSING IS BLUE.
- STAMPING WILL VARY ON 2 AND 3 POSITION SIDES DUE TO SPACE RESTRICTIONS.
- $\triangle 5$.315 DIMENSION APPLIES AT TERMINAL TIPS. TERMINALS ARE .300 +.010 AT MOUNTING SURFACE. -.000
- ALL MATERIALS AND FINISHES SHALL COMPLY WITH EU DIRECTIVE 2002 /95/EC OF 27JAN2003 (ROHS).
- $\triangle 7$ MATERIAL: HOUSING AND ROCKERS - POLYESTER
CONTACT & SOLDER LEAD - COPPER ALLOY
- $\triangle 8$ FINISH: CONTACT - GOLD OVER NICKEL
SOLDER LEAD - TIN OVER NICKEL
- $\triangle 9$ OBSOLETE PARTS: OBSOLETE CIS STREAMLINING PER D.RENAUD/D.SINISI

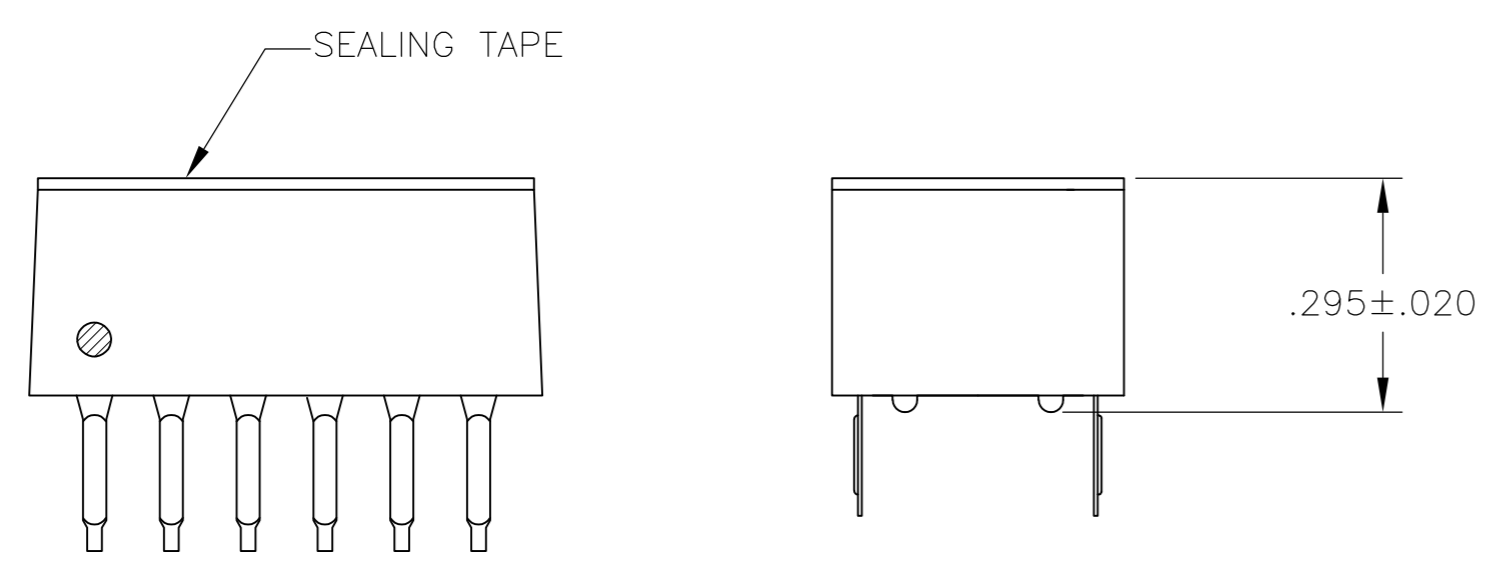
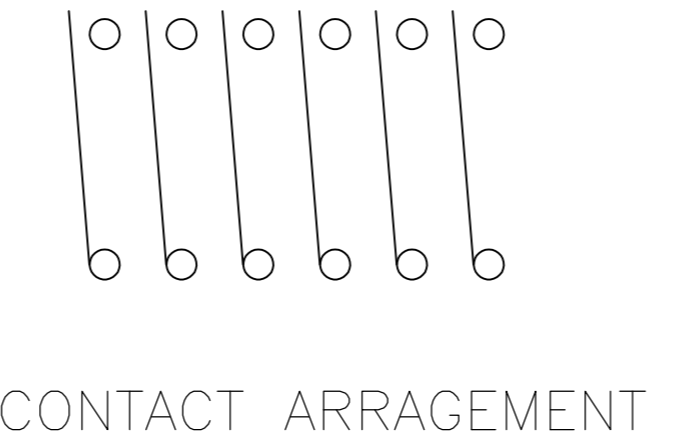
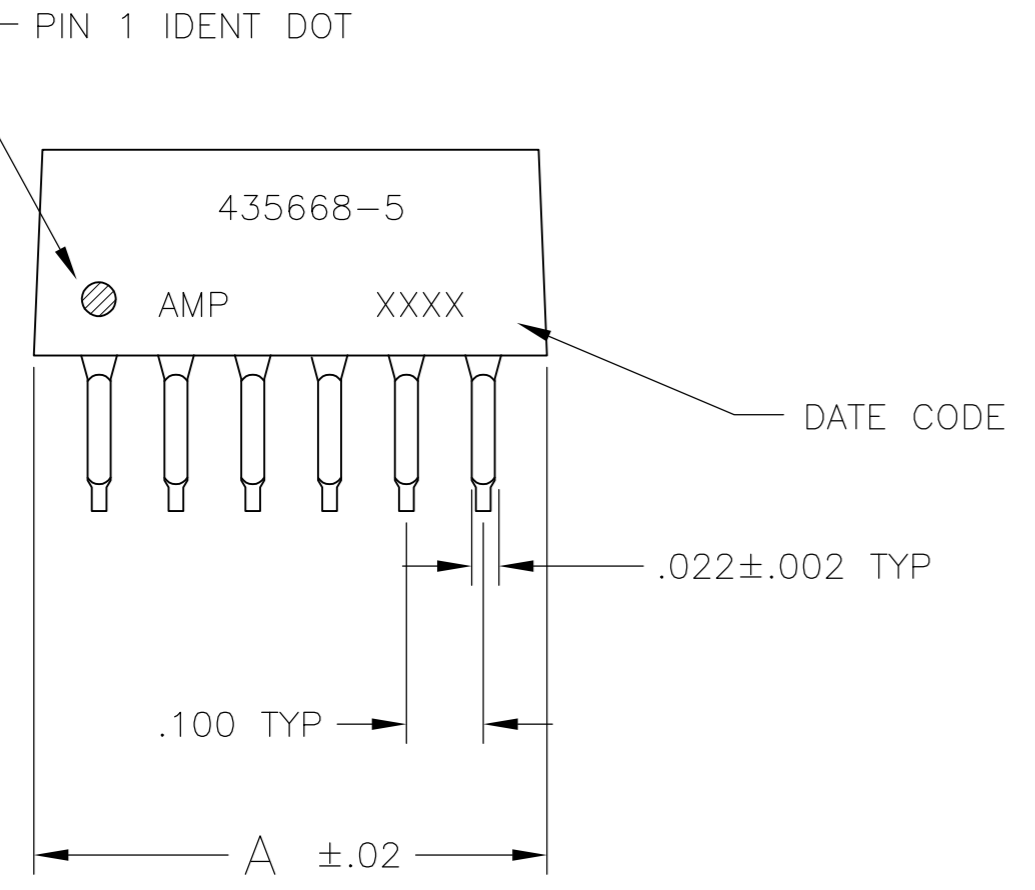


FIG 1

FIG	DESCRIPTION	QTY	UNIT	NO	OF POSN	PART NO
$\triangle 9$ OBSOLETE	FIG 7	—	—	.58	5	8-5435668-7
				.58	5	3-5435668-5
				.48	4	3-5435668-4
				.38	3	3-5435668-3
$\triangle 9$ OBSOLETE	FIG 1			1.28	12	3-5435668-2
$\triangle 9$ OBSOLETE				1.18	11	3-5435668-1
				1.08	10	3-5435668-0
$\triangle 9$ OBSOLETE				.98	9	2-5435668-9
				.88	8	2-5435668-8
				.78	7	2-5435668-7
				.28	2	2-5435668-6
				.68	6	2-5435668-5
				1.08	10	5435668-9
				.88	8	5435668-7
			.68	6	5435668-5	
			.58	5	5435668-4	
			.48	4	5435668-3	
$\triangle 9$ OBSOLETE			.28	2	5435668-1	

THIS DRAWING IS A CONTROLLED DOCUMENT.		DWN BSV	OBJAN05	TE TE Connectivity	
DIMENSIONS: INCHES		CHK —	APVD —		
TOLERANCES UNLESS OTHERWISE SPECIFIED:		PRODUCT SPEC —		SWITCH ASSY, DIP, TYPE C, 7100 SERIES, SPST, LOW PROFILE	
0 PLC ± -		APPLICATION SPEC —		SIZE	RESTRICTED TO
1 PLC ± -		WEIGHT —		CAGE CODE	A2 00779
2 PLC ± -		CUSTOMER DRAWING		DRAWING NO	
3 PLC ± .005		SCALE 4:1		C=5435668	
4 PLC ± -		SHEET 1 of 2		REV A2	
ANGLES ± -		REV			
FINISH					

THIS DRAWING IS UNPUBLISHED. RELEASED FOR PUBLICATION
 © COPYRIGHT - By - ALL RIGHTS RESERVED.

LOC	DIST	REVISIONS					
		P	LTR	DESCRIPTION	DATE	DWN	APVD
AD	00	-	-	SEE SHEET 1	-	-	-

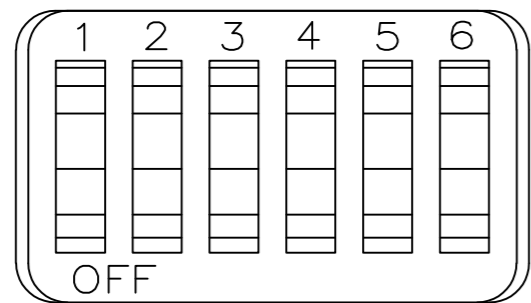


FIG 2

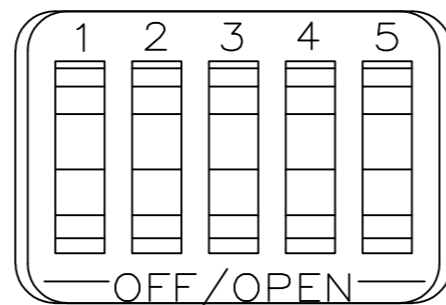


FIG 7

THIS DRAWING IS A CONTROLLED DOCUMENT.		DWN	08JAN05			TE Connectivity	
DIMENSIONS: INCHES		BSV	-			SWITCH ASSY, DIP, TYPE C, 7100 SERIES, SPST, LOW PROFILE	
TOLERANCES UNLESS OTHERWISE SPECIFIED:		CHK	-		NAME		
0 PLC ± -		APVD	-		SIZE		
1 PLC ± -		PRODUCT SPEC	-		CAGE CODE		
2 PLC ± -		APPLICATION SPEC	-		DRAWING NO		
3 PLC ± .005		WEIGHT	-		RESTRICTED TO		
4 PLC ± -		MATERIAL	-		A2 00779 C=5435668		
ANGLES ± -		FINISH	-		SCALE 4:1 SHEET 2 of 2 REV A2		
CUSTOMER DRAWING							