



Chipsmall Limited consists of a professional team with an average of over 10 year of expertise in the distribution of electronic components. Based in Hongkong, we have already established firm and mutual-benefit business relationships with customers from,Europe,America and south Asia,supplying obsolete and hard-to-find components to meet their specific needs.

With the principle of “Quality Parts,Customers Priority,Honest Operation,and Considerate Service”,our business mainly focus on the distribution of electronic components. Line cards we deal with include Microchip,ALPS,ROHM,Xilinx,Pulse,ON,Everlight and Freescale. Main products comprise IC,Modules,Potentiometer,IC Socket,Relay,Connector.Our parts cover such applications as commercial,industrial, and automotives areas.

We are looking forward to setting up business relationship with you and hope to provide you with the best service and solution. Let us make a better world for our industry!



Contact us

Tel: +86-755-8981 8866 Fax: +86-755-8427 6832

Email & Skype: info@chipsmall.com Web: www.chipsmall.com

Address: A1208, Overseas Decoration Building, #122 Zhenhua RD., Futian, Shenzhen, China

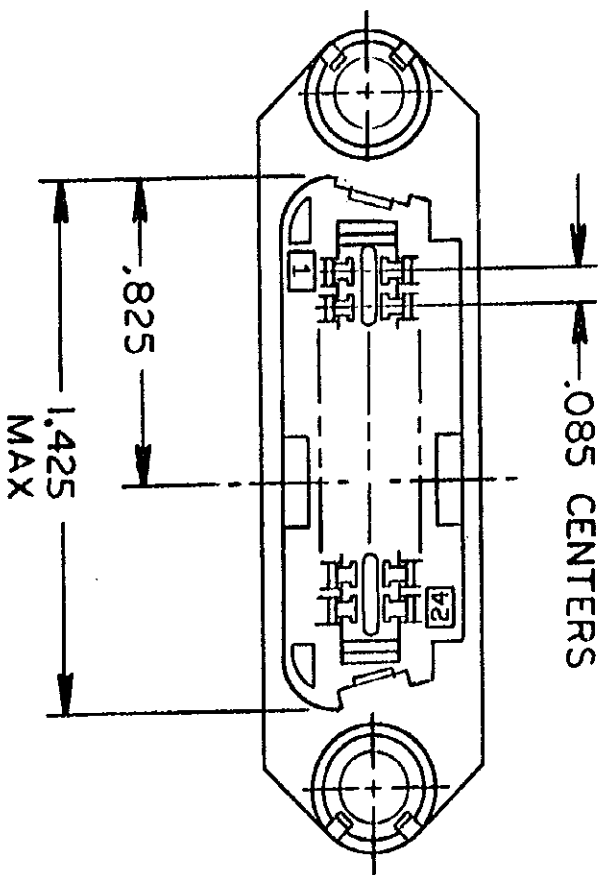
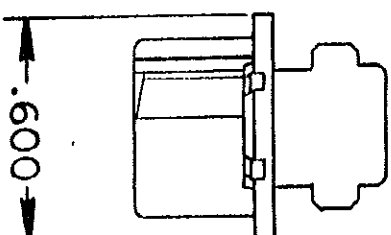
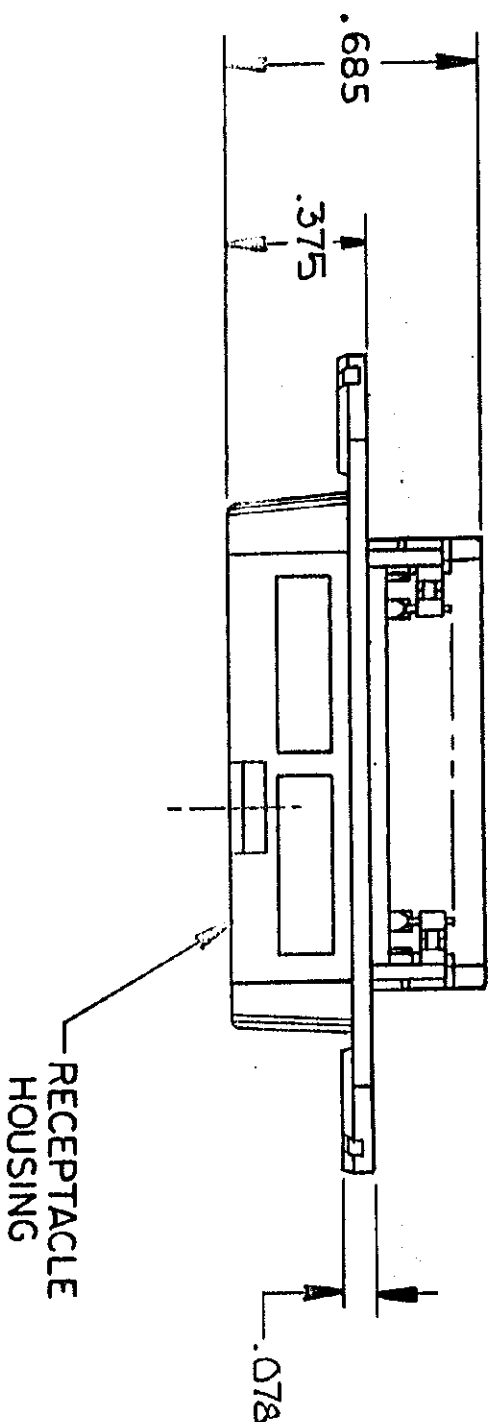
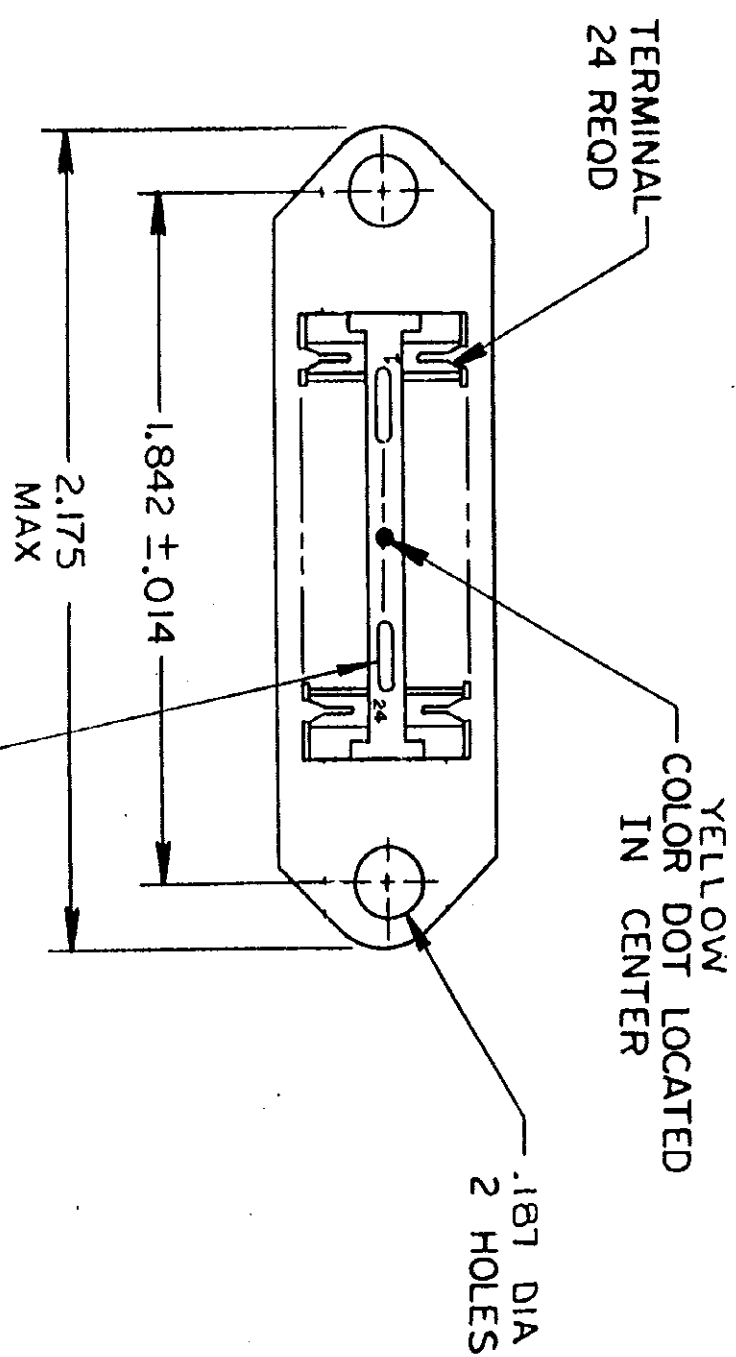


© COPYRIGHT 1974 BY AMP INCORPORATED, HARRISBURG, PA. ALL INTERNATIONAL RIGHTS RESERVED. AMP INCORPORATED PRODUCTS COVERED BY U. S. AND FOREIGN PATENTS AND/OR PATENTS PENDING.

3

2

Loc DIST
AA 20



REVISIONS						
P	F	ZONE	LTR	DESCRIPTION	DATE	APPROVED
H	V	H	-1	SUPERSEDED BY 2/11/EN AA-4739	8/15/80	[Signature]

1. THE CONTACT SURFACES OF THE TERMINALS ARE COATED WITH LUBRICANT.
2. ALL DIMENSIONS SHOWN ARE FOR REFERENCE ONLY UNLESS OTHERWISE SPECIFIED. MATERIAL: HOUSING - THERMOPLASTIC (BLK) TERMINALS - GOLD OVER NICKEL PLATED HIGH STRENGTH COPPER ALLOY.
3. COATING MAY OR MAY NOT APPEAR AND IS AT THE DISCRETION OF AMP INCORPORATED.
4. WIRE SIZE: 26-27-28 AWG 7 STRANDS OF COPPER CONDUCTORS. MAX INSULATION DIA OF .045 IS ACCEPTABLE FOR MOST APPLICATIONS.

UNLESS OTHERWISE SPECIFIED DIMENSIONS ARE IN INCHES. TOLERANCES ON: DECIMALS ± # ANGLES #		CONTRACT NO		NAME	
MATERIAL		DR 1-2-80		AMP INCORPORATED Harrisburg, Pa	
FINISH		CHK <i>V. S. Shaw 1/13/80</i>		THIN FLANGE 2-552474-1	
APPD <i>B. G. ... 1/13/80</i>		APPD <i>Wendell ... 1/13/80</i>		DESCRIPTION	
DSGN APPD		OTHER APPD		PART NO	
SCALE 2/1		SIZE CODE IDENT NO DRAWING NO		ASSY, RCPT, 24 POSN, E SLOT (CHAMP-LOK, W/.187 DIA HOLES)	
SHEET 1 OF 1		00779		552474	

552474