



Chipsmall Limited consists of a professional team with an average of over 10 year of expertise in the distribution of electronic components. Based in Hongkong, we have already established firm and mutual-benefit business relationships with customers from,Europe,America and south Asia,supplying obsolete and hard-to-find components to meet their specific needs.

With the principle of “Quality Parts,Customers Priority,Honest Operation,and Considerate Service”,our business mainly focus on the distribution of electronic components. Line cards we deal with include Microchip,ALPS,ROHM,Xilinx,Pulse,ON,Everlight and Freescale. Main products comprise IC,Modules,Potentiometer,IC Socket,Relay,Connector.Our parts cover such applications as commercial,industrial, and automotives areas.

We are looking forward to setting up business relationship with you and hope to provide you with the best service and solution. Let us make a better world for our industry!



Contact us

Tel: +86-755-8981 8866 Fax: +86-755-8427 6832

Email & Skype: info@chipsmall.com Web: www.chipsmall.com

Address: A1208, Overseas Decoration Building, #122 Zhenhua RD., Futian, Shenzhen, China



Plug Assembly, Vertical

Material and Finish

Housing and tine plate—LCP, rated 94V-0, SMT compatible, black

Contacts—Phosphor bronze, plated .000030 [0.00076] min. gold in mating area, and .00015 [0.0038] min. tin-lead on solder tines, all over .000050 [0.00127] min. nickel underplating

Retention Leg (boardlock)—Brass, plated .00015 [0.0038] tin-lead over .000050 [0.00127] nickel underplating

Related Data

PC Board Accommodation

.031 [0.79] to .063 [1.60] nom. thick

Technical Documents

Product Specification

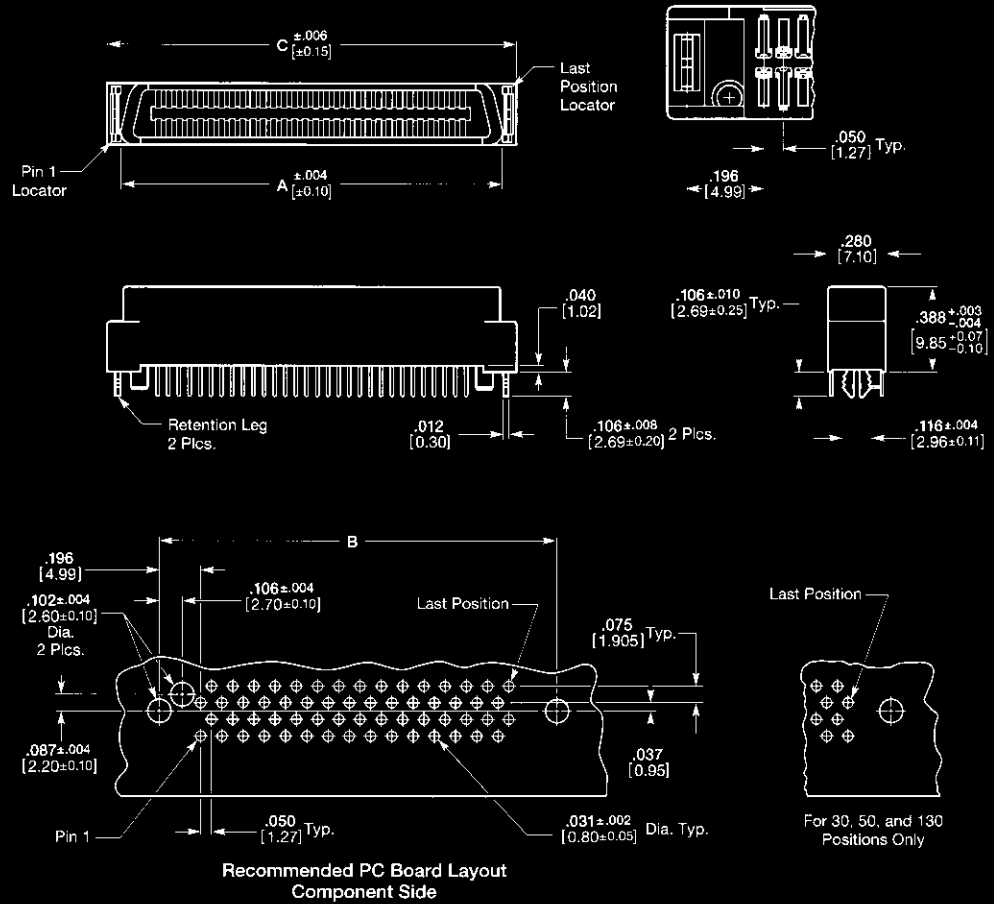
108-1367

Application Specification

114-6045

Instruction Sheet

IS-499J



No. of Positions	Dimensions			Part Numbers
	A	B	C	
30	1.028 26.12	1.093 27.76	1.197 30.40	557102-1
40	1.278 32.47	1.343 34.11	1.447 36.75	557102-5
60	1.778 45.17	1.843 46.81	1.947 49.45	1-557102-3
68*	1.978 50.25	2.043 51.89	2.147 54.53	1-557102-7
80**	2.279 57.87	2.343 59.51	2.447 62.15	2-557102-1
100	2.778 70.57	2.843 72.21	2.947 74.85	2-557102-5
120	3.278 83.27	3.343 84.91	3.447 87.55	2-557102-9
130	3.528 89.61	3.593 91.26	3.697 93.90	3-557102-3
140	3.778 95.97	3.843 97.61	3.947 100.25	4-557102-9
160	4.278 108.67	4.343 110.31	4.447 112.95	3-557102-7
180	4.778 121.37	4.843 123.01	4.947 125.65	5-557102-3
200	5.278 134.07	5.343 135.71	5.447 138.35	4-557102-1

* 68-Position Connector for VMC Standard
**80-Position Connector for VAFC Standard