



Chipsmall Limited consists of a professional team with an average of over 10 year of expertise in the distribution of electronic components. Based in Hongkong, we have already established firm and mutual-benefit business relationships with customers from,Europe,America and south Asia,supplying obsolete and hard-to-find components to meet their specific needs.

With the principle of “Quality Parts,Customers Priority,Honest Operation,and Considerate Service”,our business mainly focus on the distribution of electronic components. Line cards we deal with include Microchip,ALPS,ROHM,Xilinx,Pulse,ON,Everlight and Freescale. Main products comprise IC,Modules,Potentiometer,IC Socket,Relay,Connector.Our parts cover such applications as commercial,industrial, and automotives areas.

We are looking forward to setting up business relationship with you and hope to provide you with the best service and solution. Let us make a better world for our industry!



## Contact us

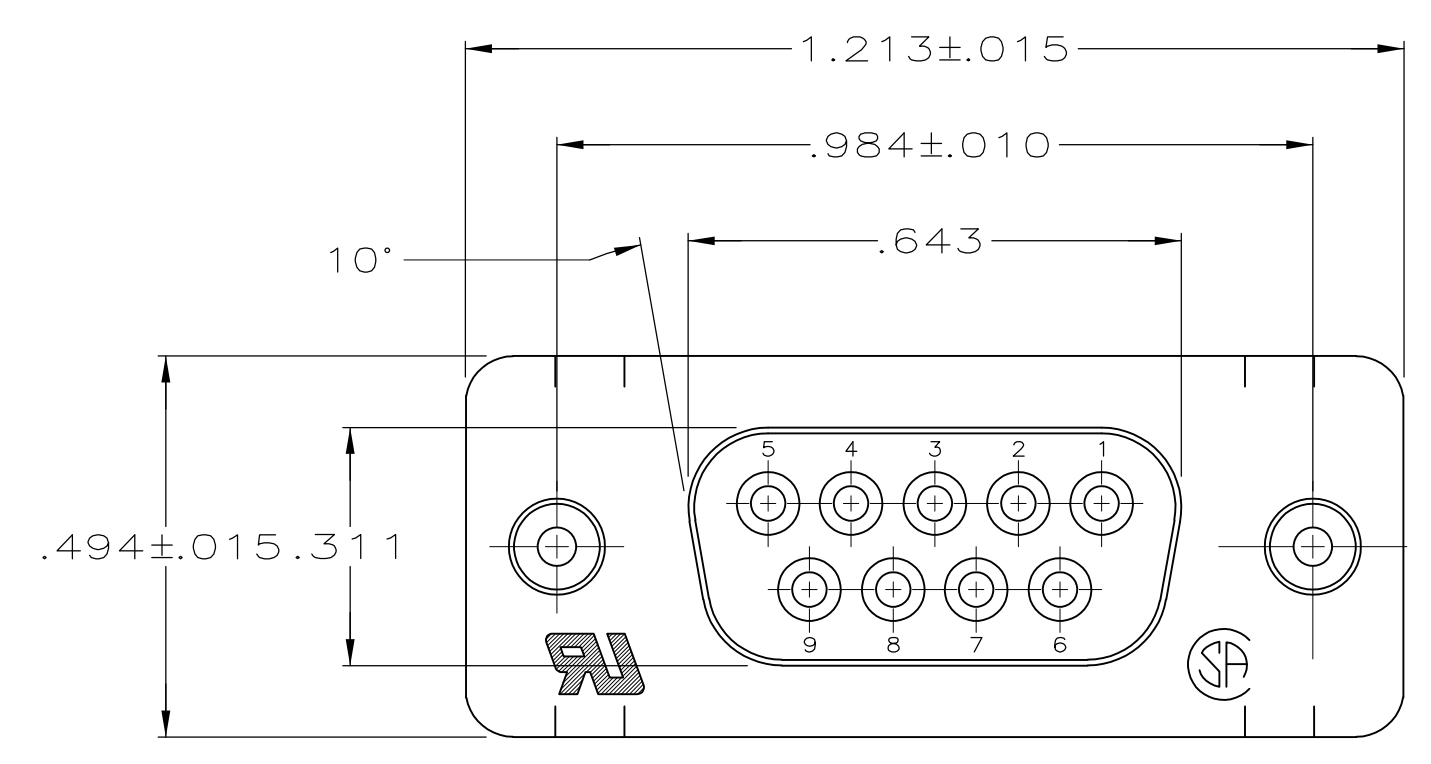
Tel: +86-755-8981 8866 Fax: +86-755-8427 6832

Email & Skype: info@chipsmall.com Web: www.chipsmall.com

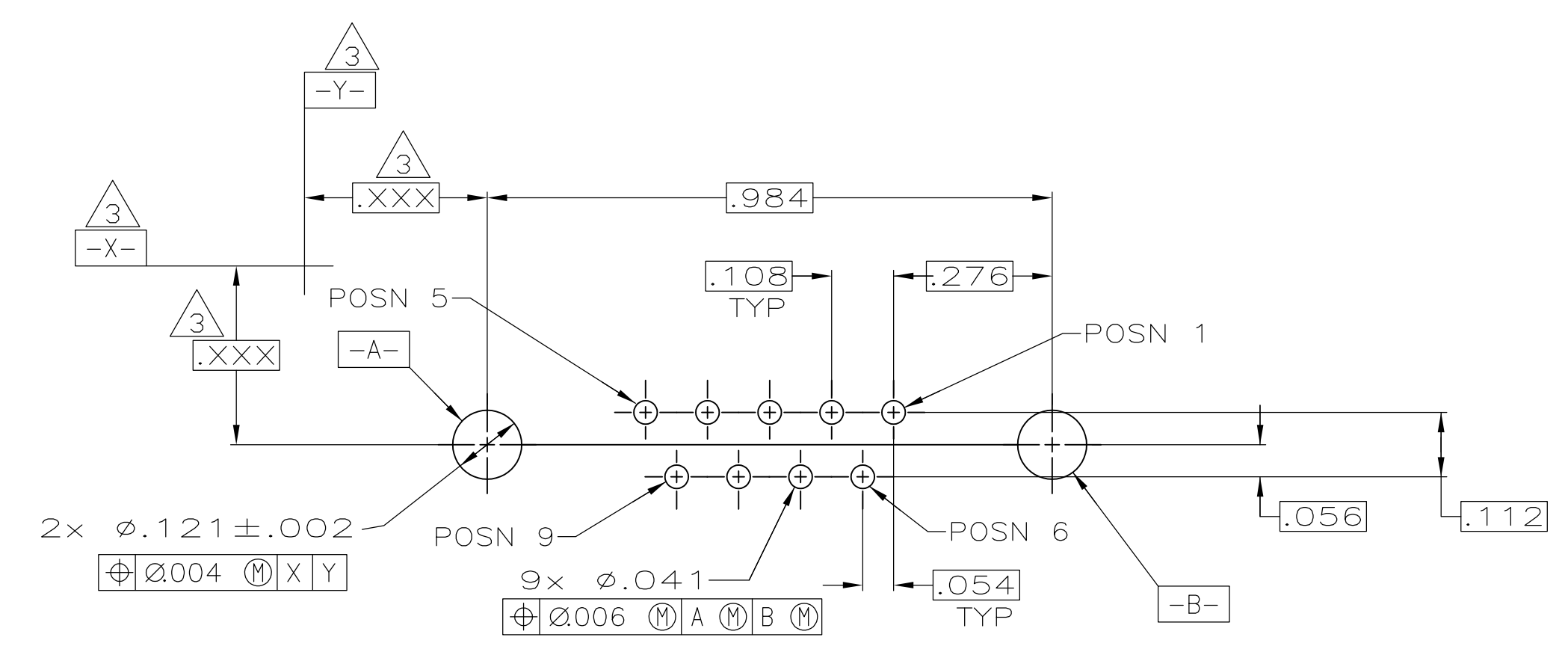
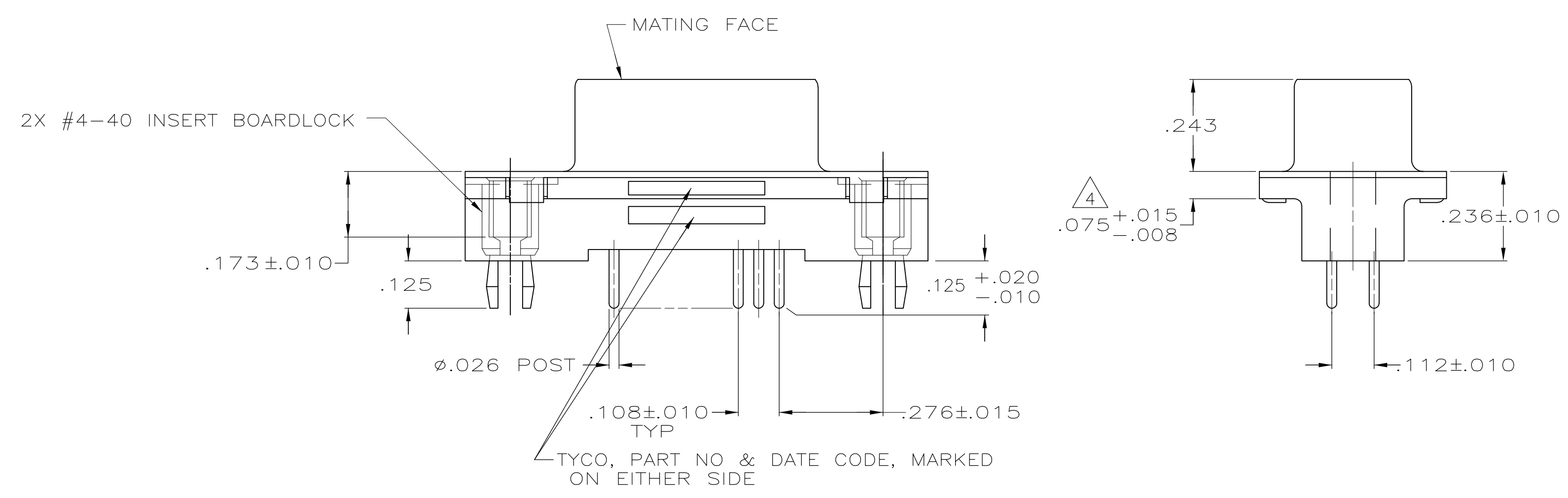
Address: A1208, Overseas Decoration Building, #122 Zhenhua RD., Futian, Shenzhen, China



REVISIONS					
P	LTR	DESCRIPTION	DATE	DMN	APVD
B		REVISED PER ECO-16-001548	24FEB2016	AP	DG



- 1 HOUSING: FLAME RETARDANT, 94V-0 RATED, THERMOPLASTIC; COLOR: BLACK.  
SHELL: CARBON STEEL.  
CONTACTS: PHOS BRONZE.  
INSERT BOARDLOCKS: BRASS.
- 2 SHELL: .000200 MIN TIN OVER .000100 MIN COPPER.  
CONTACTS: .000030 MIN GOLD FOR LENGTH OF .100 MIN FROM MATING END, .000100 MIN TIN ON TERMINATION END, ALL OVER .000050 MIN NICKEL ON ENTIRE CONTACT.  
INSERT BOARDLOCKS: .000150 MIN TIN OVER .000100 MIN COPPER.
- 3 DATUMS AND BASIC DIMENSIONS ESTABLISHED BY CUSTOMER.
- 4 .110 MAX IN SHELL TAB CLINCH AREAS.



PC BOARD MOUNTING DIMENSIONS  
CONNECTOR SIDE OF BOARD  
.062 PC BOARD THICKNESS

COPYRIGHT 2005  
TE CONNECTIVITY CORP  
ALL RIGHTS RESERVED

2-5747706-0  
PART NO

THIS DRAWING IS A CONTROLLED DOCUMENT.		DIN B LATTUCA 28SEPT05	TE Connectivity	
DIMENSIONS: INCHES		CHK S BOLASH 28SEPT05		
TOLERANCES UNLESS OTHERWISE SPECIFIED:		APPD M WALMSLEY 28SEPT05	NAME	
0 PLC ± -			RECTACLE ASSEMBLY, SIZE 1, 9 POS., VERTICAL, .026 DIA. POSTS, FRONT METAL SHELL, RETENTION INSERTS, AMPLIMITE HD-20	
1 PLC ± -			PRODUCT SPEC	
2 PLC ± -			108-40025	
3 PLC ± .005			APPLICATION SPEC	
4 PLC ± -			114-40023	
ANGLES ± ±			SIZE CAGE CODE DRAWING NO RESTRICTED TO	
MATERIAL	FINISH	WEIGHT	A1 00779 C=5747706	
CUSTOMER DRAWING		SCALE 4:1	SHEET 1 OF 1 REV B	