



Chipsmall Limited consists of a professional team with an average of over 10 year of expertise in the distribution of electronic components. Based in Hongkong, we have already established firm and mutual-benefit business relationships with customers from,Europe,America and south Asia,supplying obsolete and hard-to-find components to meet their specific needs.

With the principle of “Quality Parts,Customers Priority,Honest Operation,and Considerate Service”,our business mainly focus on the distribution of electronic components. Line cards we deal with include Microchip,ALPS,ROHM,Xilinx,Pulse,ON,Everlight and Freescale. Main products comprise IC,Modules,Potentiometer,IC Socket,Relay,Connector.Our parts cover such applications as commercial,industrial, and automotives areas.

We are looking forward to setting up business relationship with you and hope to provide you with the best service and solution. Let us make a better world for our industry!



Contact us

Tel: +86-755-8981 8866 Fax: +86-755-8427 6832

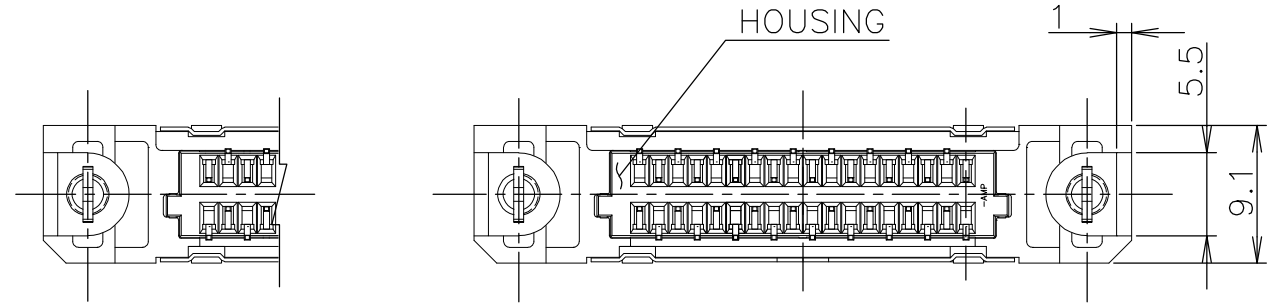
Email & Skype: info@chipsmall.com Web: www.chipsmall.com

Address: A1208, Overseas Decoration Building, #122 Zhenhua RD., Futian, Shenzhen, China

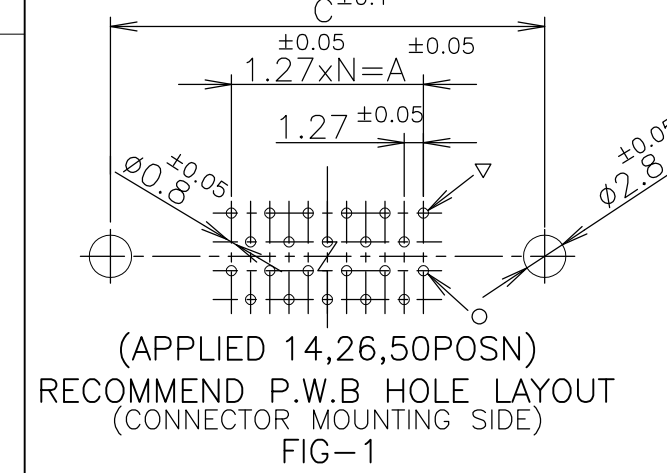
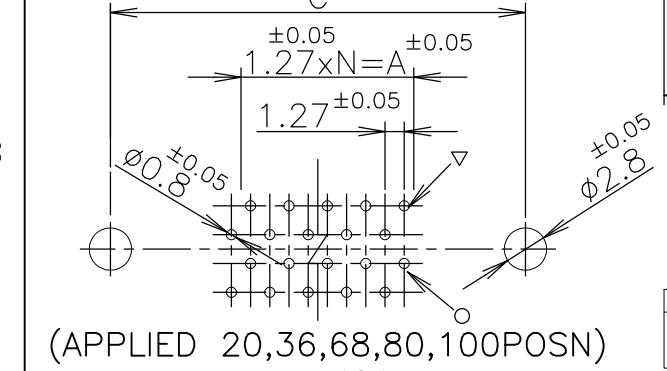
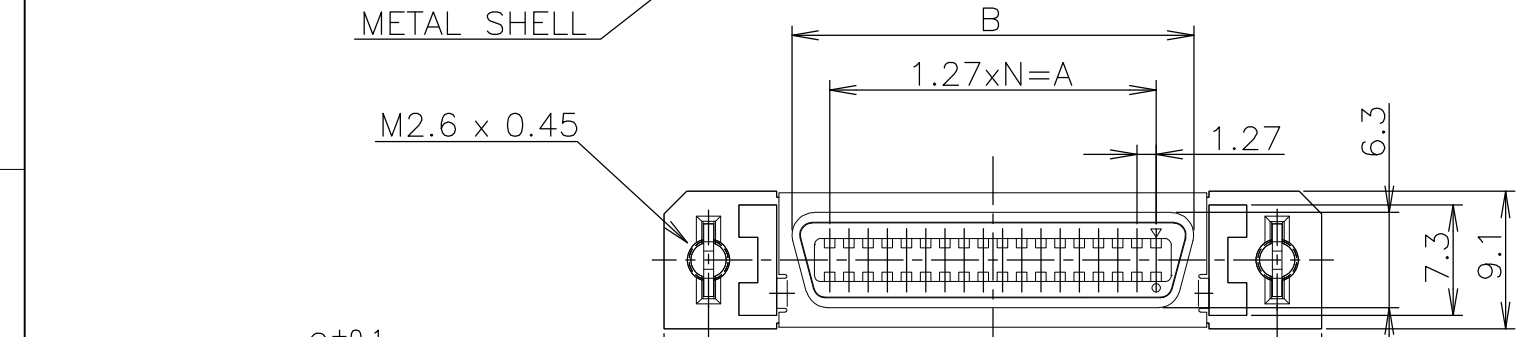
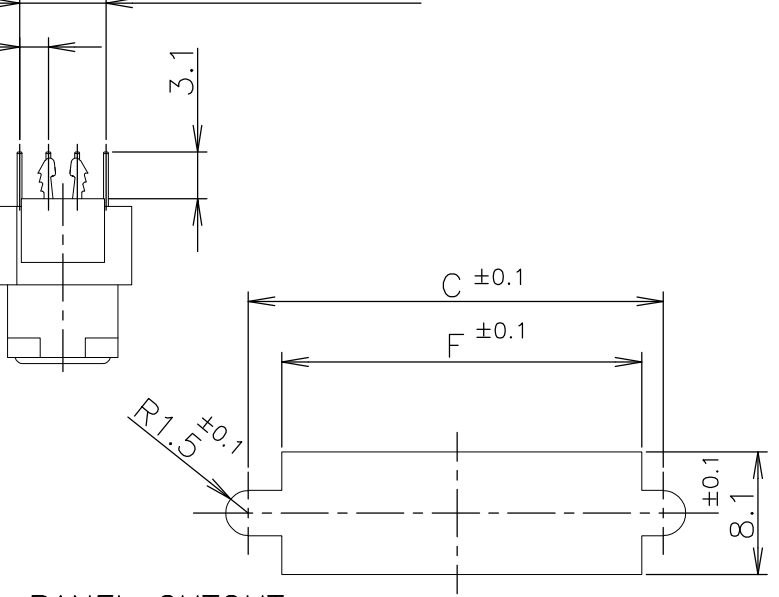
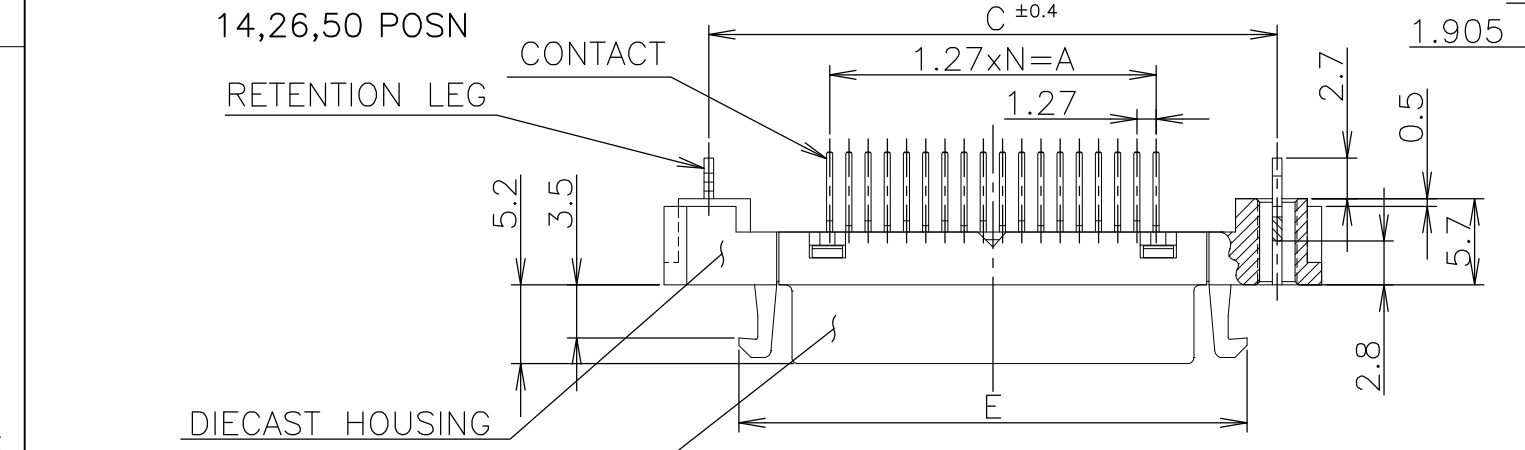


THIS DRAWING IS UNPUBLISHED. RELEASED FOR PUBLICATION SEP ,2004.
 © COPYRIGHT 2004 By - ALL RIGHTS RESERVED.

LOC	DIST	REVISIONS			
P	LTR	DESCRIPTION	DATE	DWN	APVD
J					
P		REVISED PER ECO-11-005033	28MAR11	RK	HMR



- 1 USED SCREW SIZE; M2.6 PANHEAD SCREW.
- 2 CONNECTOR TO BE MATED; 175677,175751
- △ MATERIAL AND FINISH;
 - * CONTACT; PHOS-BRONZE
FIN.; AU PLATING OVER Ni UNDER PLATING ON CONTACT AREA.
TIN PLATING OVER Ni UNDER PLATING ON SOLDER TINE AREA.
 - * METAL SHELL; STEEL
FIN.; Ni PLATING OVER COPPER UNDER PLATING.
 - * DIECAST HOUSING; ZINC
FIN.; Ni PLATING OVER COPPER UNDER PLATING.
 - * HOUSING; THERMOPLASTIC, UL94V-0, BLACK
 - * RETENTION LEG; BRASS,
TIN PLATING WITH OVER NICKEL PLATING OVER ALL
- 4 RECOMMEND P.W.B THICKNESS; 1.6mm



LEAD FREE

GOLD PLATING	0.00076								0.0003							
	39	49	33	24	17	12	9	6	39	49	33	24	17	12	9	6
N	61.90	74.60	54.20	42.80	33.90	27.60	23.80	19.90	61.55	74.25	53.93	42.50	33.61	27.26	23.45	19.64
F	71.45	84.15	63.83	52.40	43.51	37.16	31.26	27.45	71.45	84.15	63.83	52.40	43.51	37.16	31.26	27.45
E	65.55	78.25	57.93	46.50	37.61	26.59	21.59	16.43	65.55	78.25	57.93	46.50	37.61	26.59	21.59	16.43
D	54.53	67.23	46.91	35.48	26.59	20.24	15.24	11.43	54.53	67.23	46.91	35.48	26.59	20.24	15.24	11.43
C	49.53	62.23	41.91	30.48	21.59	15.24	11.43	7.62	49.53	62.23	41.91	30.48	21.59	15.24	11.43	7.62
B	80	100	68	50	36	26	20	14	80	100	68	50	36	26	20	14
A	3-5917334-0	2-5917334-9	2-5917334-8	2-5917334-7	2-5917334-5	2-5917334-4	2-5917334-2	2-5917334-1	1-5917334-0	5917334-9	5917334-8	5917334-7	5917334-5	5917334-4	5917334-2	5917334-1
POSN																
PART NO.																

THIS DRAWING IS A CONTROLLED DOCUMENT.

DIMENSIONS: mm

TOLERANCES UNLESS OTHERWISE SPECIFIED:

0 PLC	± 0.2
1 PLC	± 0.2
2 PLC	± 0.2
3 PLC	± 0.2
4 PLC	± 0.2
ANGLES	± 3'

MATERIAL: SEE NOTE 3

FINISH: SEE NOTE 3

STE CONNECTIVITY

REC HEADER ASSY, VERTICAL
W/RETENTION LEG
CHAMP .050 SERIES (II) STD-TYPE (M2.6)

108-5288

APVD: I.ENOMOTO

SIZE: A3

CAGE CODE: 00779

DRAWING NO: C-5917334

SCALE: 2:1

SHEET: 1 OF 1

REV: P