



Chipsmall Limited consists of a professional team with an average of over 10 year of expertise in the distribution of electronic components. Based in Hongkong, we have already established firm and mutual-benefit business relationships with customers from,Europe,America and south Asia,supplying obsolete and hard-to-find components to meet their specific needs.

With the principle of “Quality Parts,Customers Priority,Honest Operation,and Considerate Service”,our business mainly focus on the distribution of electronic components. Line cards we deal with include Microchip,ALPS,ROHM,Xilinx,Pulse,ON,Everlight and Freescale. Main products comprise IC,Modules,Potentiometer,IC Socket,Relay,Connector.Our parts cover such applications as commercial,industrial, and automotives areas.

We are looking forward to setting up business relationship with you and hope to provide you with the best service and solution. Let us make a better world for our industry!



Contact us

Tel: +86-755-8981 8866 Fax: +86-755-8427 6832

Email & Skype: info@chipsmall.com Web: www.chipsmall.com

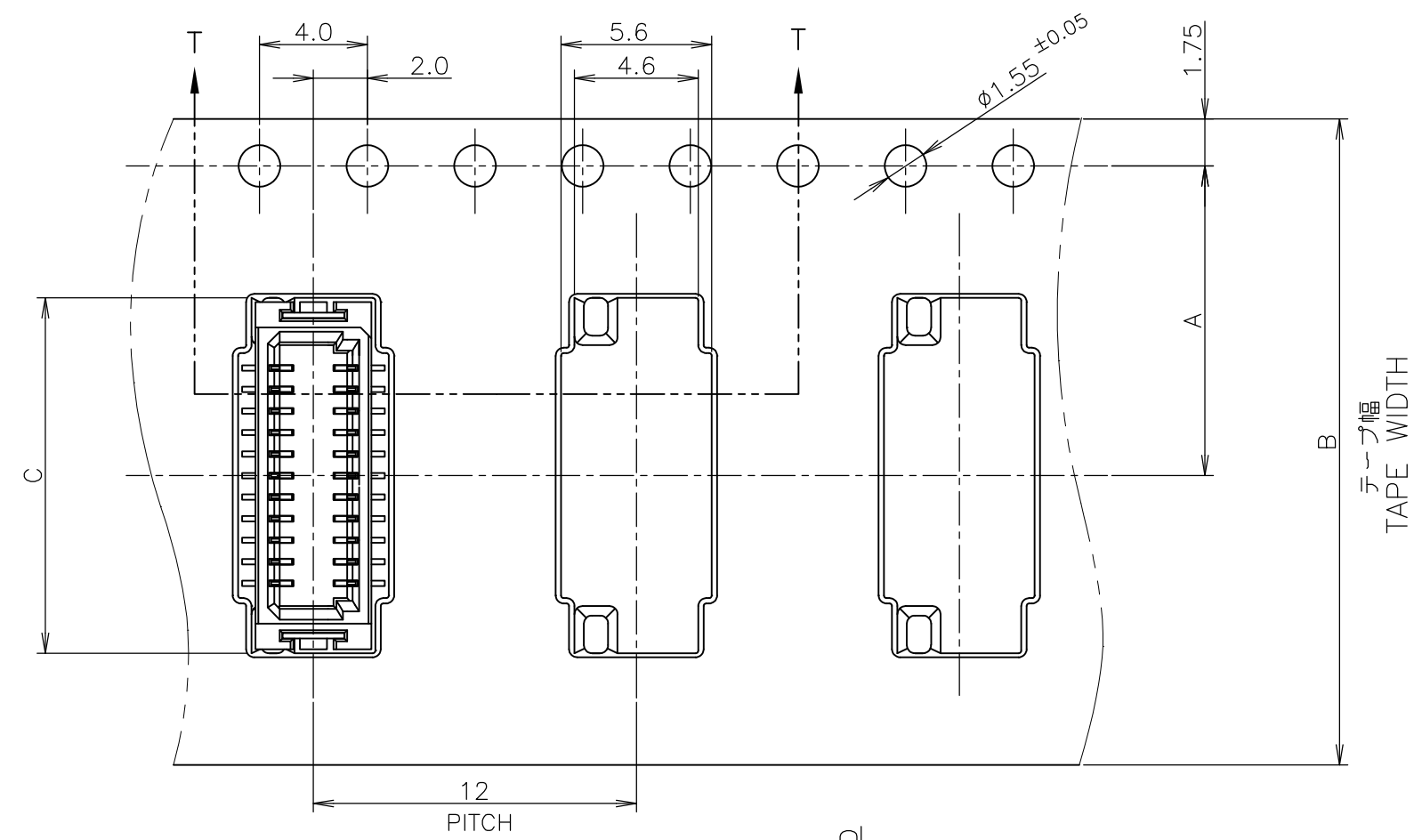
Address: A1208, Overseas Decoration Building, #122 Zhenhua RD., Futian, Shenzhen, China



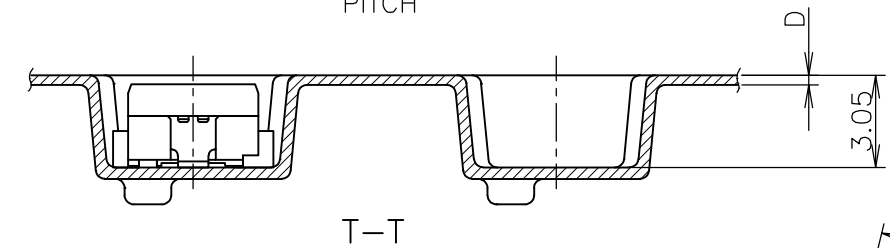
THIS DRAWING IS UNPUBLISHED. RELEASED FOR PUBLICATION DEC. 2004.
 © COPYRIGHT 2004 By - ALL RIGHTS RESERVED.

LOC	DIST	REVISIONS					
J		P	LTR	DESCRIPTION	DATE	DWN	APVD
		A		RELEASED ECR-13-007731	20MAY2013	I.T	S.Y

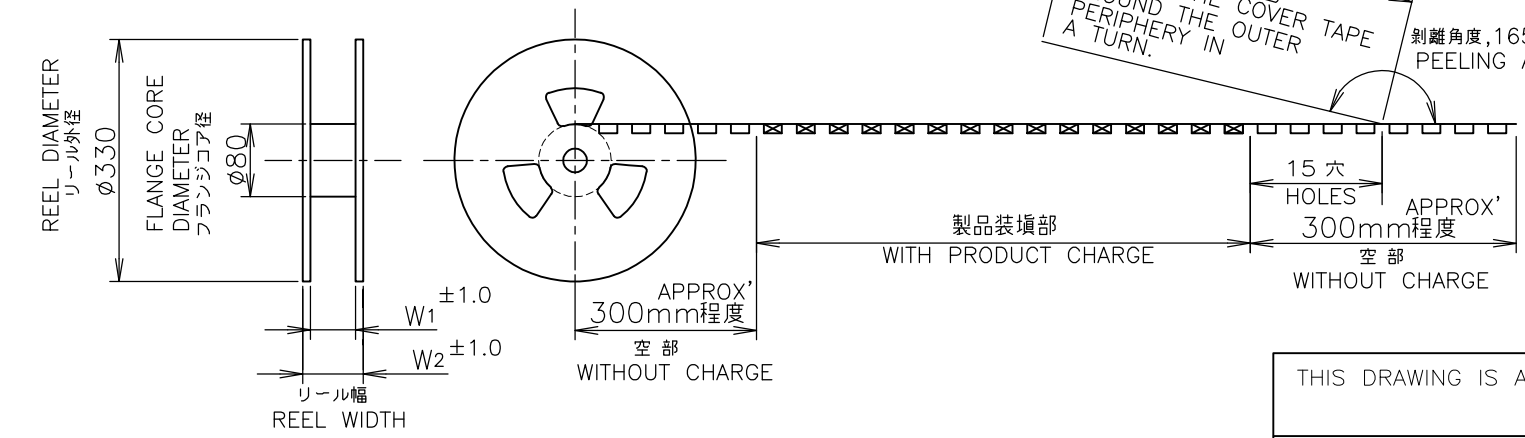
1- -0: 本図
 1- -0: AS SHOWN



引出し方向
 TOP OF REEL →



カバーテープ
 リーダー部
 外周一巻
 WEEDING AROUND THE COVER TAPE PERIPHERY IN A TURN.
 剥離角度, 165°~180°
 PEELING ANGLE.



OBSOLETE	22.0	18.0	0.5	8.4	16	7.5	100	10	1-5917407-0
	W ₂	W ₁	D	C	B	A	数量 (ヶ) QTY/REEL	極数 POS	リール巻 コネクタ型番 TAPING P/N

THIS DRAWING IS A CONTROLLED DOCUMENT.

DWN	M.IWASAKI	27DEC04
CHK	Y.NAKAZAWA	27DEC04
APVD	T.KUSUHARA	27DEC04

STE TE Connectivity

ON TAPING EMBOSS
 0.8mm PITCH FINE MATE CONN
 TAB ASSEMBLY WITH BOSS V-TYPE

SIZE	CAGE CODE	DRAWING NO	RESTRICTED TO
A3	00779	C-5917407	

CUSTOMER DRAWING

SCALE 4:1 SHEET 1 OF 4 REV A

GENERAL TOLERANCE
 一般公差

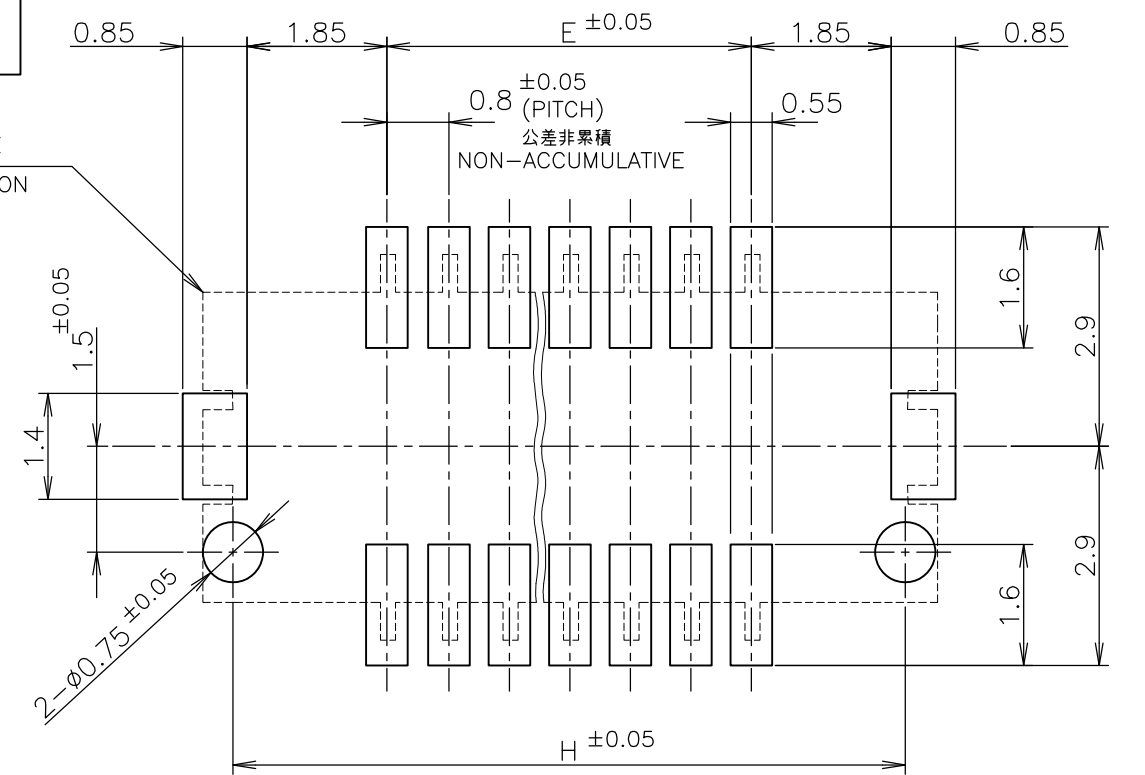
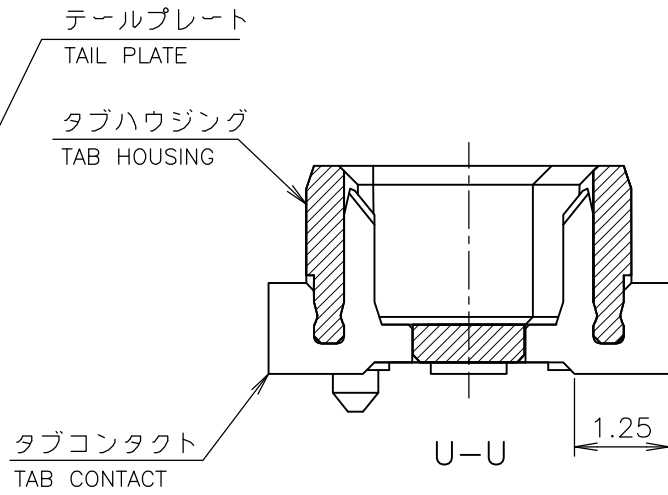
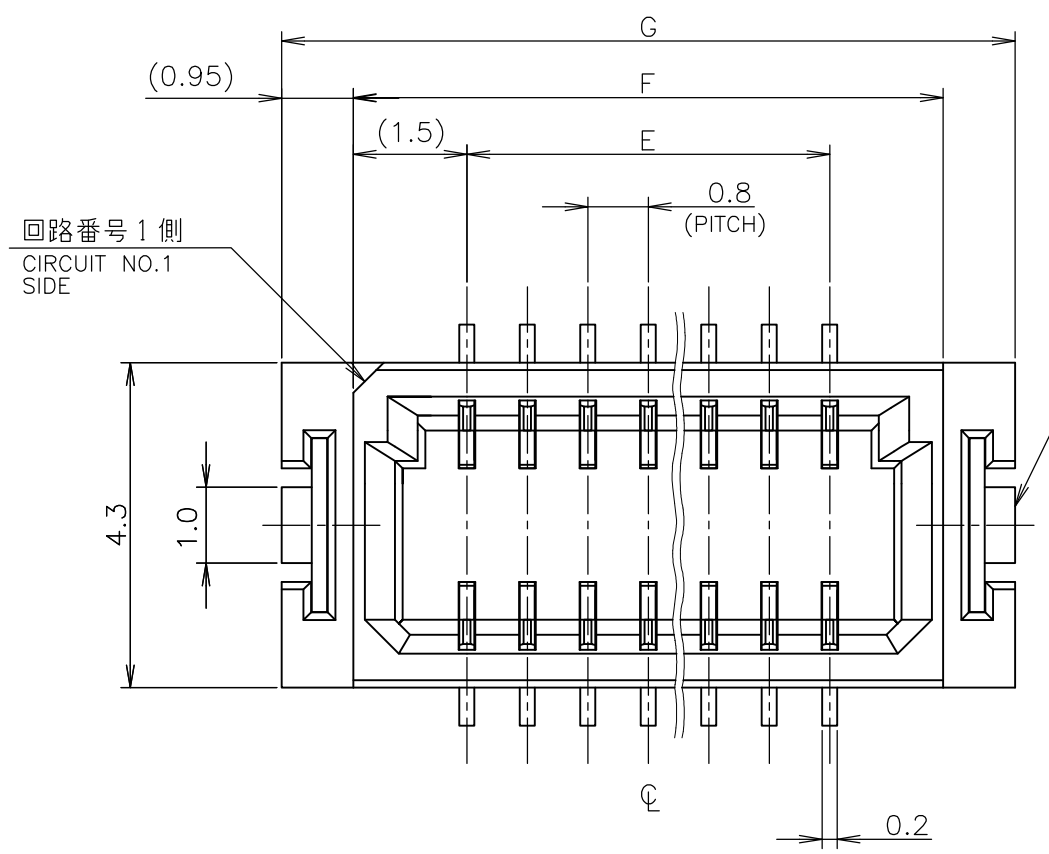
10 ≥ : ±0.2
 30 ≥ > 10: ±0.25
 100 ≥ > 30: ±0.3
 ANGLES: ±3°

DIMENSIONS: 単位: 耗 mm	TOLERANCES UNLESS OTHERWISE SPECIFIED: 一般公差
0 PLC	±
1 PLC	±
2 PLC	±
3 PLC	±
4 PLC	±
ANGLES	±
MATERIAL 材料	FINISH 仕上

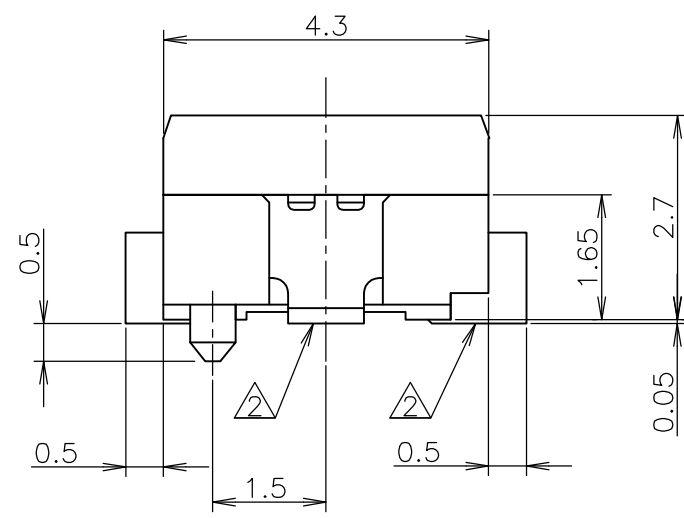
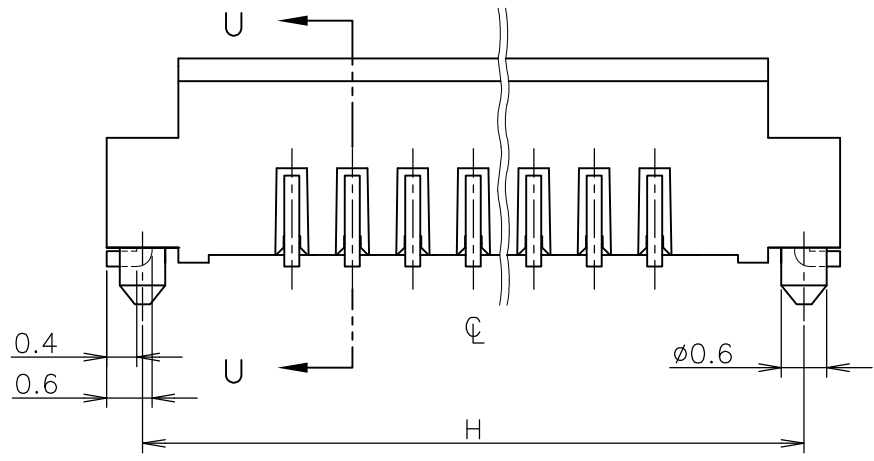
THIS DRAWING IS UNPUBLISHED. RELEASED FOR PUBLICATION DEC. 2004.
 © COPYRIGHT 2004 By - ALL RIGHTS RESERVED.

LOC		DIST		REVISIONS		
J				変更	DATE	APVD
P	LTR	DESCRIPTION			DWN	APVD
-	-	SEE SHEET 1			-	-

本図: 1- -0 コネクタ図
 AS SHOWN: 1- -0
 CONNECTOR DWG



参考基板加工寸法
 REFERENCE P.C BOARD LAYOUT



- 1 材料: タブハウジング: 46ナイロン (耐熱性樹脂)
- タブコンタクト: 銅合金 (t=0.2mm) 金めっき
- テールプレート: 銅合金 (t=0.2mm) 錫めっき

△ 全てのタイン部及びテールプレートのバラツキは 0.1mm MAX.

- 1 MATERIAL
- TAB HOUSING: 46 NYLON (HIGH HEAT-RESISTED RESIN)
- TAB CONTACT: COPPER-ALLOY (t=0.2mm) Au PLATING
- TAIL PLATE: COPPER-ALLOY (t=0.2mm) TIN PLATING

△ MISALIGNMENT BETWEEN TAINS AND TAIL PLATE: 0.1mm MAX.

GENERAL TOLERANCE 一般公差

10 ≥	±0.2
30 ≥ > 10	±0.25
100 ≥ > 30	±0.3
ANGLES: ±3°	

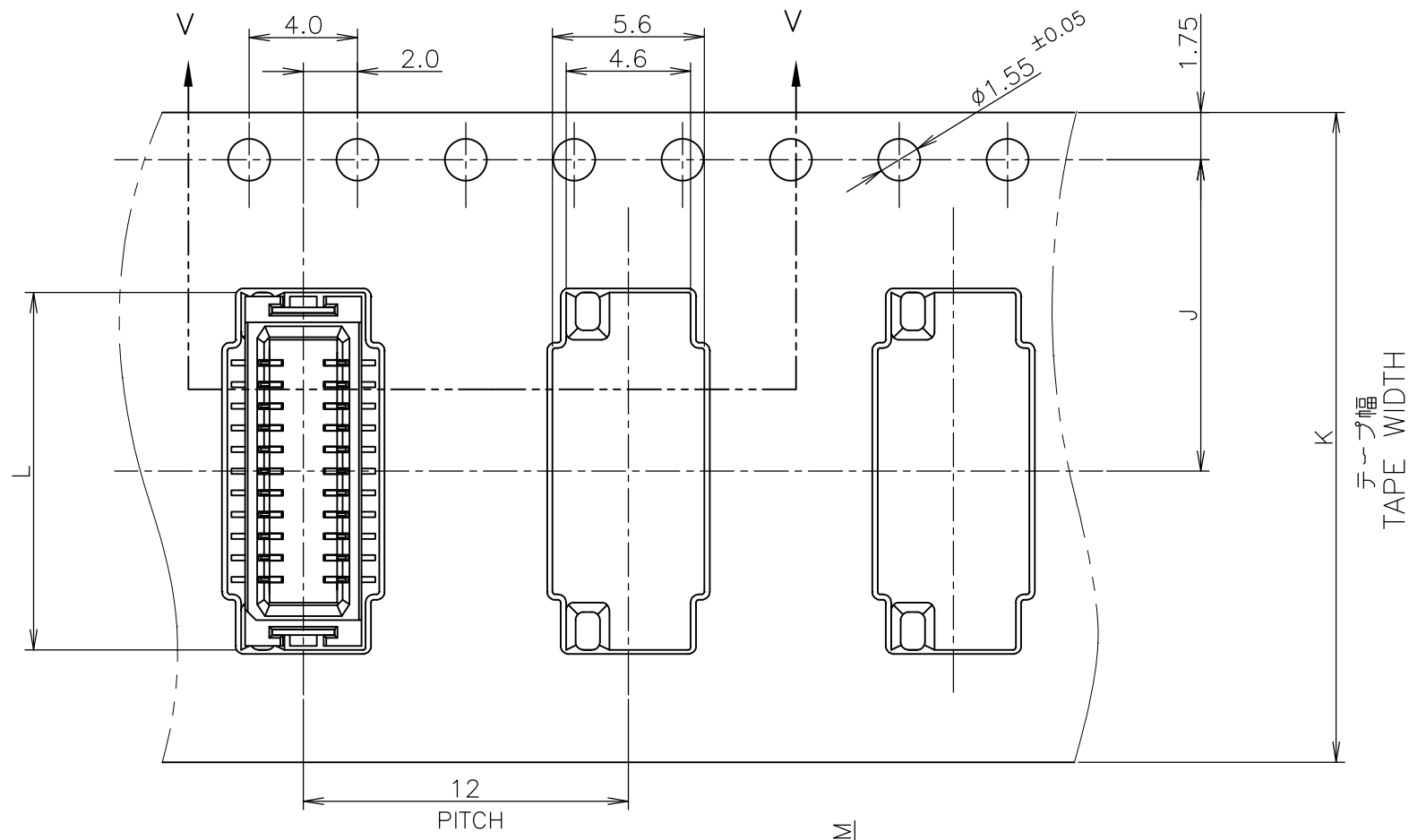
THIS DRAWING IS A CONTROLLED DOCUMENT.

DIMENSIONS: 単位: 耗 mm	TOLERANCES UNLESS OTHERWISE SPECIFIED: 一般公差
	0 PLC ±
	1 PLC ±
	2 PLC ±
	3 PLC ±
	4 PLC ±
MATERIAL 材料	ANGLES ±
	FINISH 仕上

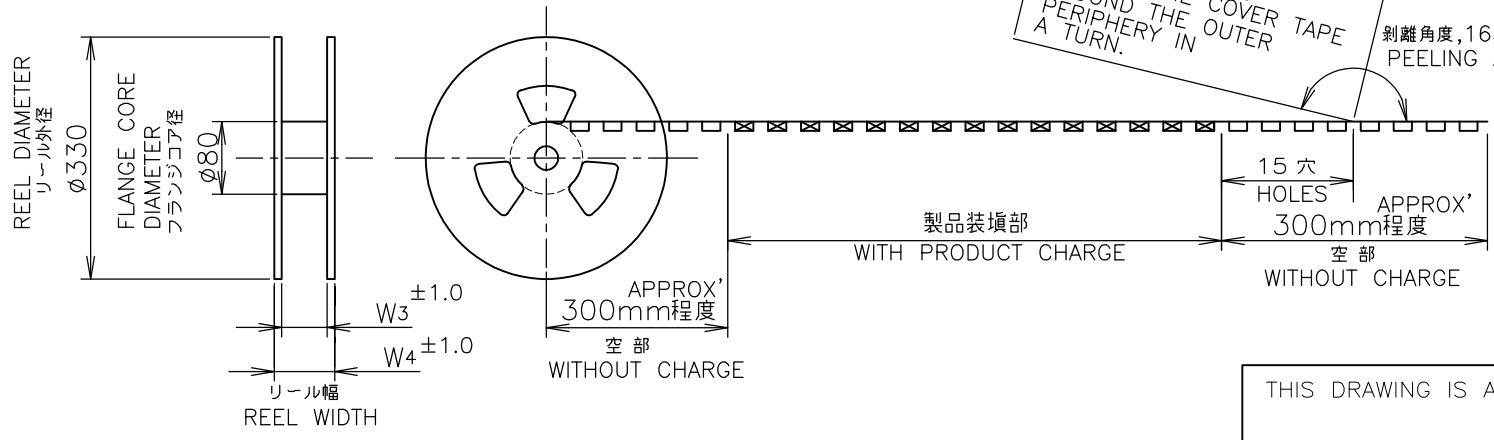
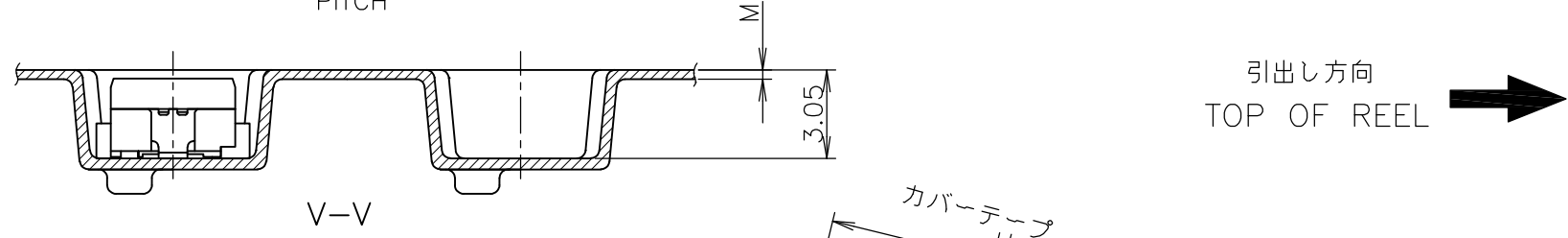
INSTRUCTION SHEET 取扱説明書	7.15	8.1	6.2	3.2	10	1-5917407-0
411-5808	H	G	F	E	極数 POS	型番 PART NO
DWN	TE Connectivity ON TAPING EMBOSS 0.8mm PITCH FINE MATE CONN TAB ASSEMBLY WITH BOSS V-TYPE					
CHK						
APVD						
PRODUCT SPEC 製品規格						
APPLICATION SPEC 取付適用規格	SIZE	CAGE CODE	DRAWING NO 番号	RESTRICTED TO		
WEIGHT	A3	00779	C-5917407	-		
CUSTOMER DRAWING	SCALE 尺度	10:1	SHEET	2 OF 4	REV	A

THIS DRAWING IS UNPUBLISHED. RELEASED FOR PUBLICATION DEC. 2004. ALL RIGHTS RESERVED.

LOC	DIST	REVISIONS					
J		P	LTR	DESCRIPTION	DATE	DWN	APVD
		-		SEE SHEET 1	-	-	-



2- -2: 本図
2- -2: AS SHOWN



カバーテープ
リーダー部
外周一巻
AROUND THE COVER TAPE
PERIPHERY IN
A TURN.
剝離角度, 165°~180°
PEELING ANGLE.

29.5	25.5	0.38	13.2	24	11.5	1000	22	2-5917407-2
W4	W3	M	L	K	J	数量 (ヶ) QTY/REEL	極数 POS	リール巻 コネクタ型番 TAPING P/N

THIS DRAWING IS A CONTROLLED DOCUMENT.

DIMENSIONS: 単位: 耗 mm	TOLERANCES UNLESS OTHERWISE SPECIFIED: 一般公差	DWN	TE Connectivity
	0 PLC ±	CHK	
	1 PLC ±	APVD	
	2 PLC ±	PRODUCT SPEC 製品規格	
	3 PLC ±	APPLICATION SPEC 取付適用規格	
4 PLC ±	ANGLES ±	WEIGHT	NAME 名称 ON TAPING EMBOSS 0.8mm PITCH FINE MATE CONN TAB ASSEMBLY WITH BOSS V-TYPE SIZE CAGE CODE DRAWING NO 番号 A3 00779 C-5917407 RESTRICTED TO SCALE 尺度 4:1 SHEET 3 OF 4 REV A

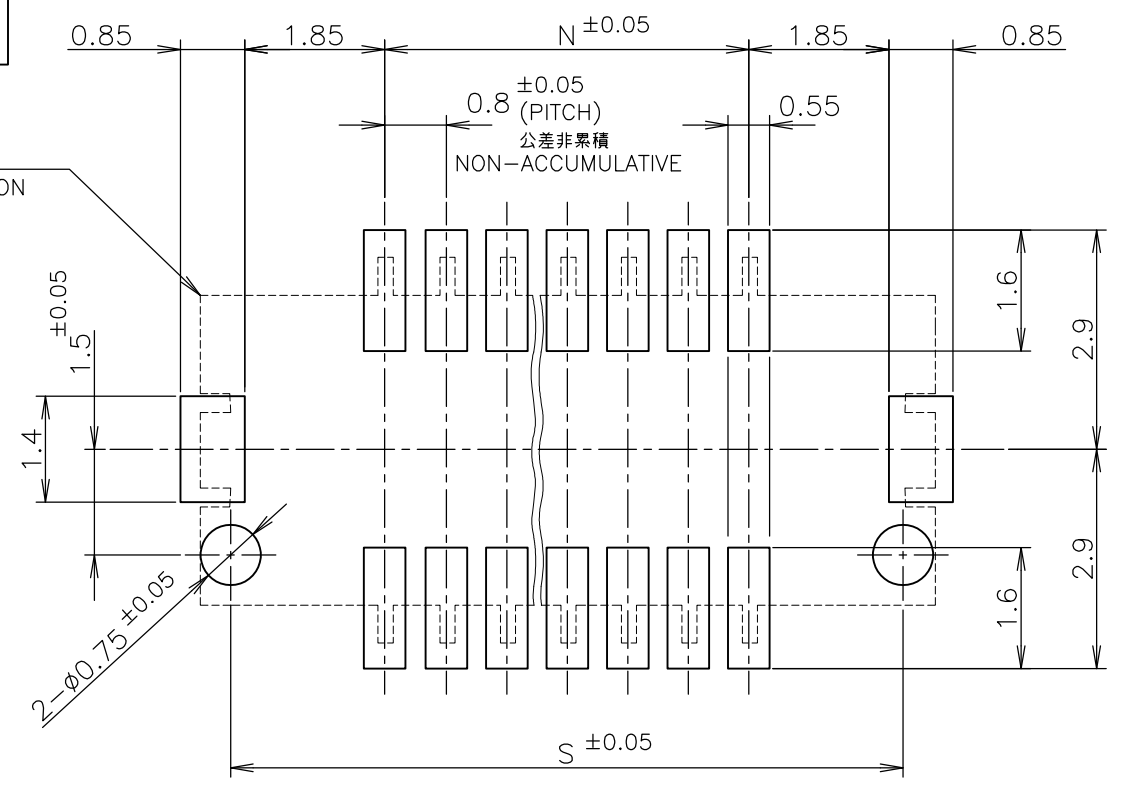
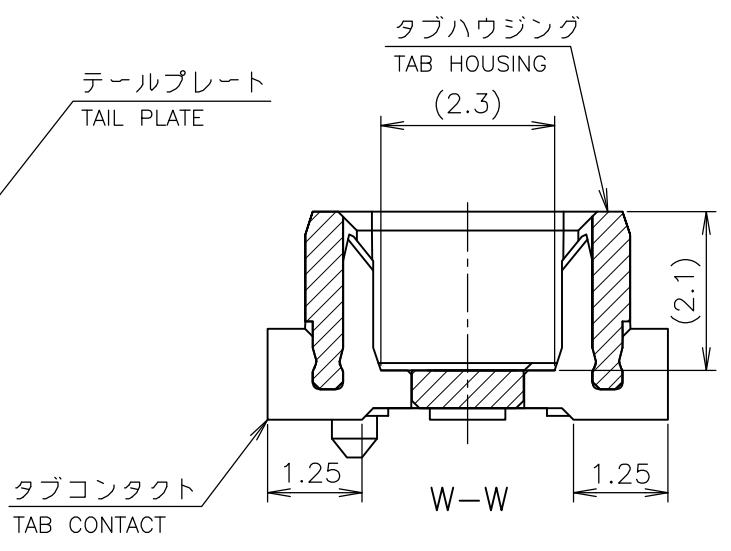
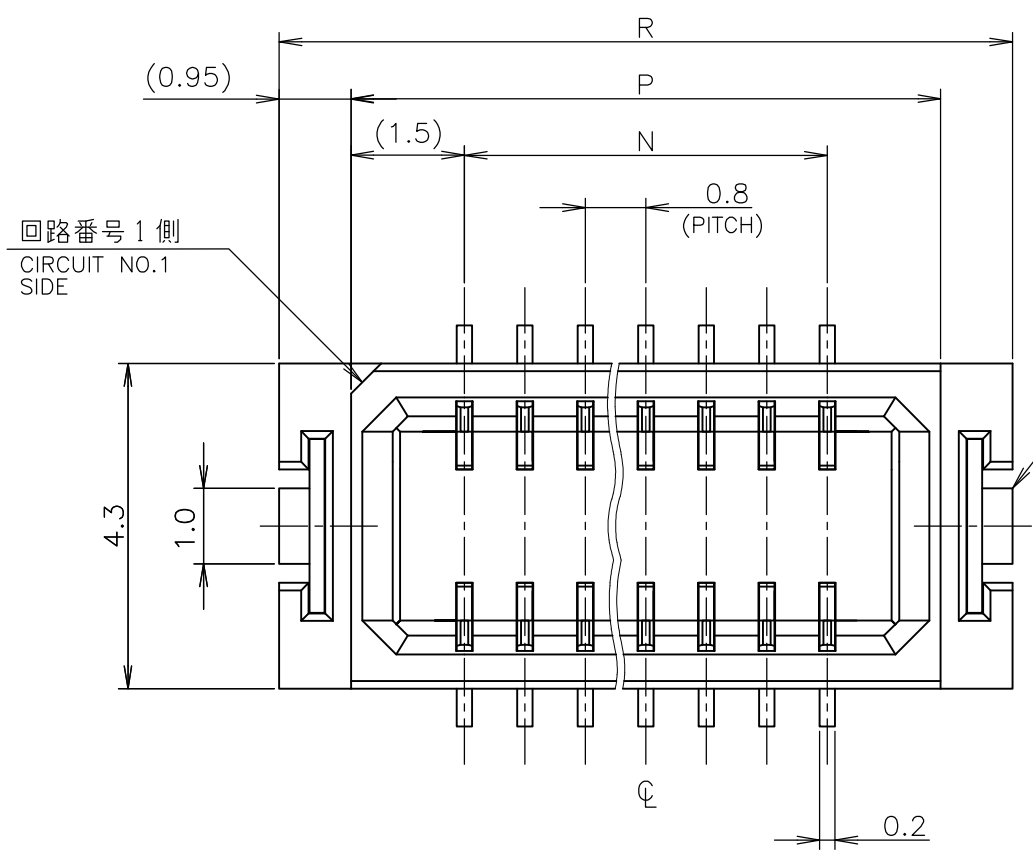
CUSTOMER DRAWING

GENERAL TOLERANCE
一般公差
10 ≥ : ±0.2
30 ≥ > 10: ±0.25
100 ≥ > 30: ±0.3
ANGLES: ±3°

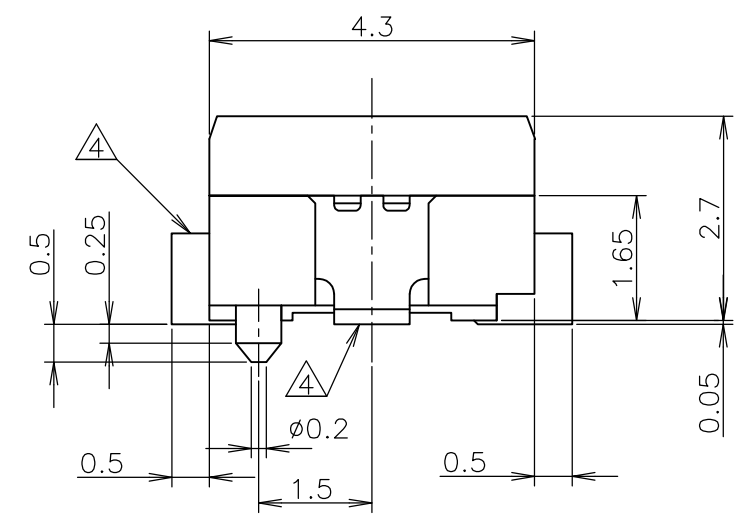
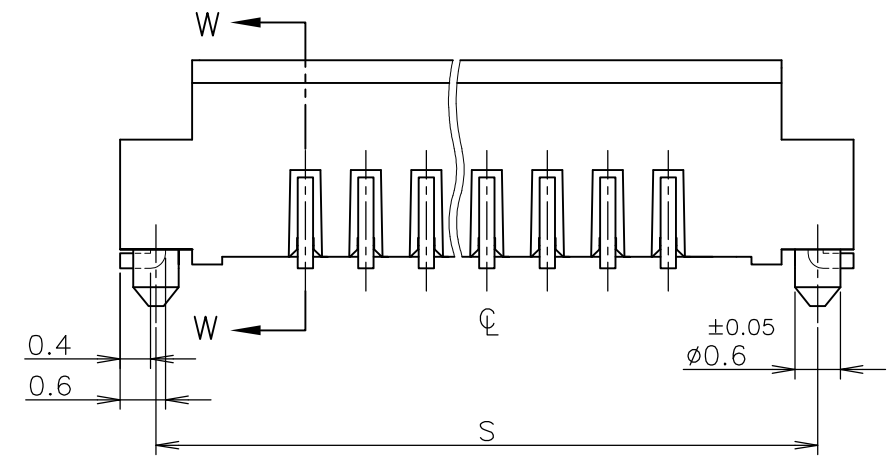
THIS DRAWING IS UNPUBLISHED. RELEASED FOR PUBLICATION DEC. 2004.
 © COPYRIGHT 2004 By - ALL RIGHTS RESERVED.

LOC	DIST	REVISIONS					
J		P	LTR	DESCRIPTION	DATE	DWN	APVD
		-		SEE SHEET 1	-	-	-

本図: 2- -2 コネクタ図
 AS SHOWN: 2- -2
 CONNECTOR DWG



参考基板加工寸法
 REFERENCE P.C BOARD LAYOUT



3 材料: タブハウジング: 46ナイロン (耐熱性樹脂)
 タブコンタクト: 銅合金 (t=0.2mm) 金めっき
 テールプレート: 銅合金 (t=0.2mm) 錫めっき

△ 全てのタイン部及びテールプレートのバラツキは 0.1mm MAX.

3 MATERIAL
 TAB HOUSING: 46 NYLON (HIGH HEAT-RESISTED RESIN)
 TAB CONTACT: COPPER-ALLOY (t=0.2mm) Au PLATING
 TAIL PLATE: COPPER-ALLOY (t=0.2mm) POST TIN PLATING

△ MISALIGNMENT BETWEEN TAINS AND TAIL PLATE: 0.1mm MAX.

GENERAL TOLERANCE 一般公差	
10 ≥ :	±0.2
30 ≥ > 10:	±0.25
100 ≥ > 30:	±0.3
ANGLES: ±3°	

THIS DRAWING IS A CONTROLLED DOCUMENT.

DIMENSIONS: 単位: 耗 mm	TOLERANCES UNLESS OTHERWISE SPECIFIED: 一般公差
0 PLC ±	1 PLC ±
2 PLC ±	3 PLC ±
4 PLC ±	ANGLES ±
MATERIAL 材料	FINISH 仕上

INSTRUCTION SHEET 取扱説明書	11.95	12.9	11.0	8.0	22	2-5917407-2
411-5808	S	R	P	N	極数 POS	型番 PART NO
DWN	TE Connectivity					
CHK						
APVD	NAME 名称					
PRODUCT SPEC 製品規格	ON TAPING EMBOSS					
APPLICATION SPEC 取付適用規格	0.8mm PITCH FINE MATE CONN					
WEIGHT	TAB ASSEMBLY WITH BOSS V-TYPE					
CUSTOMER DRAWING	SIZE	CAGE CODE	DRAWING NO 番号	RESTRICTED TO		
	A3	00779	C-5917407	-		
	SCALE 尺度	SHEET	REV			
	10:1	4 OF 4	A			