



Chipsmall Limited consists of a professional team with an average of over 10 year of expertise in the distribution of electronic components. Based in Hongkong, we have already established firm and mutual-benefit business relationships with customers from,Europe,America and south Asia,supplying obsolete and hard-to-find components to meet their specific needs.

With the principle of "Quality Parts,Customers Priority,Honest Operation,and Considerate Service",our business mainly focus on the distribution of electronic components. Line cards we deal with include Microchip,ALPS,ROHM,Xilinx,Pulse,ON,Everlight and Freescale. Main products comprise IC,Modules,Potentiometer,IC Socket,Relay,Connector.Our parts cover such applications as commercial,industrial, and automotives areas.

We are looking forward to setting up business relationship with you and hope to provide you with the best service and solution. Let us make a better world for our industry!



## Contact us

Tel: +86-755-8981 8866 Fax: +86-755-8427 6832

Email & Skype: info@chipsmall.com Web: www.chipsmall.com

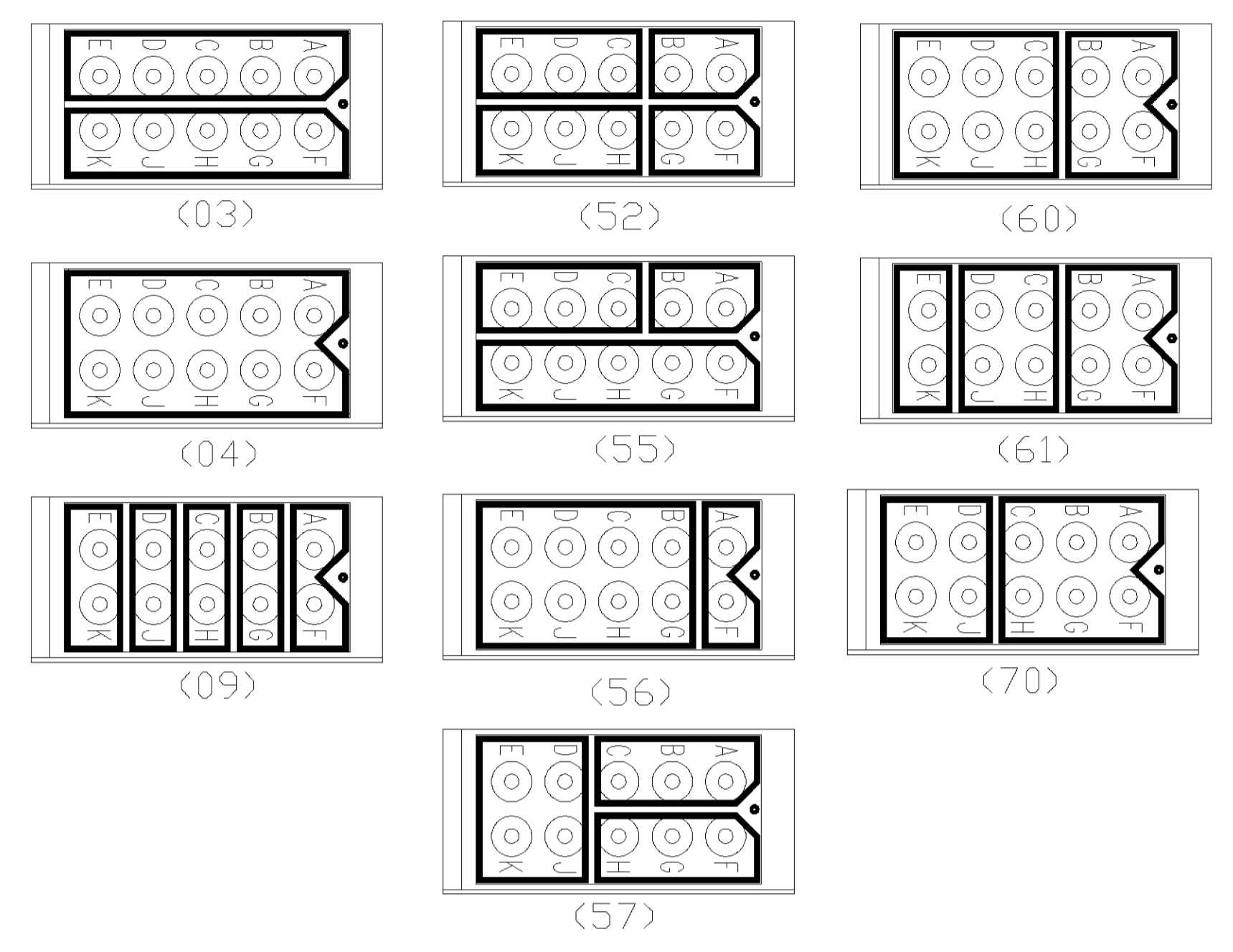
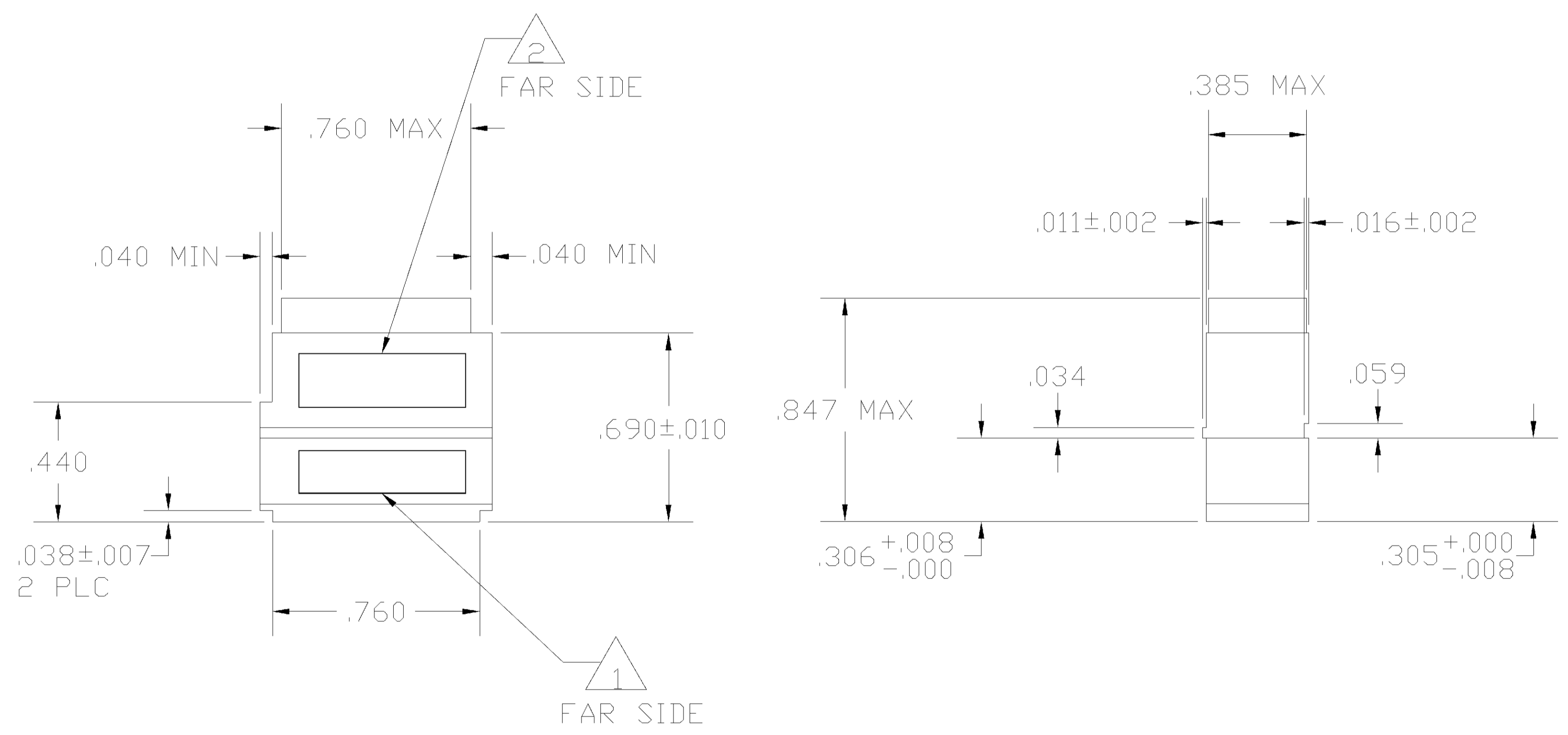
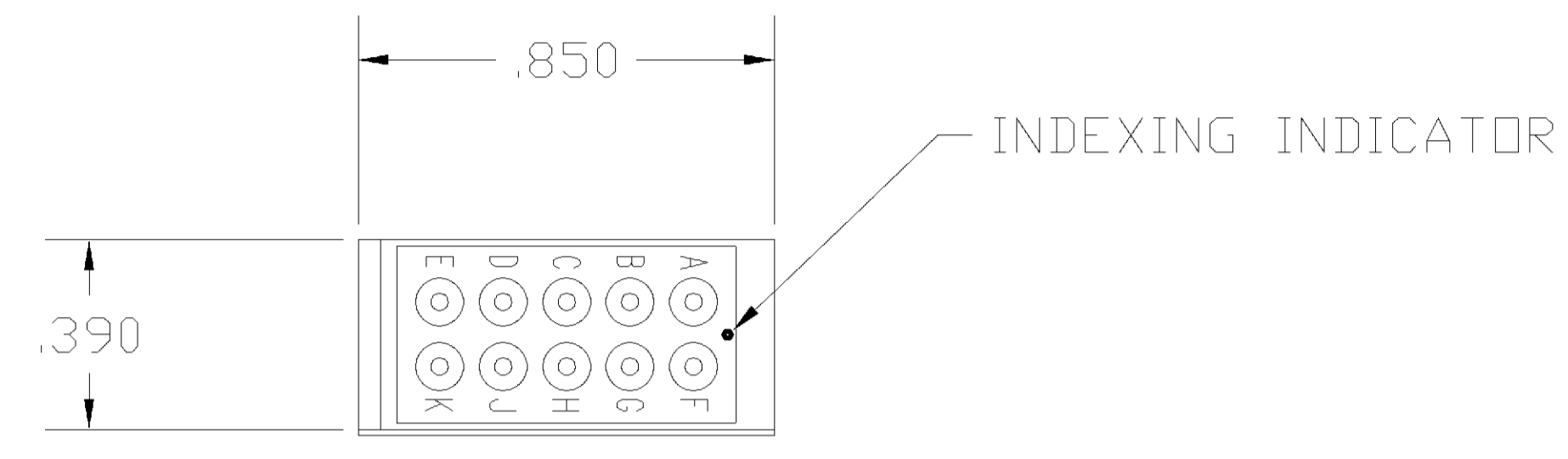
Address: A1208, Overseas Decoration Building, #122 Zhenhua RD., Futian, Shenzhen, China



THIS DRAWING IS UNPUBLISHED. RELEASED FOR PUBLICATION		
© COPYRIGHT - BY TYCO ELECTRONICS CORPORATION. ALL RIGHTS RESERVED.		
DESCRIPTION	MATERIAL	FINISH
MODULE ASSEMBLY	D.A.P. PER MIL-M14 TYPE SDG-F	COLOR: RED
GROMMET	FLUORSILICONE RUBBER MIL-R-25988 40/50	COLOR: NATURAL
CONTACT SOCKET	BERYLLIUM COPPER ASTM-B194	GOLD PLATE PER MIL-G-45204
RETAINING CLIP	BERYLLIUM COPPER ASTM-B194 OR STAINLESS STEEL PER QQ-S-766	NONE
CONTACTS	COPPER ALLOY PER MIL-C-39029/1	GOLD PLATE PER MIL-G-45204
SEALING PLUGS	F.E.P. PER MIL-P-19468	COLOR: RED

- 1 MARK MODULE ASSEMBLY WITH "AMP", AMP PART NO. AND DATE CODE .060 MINIMUM HIGH CHARACTERS AT APPROXIMATE AREA SHOWN.
- 2 MARK MODULE ASSEMBLY WITH CUSTOMER PART NO., MILITARY PART NO. IF REQUIRED .060 MINIMUM HIGH CHARACTERS AT APPROXIMATE AREA SHOWN.
- 3 BUSSING ARRANGEMENT OUTLINE DENOTES INTERNAL ARRANGEMENT OF SOCKET CONTACTS.
- 4 CONTACTS AND SEALING PLUGS ARE PACKAGED SEPARATELY WHEN REQUIRED.

LOC	REV	DATE	BY	APP'D	
DF	A0				
REVISIONS		DESCRIPTION	DATE	DWN	APP'D
A	REV PER	OG3D-0159-01	1-02	CT	DM



BUSSING ARRANGEMENTS 3

MRTB20E60-111		X									2-592627-6
MRTB20E57-111		X									2-592627-5
MRTB20E56-111			X								2-592627-4
MRTB20E55-111			X								2-592627-3
MRTB20E52-111				X							2-592627-2
MRTB20E09-111					X						2-592627-1
MRTB20E04-111						X					2-592627-0
MRTB20E03-111							X				1-592627-9
		X									1-592627-8
		X						X	X		1-592627-7
		X									1-592627-6
SUPERSEDED BY 1-592624-8	M81714/2-BB3	X						X	X		1-592627-5
			X								1-592627-4
SUPERSEDED BY 1-592624-2	M81714/2-BC1		X					X	X		1-592627-3
			X								1-592627-2
SUPERSEDED BY 1-592624-0	M81714/2-BB2		X					X	X		1-592627-1
				X							1-592627-0
SUPERSEDED BY 2-592624-2	M81714/2-BC2			X				X	X		592627-9
				X							592627-8
SUPERSEDED BY 592624-7	M81714/2-BD1			X				X	X		592627-7
				X							592627-6
SUPERSEDED BY 592624-5	M81714/2-BE1				X			X	X		592627-5
					X						592627-4
SUPERSEDED BY 592624-3	M81714/2-BA1					X		X	X		592627-3
						X					592627-2
SUPERSEDED BY 592624-1	M81714/2-BB1						X	X	X		592627-1

MARKING 2	7061605756552090403	SEALING PLUG QTY 2 4	CONTACTS QTY 11 4	PART NO.
THIS DRAWING IS A CONTROLLED DOCUMENT.		SWN C. C. THOMAS 31JAN002	Tyco Electronics Corporation Harrisburg, Pa 17105-3608	
DIMENSIONS INCHES	TOLERANCES UNLESS OTHERWISE SPECIFIED	CHK D. MILLER 1-31-02	NAME	
0 PLC ± .01	1 PLC ± .005	APRG D. MILLER 1-31-02	PRODUCT SPEC	
2 PLC ± .005	3 PLC ± .005	APPLICATION SPEC		
4 PLC ± .005	ANGLES ± .01	WEIGHT		
MATERIAL	FINISH	CUSTOMER DRAWING		
		SIZE	CAGE CODE	DRAWING NO
		A1	00779	C-592627
		SCALE	SHEET	REV
		NTS	1	A