



Chipsmall Limited consists of a professional team with an average of over 10 year of expertise in the distribution of electronic components. Based in Hongkong, we have already established firm and mutual-benefit business relationships with customers from,Europe,America and south Asia,supplying obsolete and hard-to-find components to meet their specific needs.

With the principle of "Quality Parts,Customers Priority,Honest Operation,and Considerate Service",our business mainly focus on the distribution of electronic components. Line cards we deal with include Microchip,ALPS,ROHM,Xilinx,Pulse,ON,Everlight and Freescale. Main products comprise IC,Modules,Potentiometer,IC Socket,Relay,Connector.Our parts cover such applications as commercial,industrial, and automotives areas.

We are looking forward to setting up business relationship with you and hope to provide you with the best service and solution. Let us make a better world for our industry!



Contact us

Tel: +86-755-8981 8866 Fax: +86-755-8427 6832

Email & Skype: info@chipsmall.com Web: www.chipsmall.com

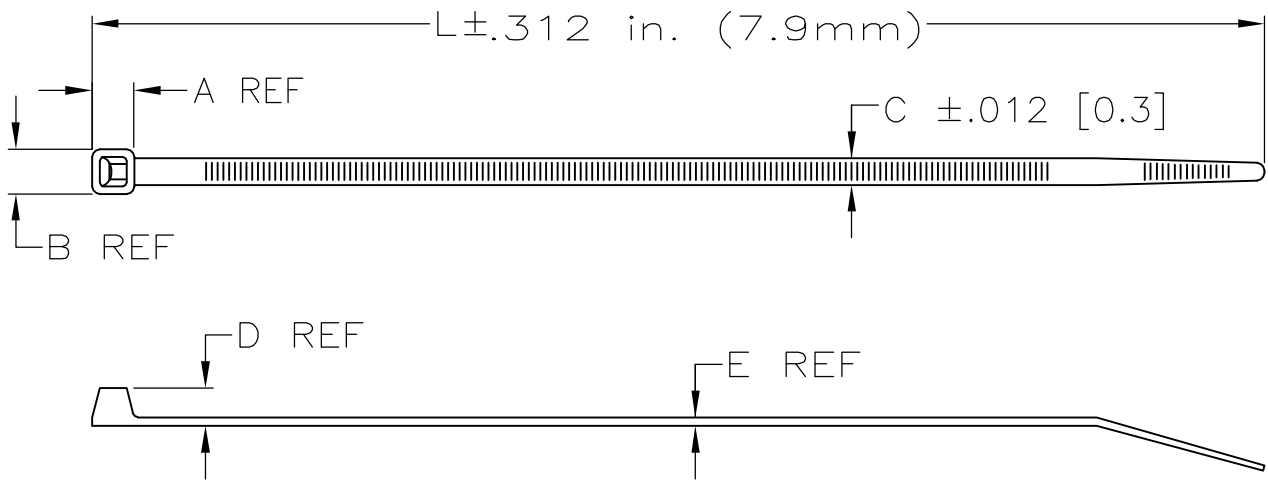
Address: A1208, Overseas Decoration Building, #122 Zhenhua RD., Futian, Shenzhen, China



LOC	DIST	REVISIONS					
CM	0	P	LTR	DESCRIPTION	DATE	DWN	APVD
		H3		ECO-05-012698	31OCT05	KW	DC

1. PACKAGED IN HEAT SEALED 3 MIL POLYBAG.
2. MIL NO. MS3367-2.

UNIT OF MEASURE	A	B	C	D	E	L		MAX BUNDLE DIAMETER	MIN TENSILE STRENGTH
INCHES	.290	.298	.184	.240	.055	15.43		4.0	50 LBS
MM	7.37	7.57	4.67	6.10	1.40	392.		101.6	22.68 KG



METRIC

-	2-604774-0	BLACK 1000	
-	1-604774-0	BLACK 100	
-	2-604774-9	NATURAL 1000	
-	1-604774-9	NATURAL 100	
DWG SIZE	PART NO.	DESCRIPTION	ITEM NO.

THIS DRAWING IS UNPUBLISHED.

RELEASED FOR PUBLICATION. ALL RIGHTS RESERVED. BY TYCO ELECTRONICS CORPORATION. © COPYRIGHT

DIMENSIONS: INCHES	DWN	28OCT2005	MATERIAL	NYLON 6/6	FINISH	-
	CHK	K.- WHITAKER				
TOLERANCES UNLESS OTHERWISE SPECIFIED:	0 PLC	± -	PRODUCT SPEC	-	NAME	CABLE TIE 15 1/2 INCH
	1 PLC	± -				
2 PLC	± -	APPLICATION SPEC	-	SIZE	CAGE CODE	DRAWING NO
	3 PLC					
4 PLC	± -	WEIGHT	-	A4	00779	C-604774
ANGLES	± -					
CUSTOMER DRAWING			SCALE	1:1	SHEET	1 OF 1
			RESTRICTED TO	REV H3		