



Chipsmall Limited consists of a professional team with an average of over 10 year of expertise in the distribution of electronic components. Based in Hongkong, we have already established firm and mutual-benefit business relationships with customers from,Europe,America and south Asia,supplying obsolete and hard-to-find components to meet their specific needs.

With the principle of "Quality Parts,Customers Priority,Honest Operation,and Considerate Service",our business mainly focus on the distribution of electronic components. Line cards we deal with include Microchip,ALPS,ROHM,Xilinx,Pulse,ON,Everlight and Freescale. Main products comprise IC,Modules,Potentiometer,IC Socket,Relay,Connector.Our parts cover such applications as commercial,industrial, and automotives areas.

We are looking forward to setting up business relationship with you and hope to provide you with the best service and solution. Let us make a better world for our industry!



Contact us

Tel: +86-755-8981 8866 Fax: +86-755-8427 6832

Email & Skype: info@chipsmall.com Web: www.chipsmall.com

Address: A1208, Overseas Decoration Building, #122 Zhenhua RD., Futian, Shenzhen, China

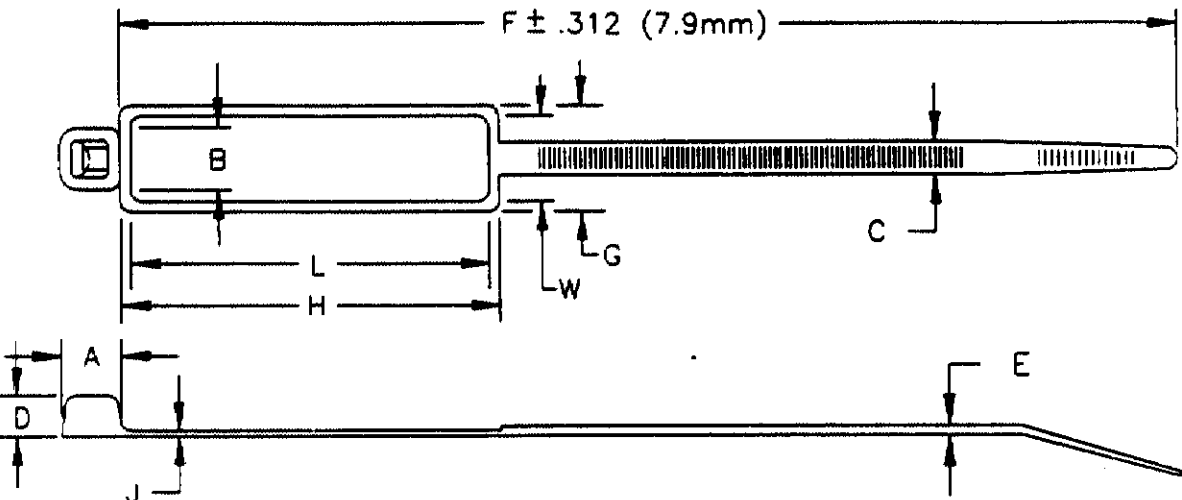


DWG NO. 608703

UNIT OF MEASURE	A	B	C	D	E	LENGTH OVERALL	MAX. BUNDLE DIA.	MIN TENSILE STRENGTH
INCHES	.274	.293	.185	.238	.055	14.99	4.0	50 lbs.
MM	6.96	7.44	4.70	6.05	1.40	381.	101.6	22.68 kg.

UNIT OF MEASURE	F	G	H	J	L	W	APC ENGINEERING		
INCHES	14.700	.500	2.15	.048	2.075	.429	JUL 13 1990 ISSUED BY <i>Allen</i>		
MM	373.38	12.70	54.64	1.22	52.71	10.90			

THIS INFORMATION IS CONFIDENTIAL AND IS DISCLOSED TO YOU ON CONDITION THAT NO FURTHER DISCLOSURE IS MADE BY YOU TO OTHER THAN AMP PERSONNEL WITHOUT WRITTEN AUTHORIZATION FROM AMP INCORPORATED, HARRISBURG, PA.



NOTES:

1. MOISTURIZED 1 TO 2.5% WATER.
2. PACKAGED IN HEAT SEALED 3 MIL POLYBAG WITH LABEL PER DWG 404707.
3. MILITARY NO. MS3368-2-A

CUSTOMER DRAWING UNPUBLISHED

LOC	D	2-608703-9	NATURAL 1000 ITY4M	
DIST	1	1-608703-9	NATUARL 100 ITY4C	
		DWG SIZE	PART No.	DESCRIPTION
			← REVISION OF EACH ASSY NO. (WHEN BLANK, USE DWG REVISION)	
		QTY REQ'D. PER ASSY.	PARTS LIST	
			MATERIAL	HEAT TREAT
			NYLON 6/6	FINISH
			DIMENSIONS ARE IN INCH'S	DRAWN BY:
			TOLERANCES UNLESS OTHERWISE SPECIFIED:	DATE:
			2 PL DEC ±	<i>AD-TEK/VL</i> 7/3/90
			3 PL DEC ± .039	CHECK BY:
			4 PL DEC ±	<i>BJM 7/90</i>
			ANGLES ±	APPROVED BY:
			SURF TEXTURE: <i>J</i>	RELEASE:
			REMOVE BURRS, BREAK SHARP EDGES, .015 R. MAX.	
			SCALE: A	DRAWING No.: 608703
				SHEET: 1 OF 1
				REV.: 0
P	F	LTR	REVISION RECORD	APP DATE
			ECN 062890	7/90

AMP | AMP INCORPORATED
Harrisburg, Pa.

NAME: IDENTIFICATION CABLE TIE 15 INCH