



Chipsmall Limited consists of a professional team with an average of over 10 year of expertise in the distribution of electronic components. Based in Hongkong, we have already established firm and mutual-benefit business relationships with customers from,Europe,America and south Asia,supplying obsolete and hard-to-find components to meet their specific needs.

With the principle of “Quality Parts,Customers Priority,Honest Operation,and Considerate Service”,our business mainly focus on the distribution of electronic components. Line cards we deal with include Microchip,ALPS,ROHM,Xilinx,Pulse,ON,Everlight and Freescale. Main products comprise IC,Modules,Potentiometer,IC Socket,Relay,Connector.Our parts cover such applications as commercial,industrial, and automotives areas.

We are looking forward to setting up business relationship with you and hope to provide you with the best service and solution. Let us make a better world for our industry!



Contact us

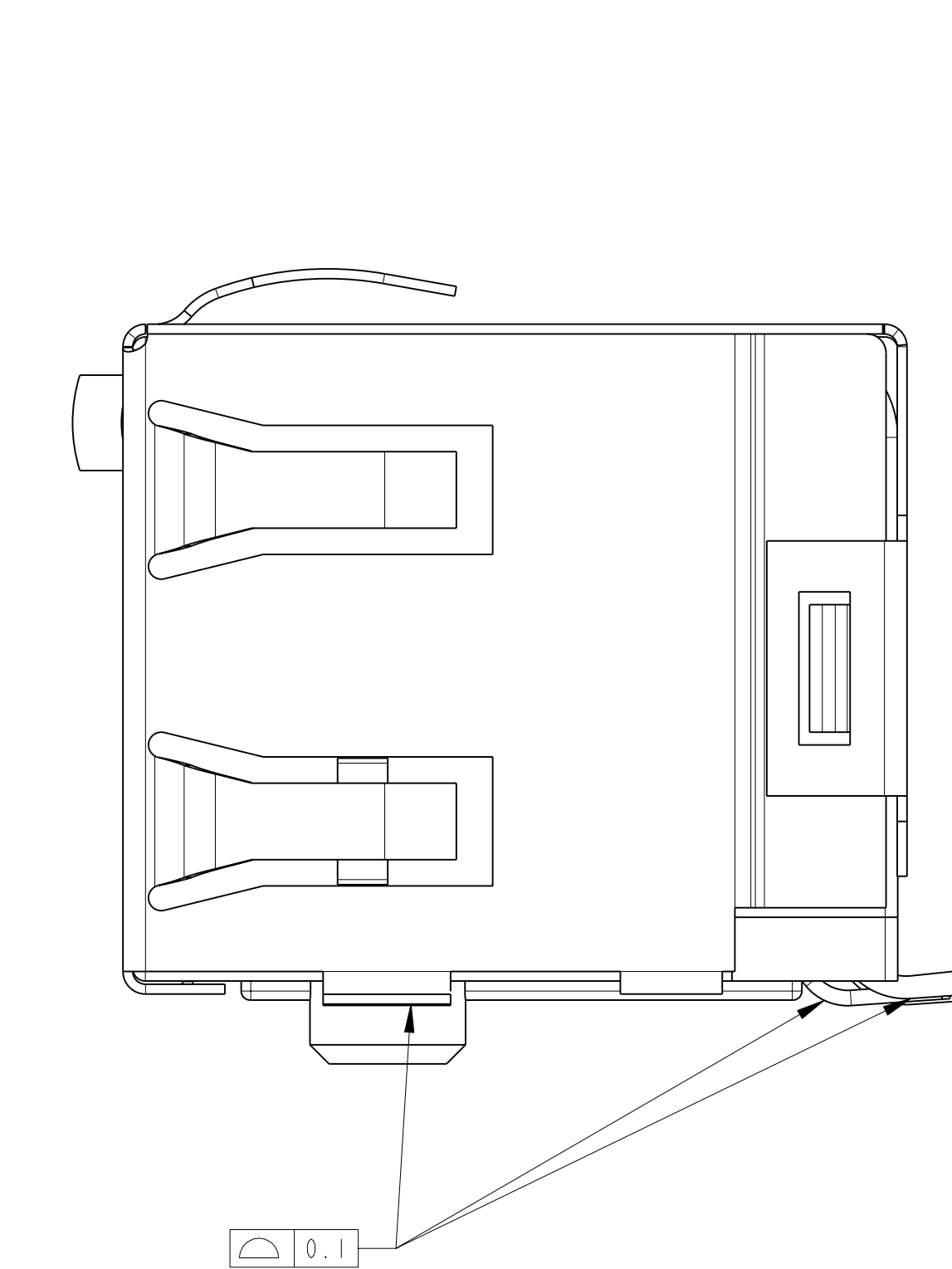
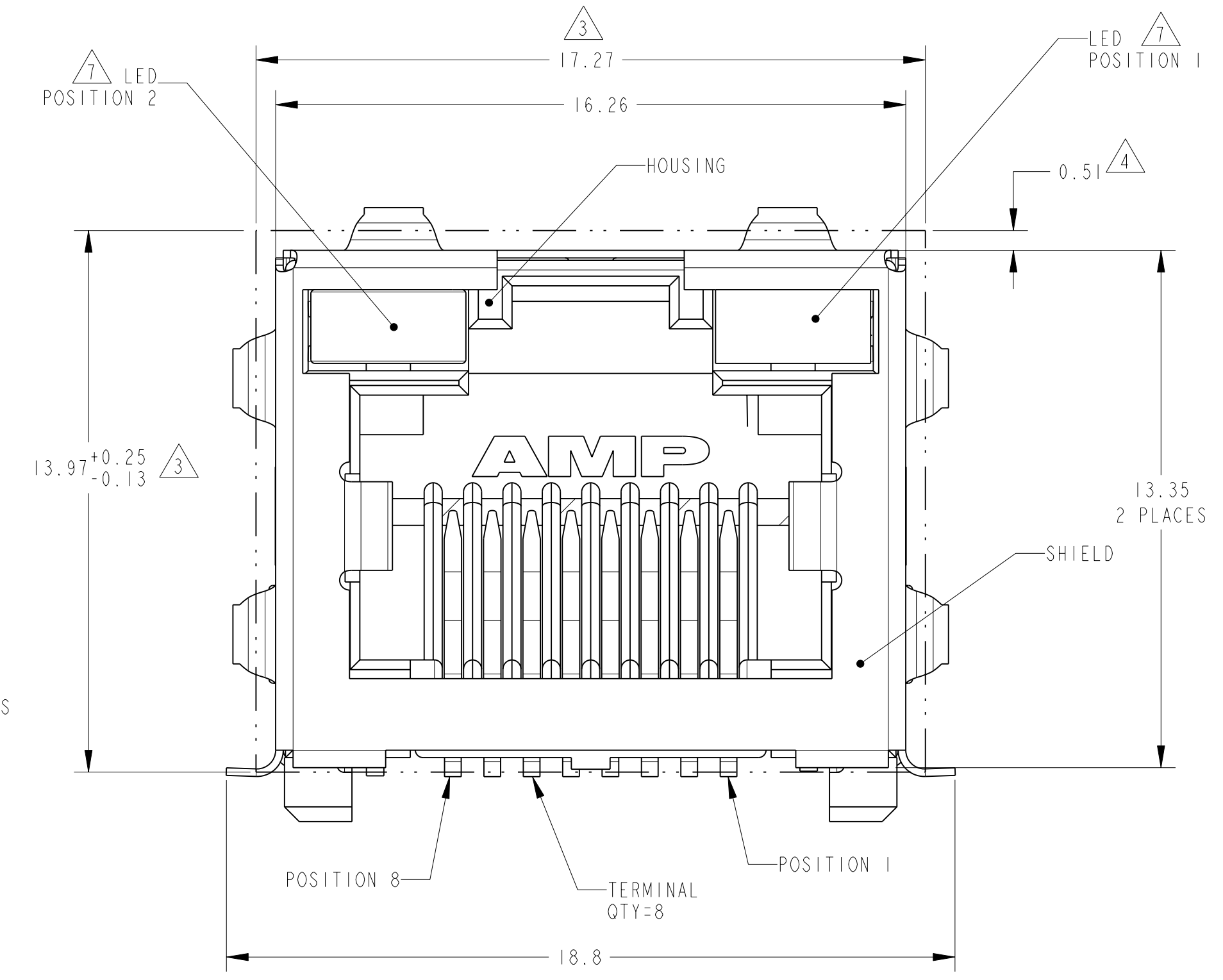
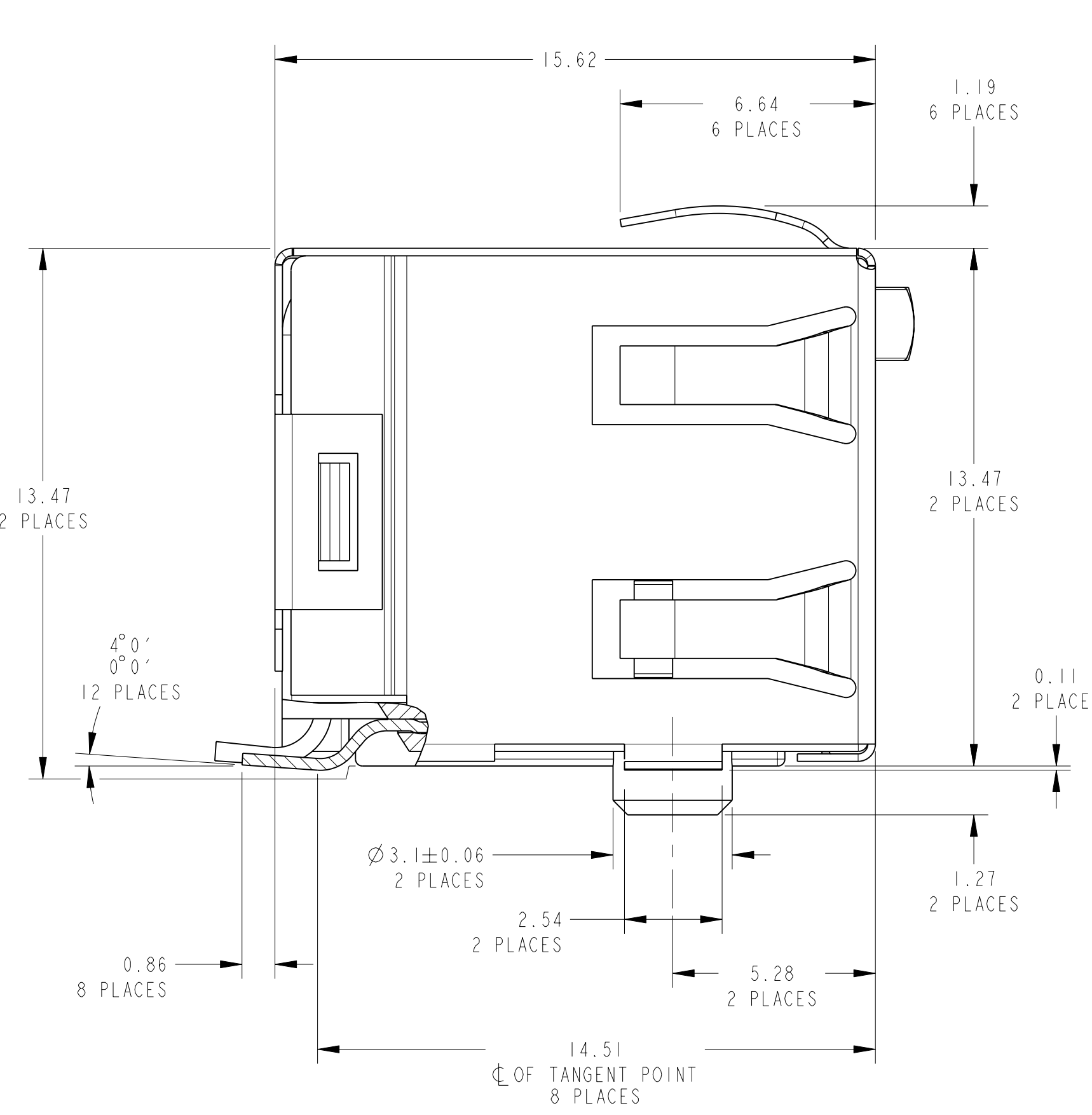
Tel: +86-755-8981 8866 Fax: +86-755-8427 6832

Email & Skype: info@chipsmall.com Web: www.chipsmall.com

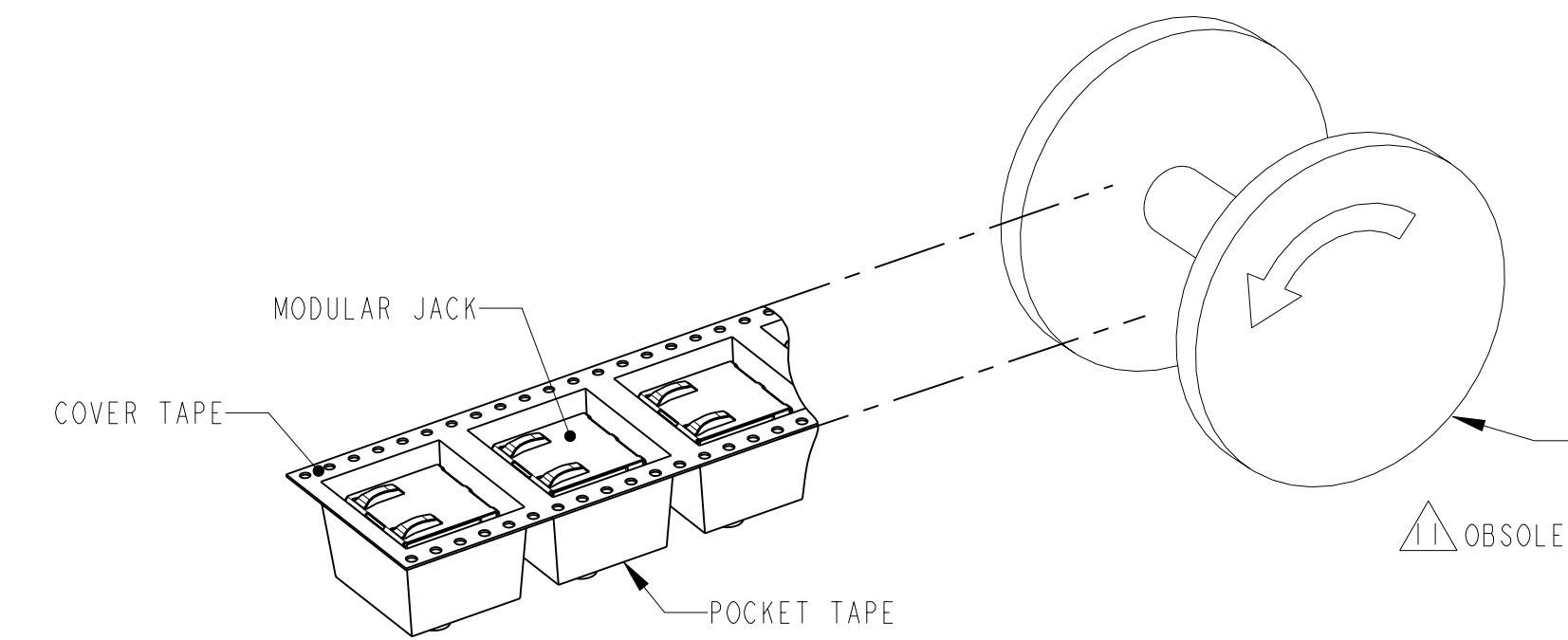
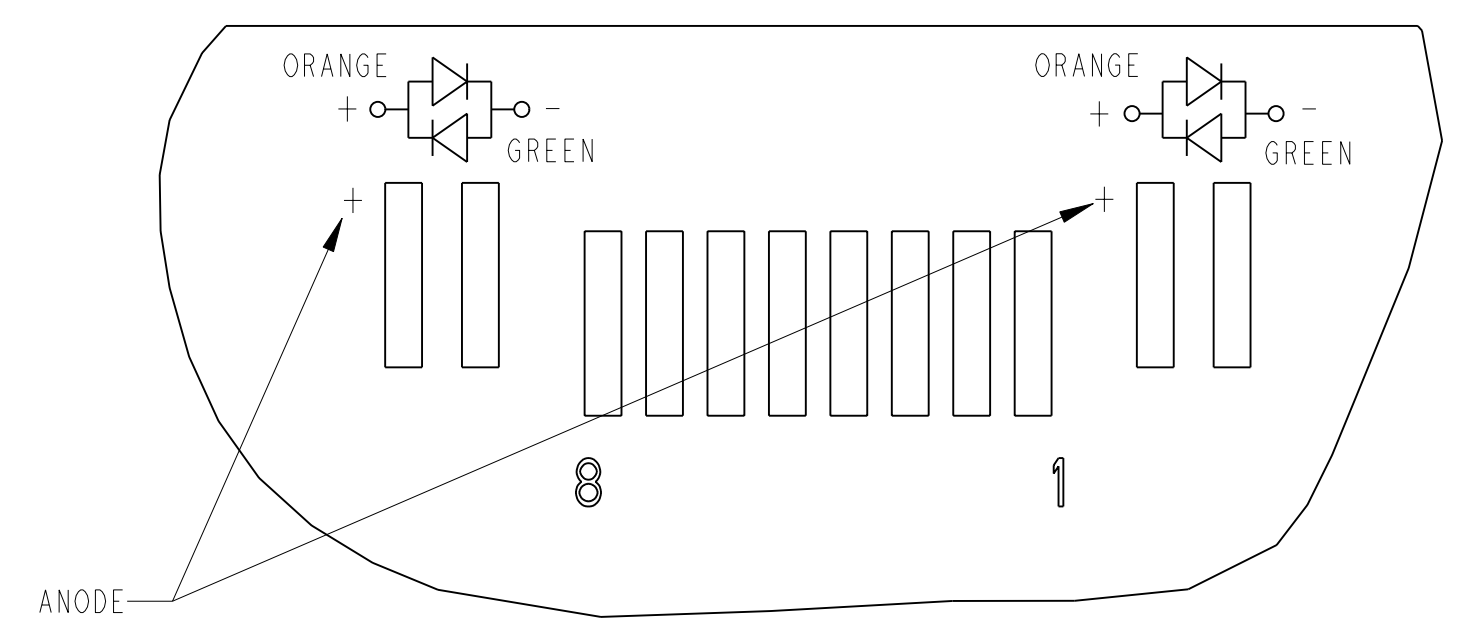
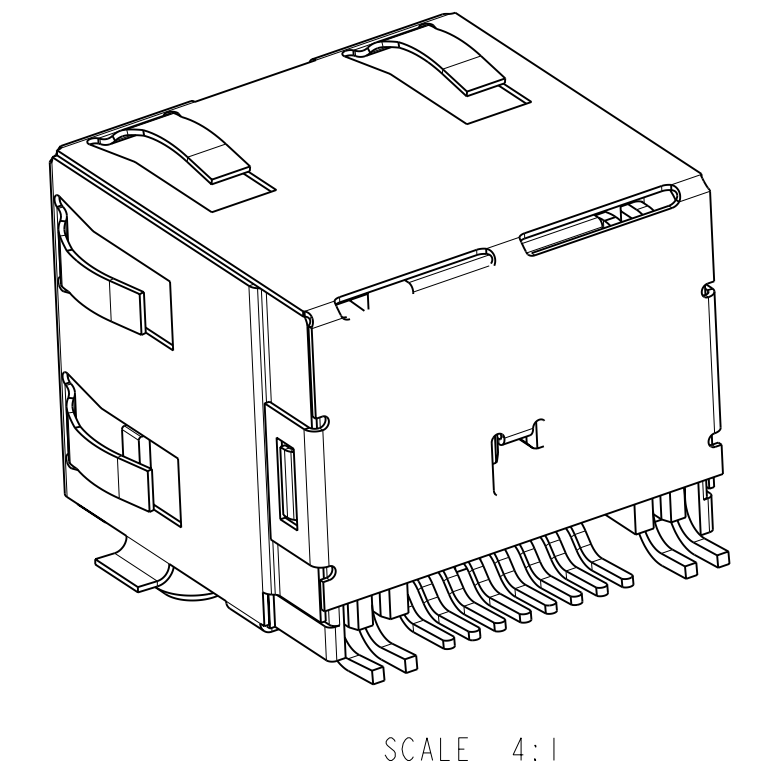
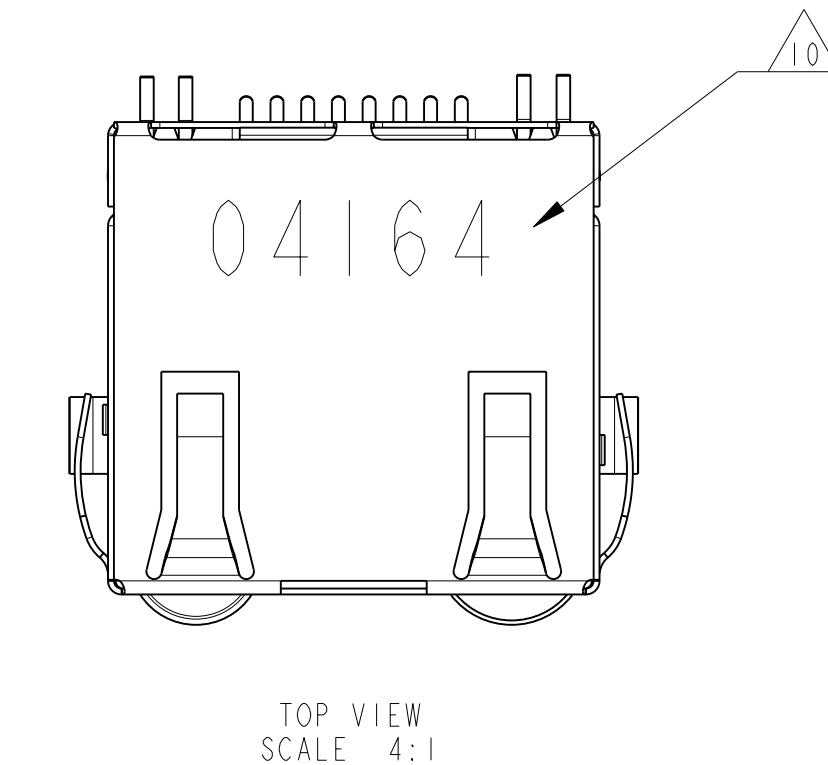
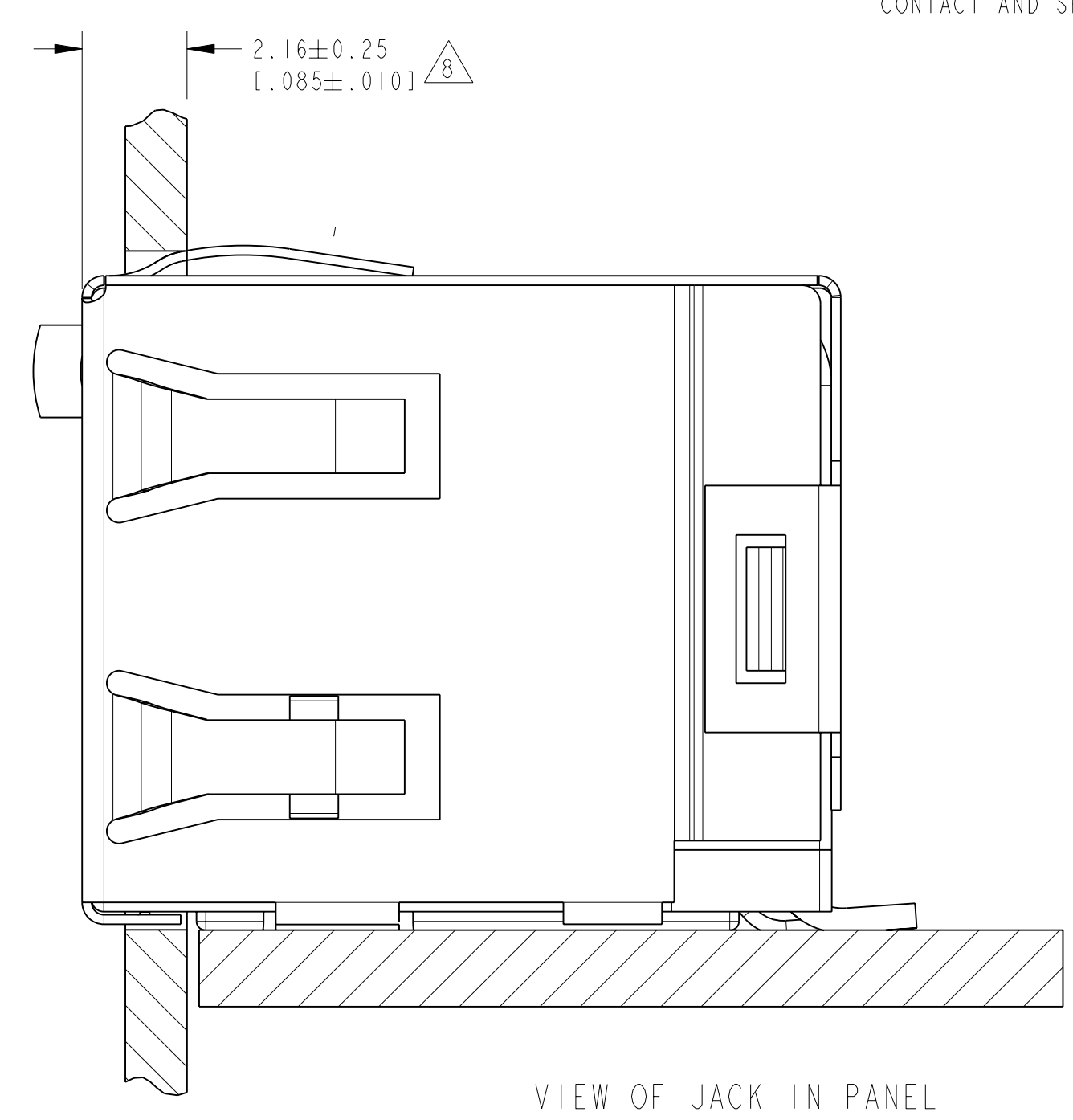
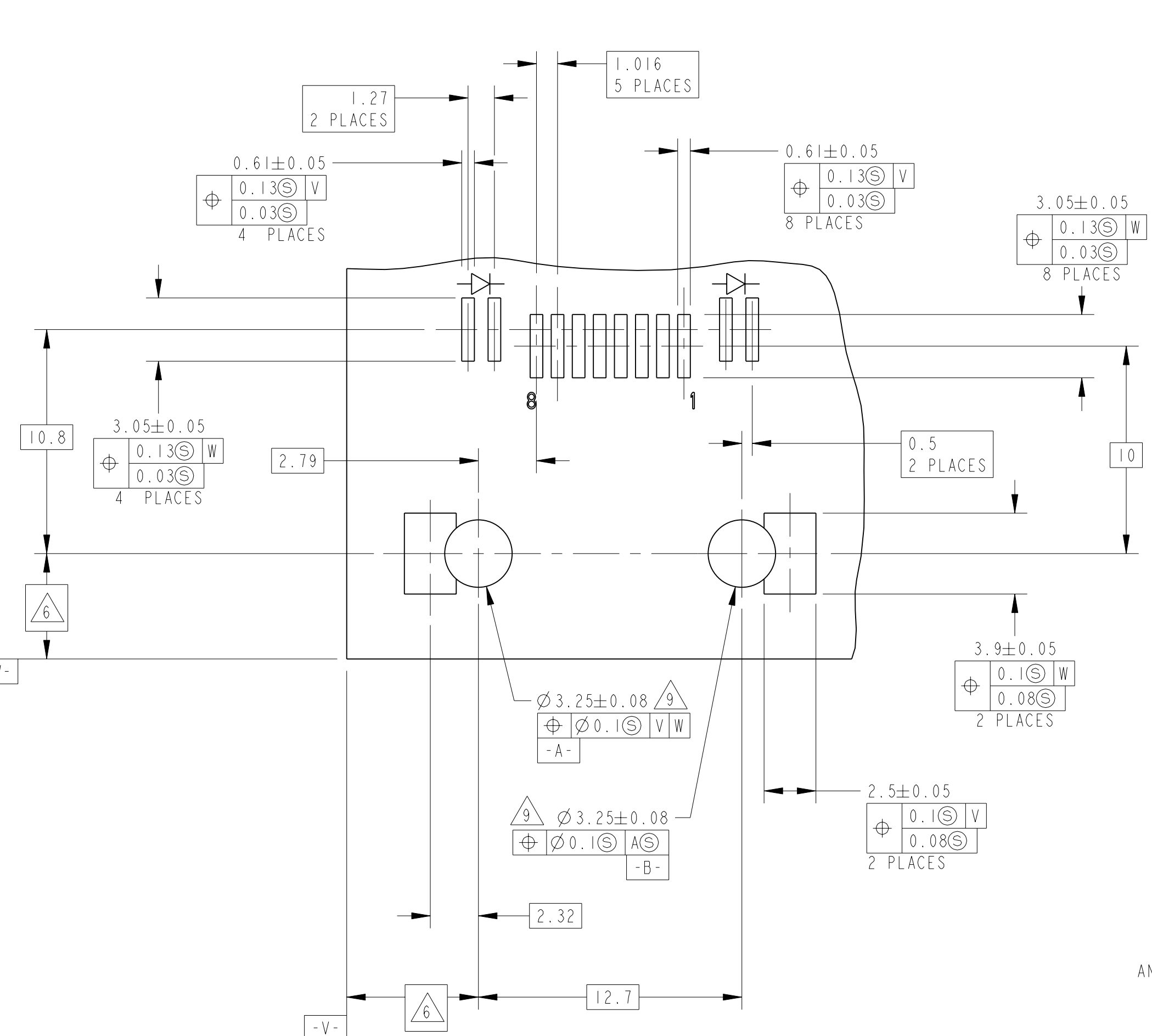
Address: A1208, Overseas Decoration Building, #122 Zhenhua RD., Futian, Shenzhen, China



LOC	DIST	REV	DATE	BY	APPD
IR	-	E	18NOV2011	PS	RRP



- MATERIAL:
 - HOUSING - HIGH TEMP THERMOPLASTIC - LCP, BLACK, UL94V-0
 - TERMINALS - 0.30 THICK PHOS BRONZE PLATED WITH 3-8.1µm MINIMUM THICK MATTE TIN IN SOLDER AREA, 1.27µm MINIMUM THICK GOLD IN LOCALIZED PLATE AREA. ENTIRE TERMINAL PLATED WITH 1.27µm MINIMUM THICK NICKEL.
 - SHIELD - 0.196 THICK COPPER ZINC ALLOY PREPLATED WITH 2.03µm-3.81µm THICK MATTE TIN OVER 1.27µm THICK NICKEL.
 - LIGHT EMITTING DIODE (LED) -- DIFFUSED EPOXY LENS, 0.51 X 0.51 (.020 X .020) CARBON STEEL WIREFRAME LEADS PREPLATED WITH 8.89 µm (.00080) THICK Ag OVER 1.02 µm (.00040) THICK Cu OVER 3.56 µm (.00140) THICK Ni OVER 1.02 µm (.00040) Cu UNDERPLATE.
 - JACK CAVITY CONFORMS TO FCC RULES AND REGULATIONS PART 68, SUBPART F
- 3 SUGGESTED PANEL OPENING DIMENSIONS. SEE APPLICATION SPEC 114-2154 FOR PANEL THICKNESS AND POSITION RECOMMENDATIONS
 4 SUGGESTED CLEARANCE BETWEEN TOP OF CONNECTOR AND TOP PANEL OPENING
 5 PACKAGED: POCKET TAPE & REEL (PER EAI 481 SPECIFICATIONS)
 POCKET TAPE WIDTH - 44mm
 POCKET PITCH - 24mm
 POCKET DEPTH - 16.7mm
 CLEAR COVER TAPE, PSA
 CLEAR COVER TAPE TRAILER - 610mm, WRAPPED ON REEL HUB
 PLASTIC REEL - 381mm DIAMETER
 PRODUCT QUANTITY - 200 PIECES PER REEL



SUGGESTED PCB LAYOUT (COMPONENT SIDE)

BI-COLOR LED SCHEMATIC FOR 2-6339191-2 ONLY SCALE 8:1

REVISION	DATE	BY	APPD	DESCRIPTION
1	27 JULY 2005	B. HOLTZCLAW / J. WESTMAN	S. FLICKINGER	INVERTED MODULAR JACK ASSEMBLY, 1x1, SHIELDED, SURFACE MOUNT, 8 POSITION, RJ45, WITH TWO LED'S

REVISION	DATE	BY	APPD	DESCRIPTION
2	27 JULY 2005	J. WESTMAN	S. FLICKINGER	INVERTED MODULAR JACK ASSEMBLY, 1x1, SHIELDED, SURFACE MOUNT, 8 POSITION, RJ45, WITH TWO LED'S
3	27 JULY 2005	J. WESTMAN	S. FLICKINGER	INVERTED MODULAR JACK ASSEMBLY, 1x1, SHIELDED, SURFACE MOUNT, 8 POSITION, RJ45, WITH TWO LED'S
4	27 JULY 2005	J. WESTMAN	S. FLICKINGER	INVERTED MODULAR JACK ASSEMBLY, 1x1, SHIELDED, SURFACE MOUNT, 8 POSITION, RJ45, WITH TWO LED'S
5	27 JULY 2005	J. WESTMAN	S. FLICKINGER	INVERTED MODULAR JACK ASSEMBLY, 1x1, SHIELDED, SURFACE MOUNT, 8 POSITION, RJ45, WITH TWO LED'S
6	27 JULY 2005	J. WESTMAN	S. FLICKINGER	INVERTED MODULAR JACK ASSEMBLY, 1x1, SHIELDED, SURFACE MOUNT, 8 POSITION, RJ45, WITH TWO LED'S
7	27 JULY 2005	J. WESTMAN	S. FLICKINGER	INVERTED MODULAR JACK ASSEMBLY, 1x1, SHIELDED, SURFACE MOUNT, 8 POSITION, RJ45, WITH TWO LED'S
8	27 JULY 2005	J. WESTMAN	S. FLICKINGER	INVERTED MODULAR JACK ASSEMBLY, 1x1, SHIELDED, SURFACE MOUNT, 8 POSITION, RJ45, WITH TWO LED'S
9	27 JULY 2005	J. WESTMAN	S. FLICKINGER	INVERTED MODULAR JACK ASSEMBLY, 1x1, SHIELDED, SURFACE MOUNT, 8 POSITION, RJ45, WITH TWO LED'S
10	27 JULY 2005	J. WESTMAN	S. FLICKINGER	INVERTED MODULAR JACK ASSEMBLY, 1x1, SHIELDED, SURFACE MOUNT, 8 POSITION, RJ45, WITH TWO LED'S
11	27 JULY 2005	J. WESTMAN	S. FLICKINGER	INVERTED MODULAR JACK ASSEMBLY, 1x1, SHIELDED, SURFACE MOUNT, 8 POSITION, RJ45, WITH TWO LED'S

REVISION	DATE	BY	APPD	DESCRIPTION
1	27 JULY 2005	B. HOLTZCLAW / J. WESTMAN	S. FLICKINGER	INVERTED MODULAR JACK ASSEMBLY, 1x1, SHIELDED, SURFACE MOUNT, 8 POSITION, RJ45, WITH TWO LED'S
2	27 JULY 2005	J. WESTMAN	S. FLICKINGER	INVERTED MODULAR JACK ASSEMBLY, 1x1, SHIELDED, SURFACE MOUNT, 8 POSITION, RJ45, WITH TWO LED'S
3	27 JULY 2005	J. WESTMAN	S. FLICKINGER	INVERTED MODULAR JACK ASSEMBLY, 1x1, SHIELDED, SURFACE MOUNT, 8 POSITION, RJ45, WITH TWO LED'S
4	27 JULY 2005	J. WESTMAN	S. FLICKINGER	INVERTED MODULAR JACK ASSEMBLY, 1x1, SHIELDED, SURFACE MOUNT, 8 POSITION, RJ45, WITH TWO LED'S
5	27 JULY 2005	J. WESTMAN	S. FLICKINGER	INVERTED MODULAR JACK ASSEMBLY, 1x1, SHIELDED, SURFACE MOUNT, 8 POSITION, RJ45, WITH TWO LED'S
6	27 JULY 2005	J. WESTMAN	S. FLICKINGER	INVERTED MODULAR JACK ASSEMBLY, 1x1, SHIELDED, SURFACE MOUNT, 8 POSITION, RJ45, WITH TWO LED'S
7	27 JULY 2005	J. WESTMAN	S. FLICKINGER	INVERTED MODULAR JACK ASSEMBLY, 1x1, SHIELDED, SURFACE MOUNT, 8 POSITION, RJ45, WITH TWO LED'S
8	27 JULY 2005	J. WESTMAN	S. FLICKINGER	INVERTED MODULAR JACK ASSEMBLY, 1x1, SHIELDED, SURFACE MOUNT, 8 POSITION, RJ45, WITH TWO LED'S
9	27 JULY 2005	J. WESTMAN	S. FLICKINGER	INVERTED MODULAR JACK ASSEMBLY, 1x1, SHIELDED, SURFACE MOUNT, 8 POSITION, RJ45, WITH TWO LED'S
10	27 JULY 2005	J. WESTMAN	S. FLICKINGER	INVERTED MODULAR JACK ASSEMBLY, 1x1, SHIELDED, SURFACE MOUNT, 8 POSITION, RJ45, WITH TWO LED'S
11	27 JULY 2005	J. WESTMAN	S. FLICKINGER	INVERTED MODULAR JACK ASSEMBLY, 1x1, SHIELDED, SURFACE MOUNT, 8 POSITION, RJ45, WITH TWO LED'S

REVISION	DATE	BY	APPD	DESCRIPTION
1	27 JULY 2005	B. HOLTZCLAW / J. WESTMAN	S. FLICKINGER	INVERTED MODULAR JACK ASSEMBLY, 1x1, SHIELDED, SURFACE MOUNT, 8 POSITION, RJ45, WITH TWO LED'S
2	27 JULY 2005	J. WESTMAN	S. FLICKINGER	INVERTED MODULAR JACK ASSEMBLY, 1x1, SHIELDED, SURFACE MOUNT, 8 POSITION, RJ45, WITH TWO LED'S
3	27 JULY 2005	J. WESTMAN	S. FLICKINGER	INVERTED MODULAR JACK ASSEMBLY, 1x1, SHIELDED, SURFACE MOUNT, 8 POSITION, RJ45, WITH TWO LED'S
4	27 JULY 2005	J. WESTMAN	S. FLICKINGER	INVERTED MODULAR JACK ASSEMBLY, 1x1, SHIELDED, SURFACE MOUNT, 8 POSITION, RJ45, WITH TWO LED'S
5	27 JULY 2005	J. WESTMAN	S. FLICKINGER	INVERTED MODULAR JACK ASSEMBLY, 1x1, SHIELDED, SURFACE MOUNT, 8 POSITION, RJ45, WITH TWO LED'S
6	27 JULY 2005	J. WESTMAN	S. FLICKINGER	INVERTED MODULAR JACK ASSEMBLY, 1x1, SHIELDED, SURFACE MOUNT, 8 POSITION, RJ45, WITH TWO LED'S
7	27 JULY 2005	J. WESTMAN	S. FLICKINGER	INVERTED MODULAR JACK ASSEMBLY, 1x1, SHIELDED, SURFACE MOUNT, 8 POSITION, RJ45, WITH TWO LED'S
8	27 JULY 2005	J. WESTMAN	S. FLICKINGER	INVERTED MODULAR JACK ASSEMBLY, 1x1, SHIELDED, SURFACE MOUNT, 8 POSITION, RJ45, WITH TWO LED'S
9	27 JULY 2005	J. WESTMAN	S. FLICKINGER	INVERTED MODULAR JACK ASSEMBLY, 1x1, SHIELDED, SURFACE MOUNT, 8 POSITION, RJ45, WITH TWO LED'S
10	27 JULY 2005	J. WESTMAN	S. FLICKINGER	INVERTED MODULAR JACK ASSEMBLY, 1x1, SHIELDED, SURFACE MOUNT, 8 POSITION, RJ45, WITH TWO LED'S
11	27 JULY 2005	J. WESTMAN	S. FLICKINGER	INVERTED MODULAR JACK ASSEMBLY, 1x1, SHIELDED, SURFACE MOUNT, 8 POSITION, RJ45, WITH TWO LED'S

REVISION	DATE	BY	APPD	DESCRIPTION
1	27 JULY 2005	B. HOLTZCLAW / J. WESTMAN	S. FLICKINGER	INVERTED MODULAR JACK ASSEMBLY, 1x1, SHIELDED, SURFACE MOUNT, 8 POSITION, RJ45, WITH TWO LED'S
2	27 JULY 2005	J. WESTMAN	S. FLICKINGER	INVERTED MODULAR JACK ASSEMBLY, 1x1, SHIELDED, SURFACE MOUNT, 8 POSITION, RJ45, WITH TWO LED'S
3	27 JULY 2005	J. WESTMAN	S. FLICKINGER	INVERTED MODULAR JACK ASSEMBLY, 1x1, SHIELDED, SURFACE MOUNT, 8 POSITION, RJ45, WITH TWO LED'S
4	27 JULY 2005	J. WESTMAN	S. FLICKINGER	INVERTED MODULAR JACK ASSEMBLY, 1x1, SHIELDED, SURFACE MOUNT, 8 POSITION, RJ45, WITH TWO LED'S
5	27 JULY 2005	J. WESTMAN	S. FLICKINGER	INVERTED MODULAR JACK ASSEMBLY, 1x1, SHIELDED, SURFACE MOUNT, 8 POSITION, RJ45, WITH TWO LED'S
6	27 JULY 2005	J. WESTMAN	S. FLICKINGER	INVERTED MODULAR JACK ASSEMBLY, 1x1, SHIELDED, SURFACE MOUNT, 8 POSITION, RJ45, WITH TWO LED'S
7	27 JULY 2005	J. WESTMAN	S. FLICKINGER	INVERTED MODULAR JACK ASSEMBLY, 1x1, SHIELDED, SURFACE MOUNT, 8 POSITION, RJ45, WITH TWO LED'S
8	27 JULY 2005	J. WESTMAN	S. FLICKINGER	INVERTED MODULAR JACK ASSEMBLY, 1x1, SHIELDED, SURFACE MOUNT, 8 POSITION, RJ45, WITH TWO LED'S
9	27 JULY 2005	J. WESTMAN	S. FLICKINGER	INVERTED MODULAR JACK ASSEMBLY, 1x1, SHIELDED, SURFACE MOUNT, 8 POSITION, RJ45, WITH TWO LED'S
10	27 JULY 2005	J. WESTMAN	S. FLICKINGER	INVERTED MODULAR JACK ASSEMBLY, 1x1, SHIELDED, SURFACE MOUNT, 8 POSITION, RJ45, WITH TWO LED'S
11	27 JULY 2005	J. WESTMAN	S. FLICKINGER	INVERTED MODULAR JACK ASSEMBLY, 1x1, SHIELDED, SURFACE MOUNT, 8 POSITION, RJ45, WITH TWO LED'S