



Chipsmall Limited consists of a professional team with an average of over 10 year of expertise in the distribution of electronic components. Based in Hongkong, we have already established firm and mutual-benefit business relationships with customers from,Europe,America and south Asia,supplying obsolete and hard-to-find components to meet their specific needs.

With the principle of “Quality Parts,Customers Priority,Honest Operation,and Considerate Service”,our business mainly focus on the distribution of electronic components. Line cards we deal with include Microchip,ALPS,ROHM,Xilinx,Pulse,ON,Everlight and Freescale. Main products comprise IC,Modules,Potentiometer,IC Socket,Relay,Connector.Our parts cover such applications as commercial,industrial, and automotives areas.

We are looking forward to setting up business relationship with you and hope to provide you with the best service and solution. Let us make a better world for our industry!



## Contact us

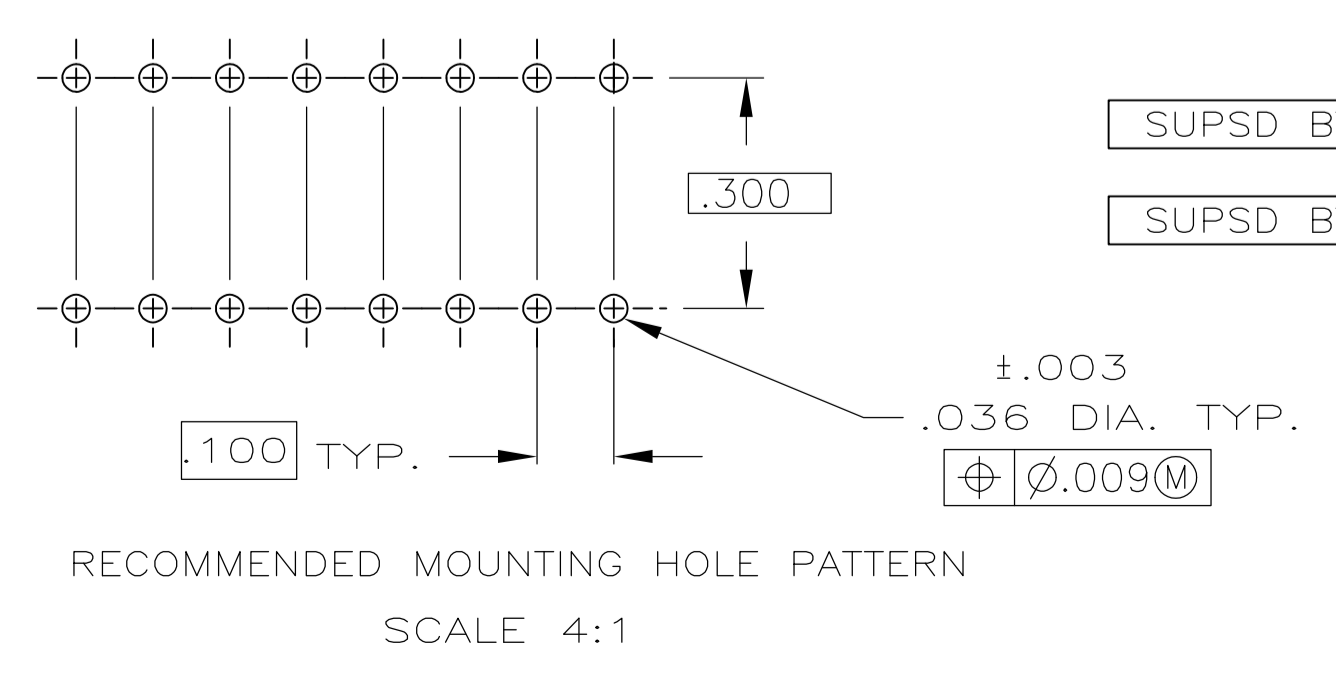
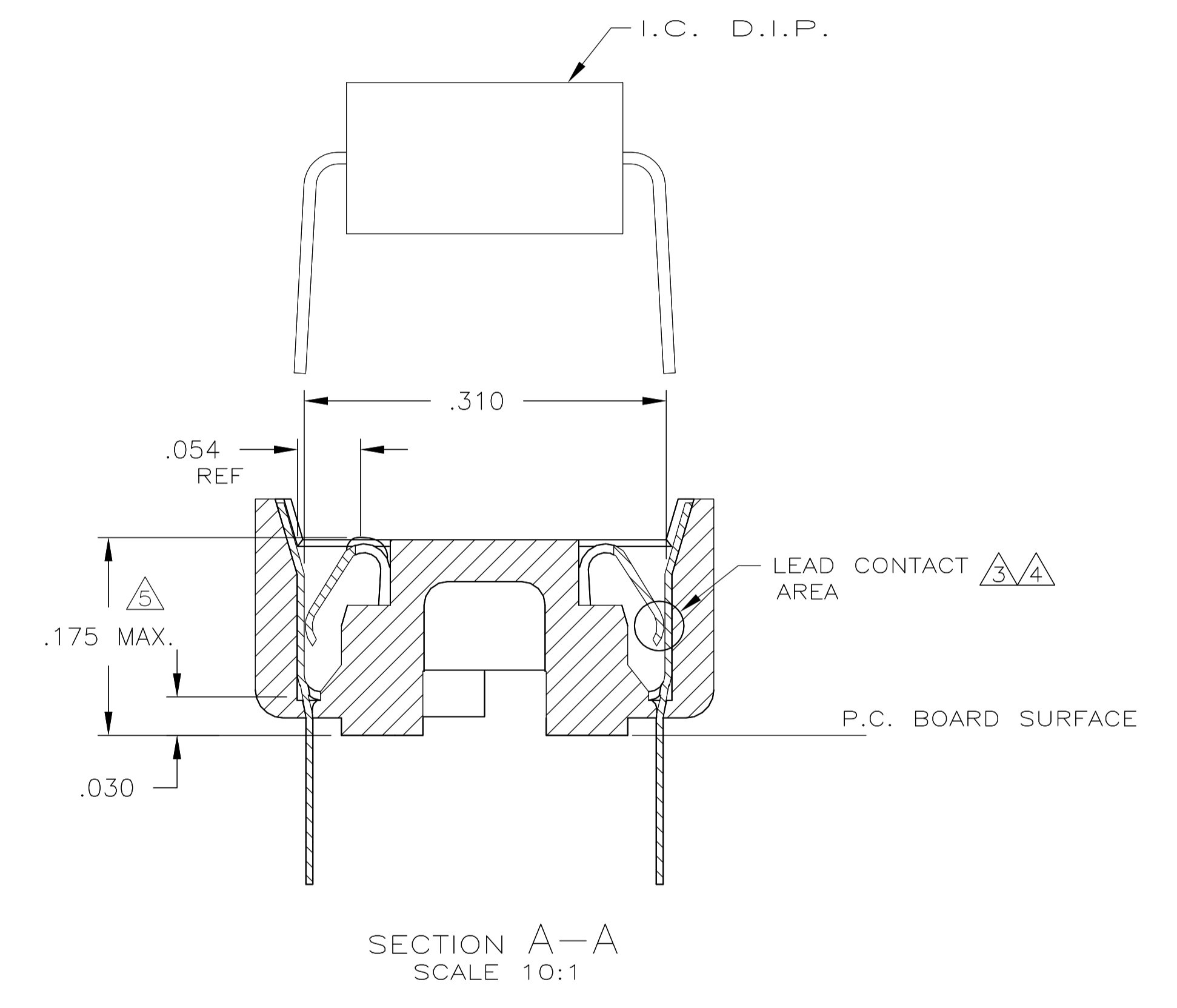
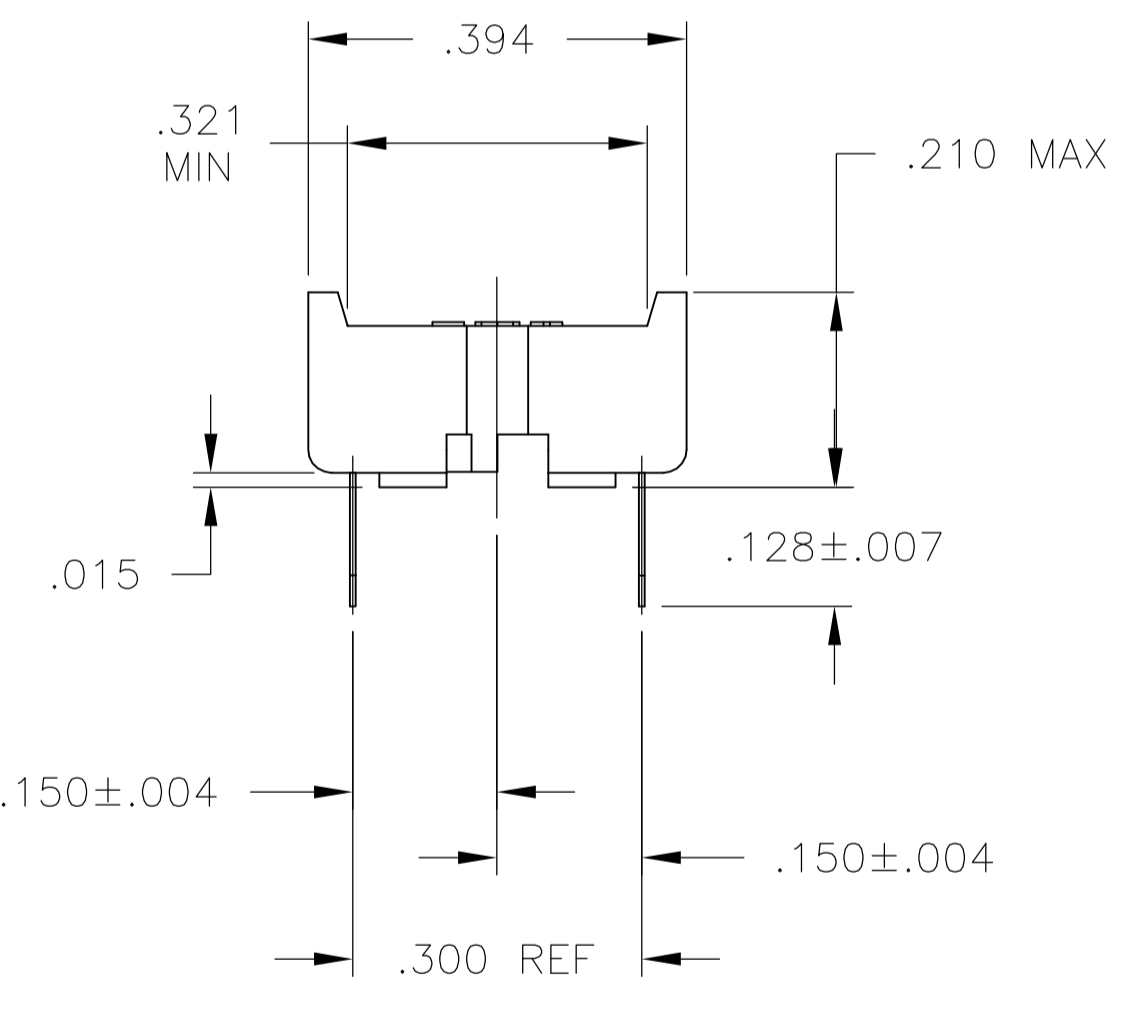
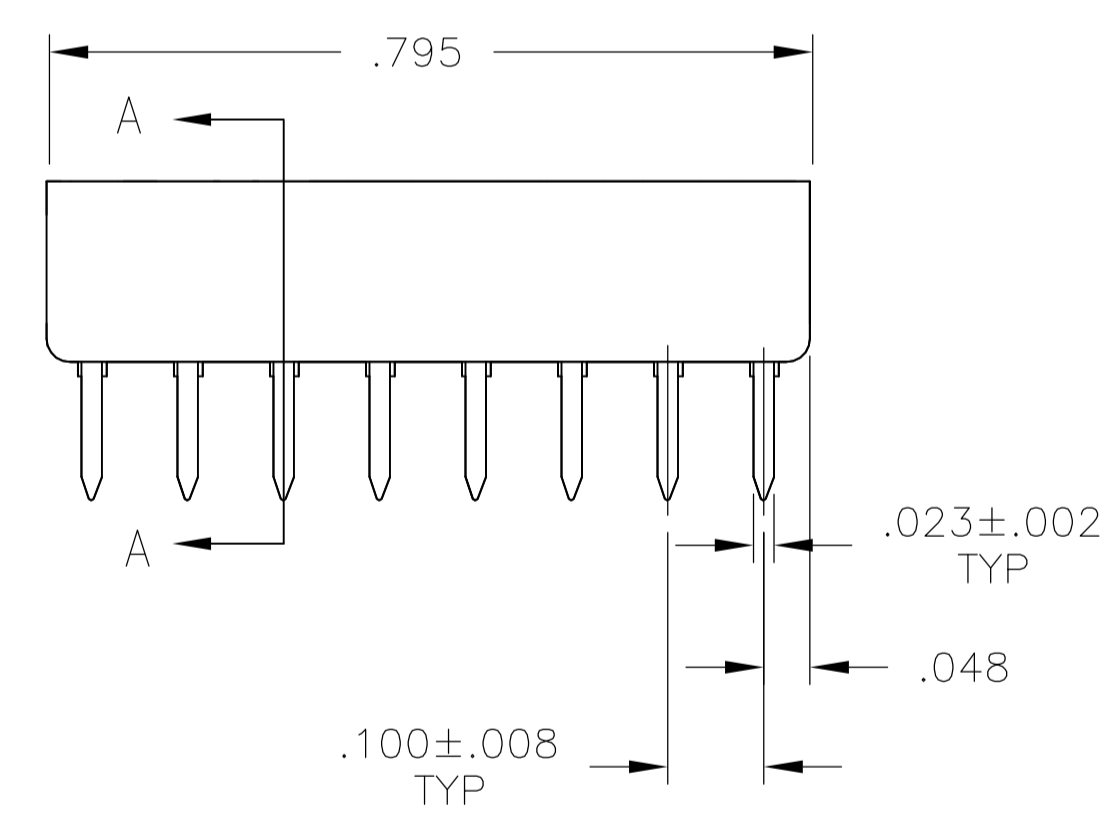
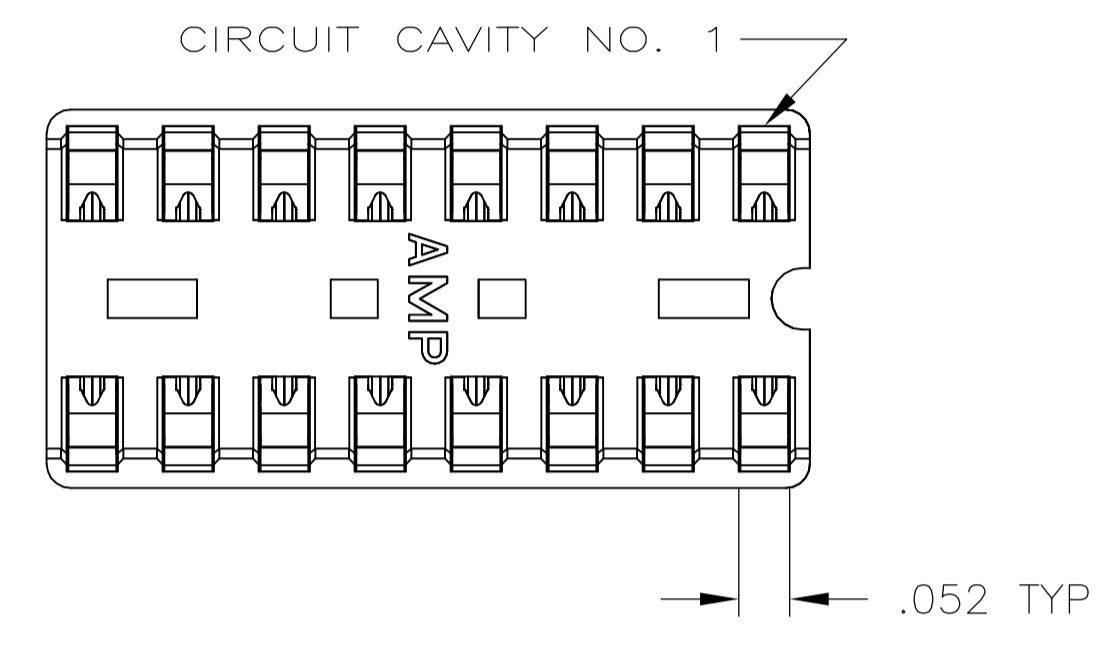
Tel: +86-755-8981 8866 Fax: +86-755-8427 6832

Email & Skype: info@chipsmall.com Web: www.chipsmall.com

Address: A1208, Overseas Decoration Building, #122 Zhenhua RD., Futian, Shenzhen, China



1. RECEPTACLE ACCEPTS A .008-.014 THICK I.C. LEAD.
2. TUBE LOADED FOR AUTOMATIC INSERTION.
3. TWO .000030 MIN THK. GOLD STRIPES IN CONTACT AREA WITH TIN-LEAD
4. TWO .000015 MIN THK. GOLD STRIPES IN CONTACT AREA WITH TIN-LEAD (93/7) ON CONTACT LEGS, BALANCE OF CONTACT NICKEL PLATED.
5. MAXIMUM DIMENSION FOR I.C. SEATING PLANE.



SUPSD BY 390261-4	4	PHOS.BRZ. .006 THK	GLASS-FILLED THERMOPLASTIC, 94V-O, BLACK	2-640358-4
	TINNED	PHOS.BRZ. .006 THK	GLASS-FILLED THERMOPLASTIC, 94V-O, BLACK	2-640358-3
SUPSD BY 390261-4	3	BE.CU. .006 THK	GLASS-FILLED THERMOPLASTIC, 94V-O, BLACK	2-640358-2
	TINNED	BE.CU. .006 THK	GLASS-FILLED THERMOPLASTIC, 94V-O, BLACK	2-640358-1
	CONTACT FINISH	CONTACT MAT'L	HOUSING MATERIAL	PART NO.

THIS DRAWING IS A CONTROLLED DOCUMENT.		DIN R BROWN 21AUG00	STE TE Connectivity	
DIMENSIONS: INCHES		CHK H WYNKOOP 21AUG00	NAME SOCKET ASSY, DIP, 16 POS, DIPLOMATE DL	
TOLERANCES UNLESS OTHERWISE SPECIFIED:		APVD H WNKOOP 21AUG00	PRODUCT SPEC 108-1066	
0 PLC ± -			APPLICATION SPEC 114-1049	
1 PLC ± -			SIZE A1	CAGE CODE 00779
2 PLC ± -			DRAWING NO. 640358	
3 PLC ± .005			RESTRICTED TO	
4 PLC ± -			WEIGHT	
ANGLES ± -			CUSTOMER DRAWING	
MATERIAL SEE TABLE		FINISH SEE TABLE		SCALE 5:1 SHEET 1 OF 1 REV AB1