



Chipsmall Limited consists of a professional team with an average of over 10 year of expertise in the distribution of electronic components. Based in Hongkong, we have already established firm and mutual-benefit business relationships with customers from,Europe,America and south Asia,supplying obsolete and hard-to-find components to meet their specific needs.

With the principle of “Quality Parts,Customers Priority,Honest Operation,and Considerate Service”,our business mainly focus on the distribution of electronic components. Line cards we deal with include Microchip,ALPS,ROHM,Xilinx,Pulse,ON,Everlight and Freescale. Main products comprise IC,Modules,Potentiometer,IC Socket,Relay,Connector.Our parts cover such applications as commercial,industrial, and automotives areas.

We are looking forward to setting up business relationship with you and hope to provide you with the best service and solution. Let us make a better world for our industry!



Contact us

Tel: +86-755-8981 8866 Fax: +86-755-8427 6832

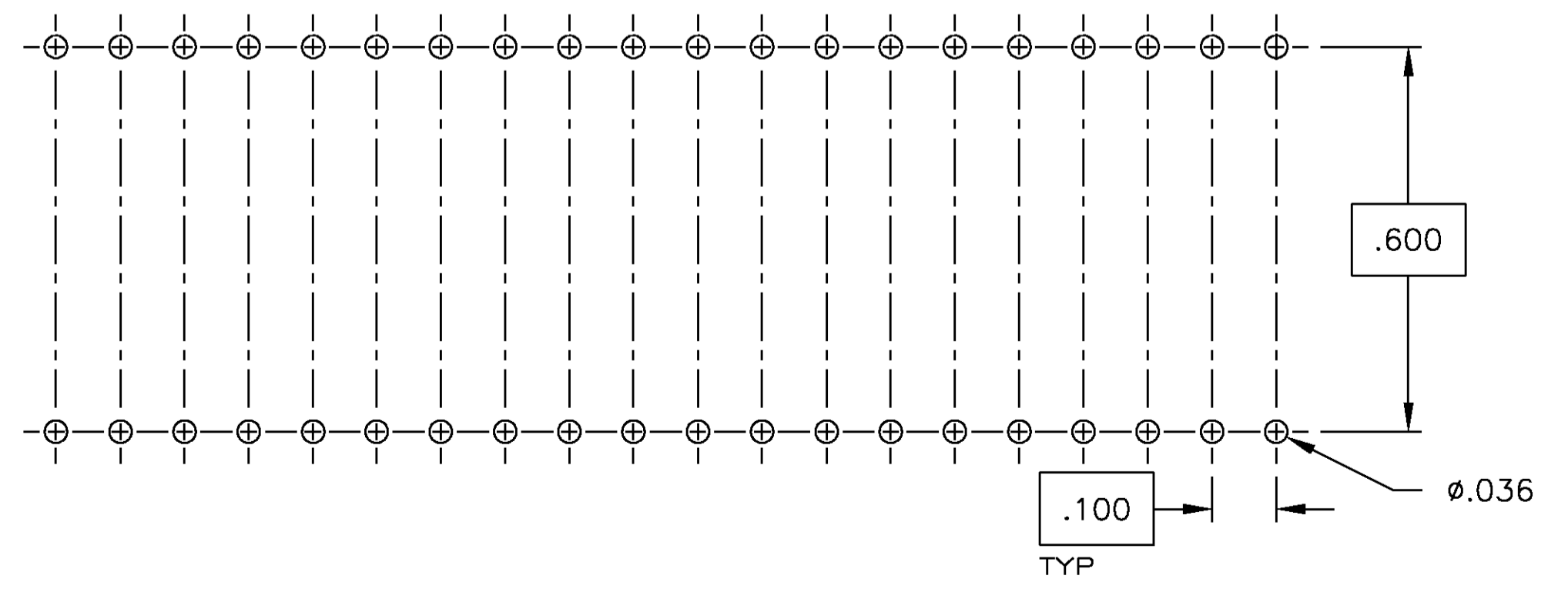
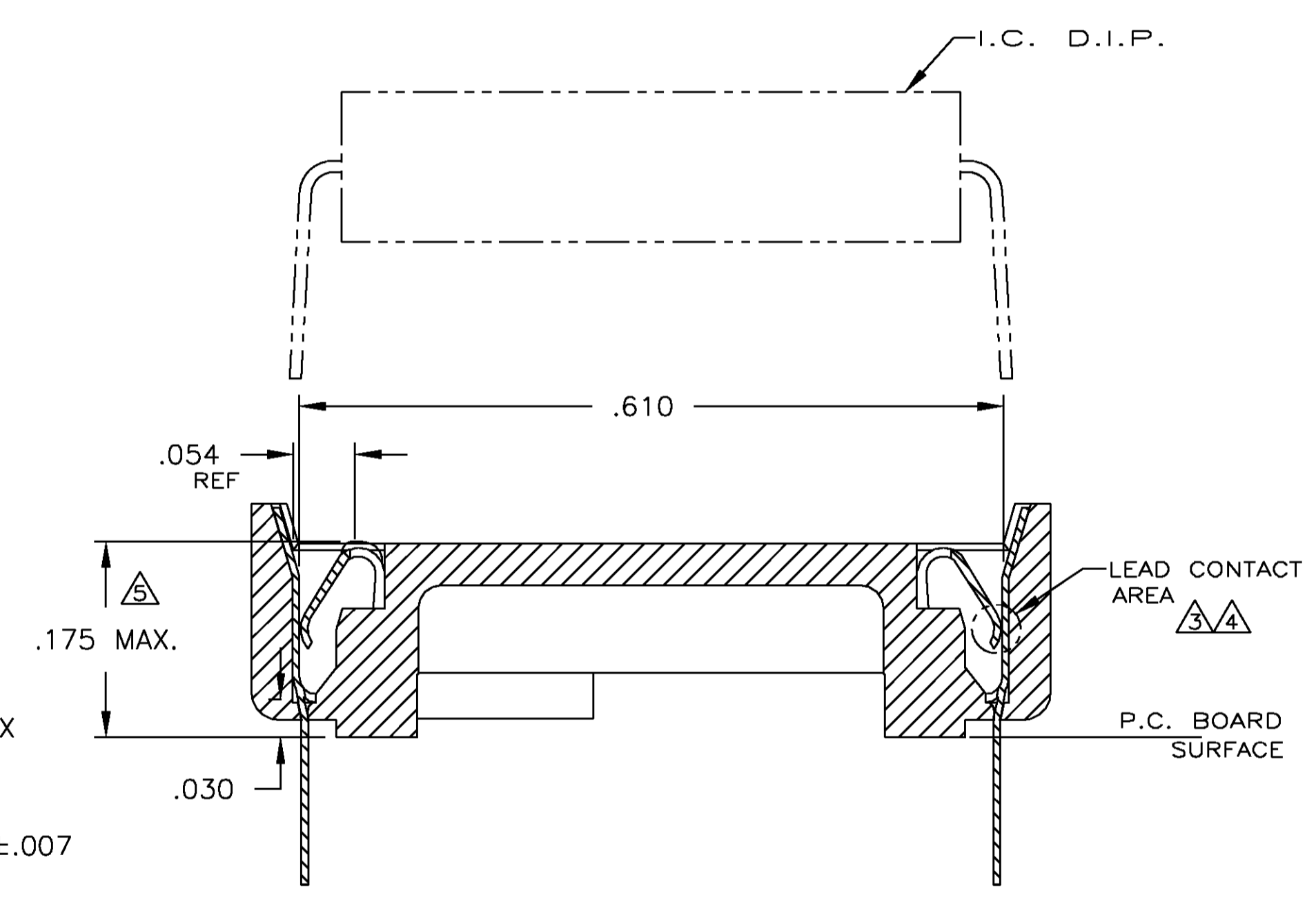
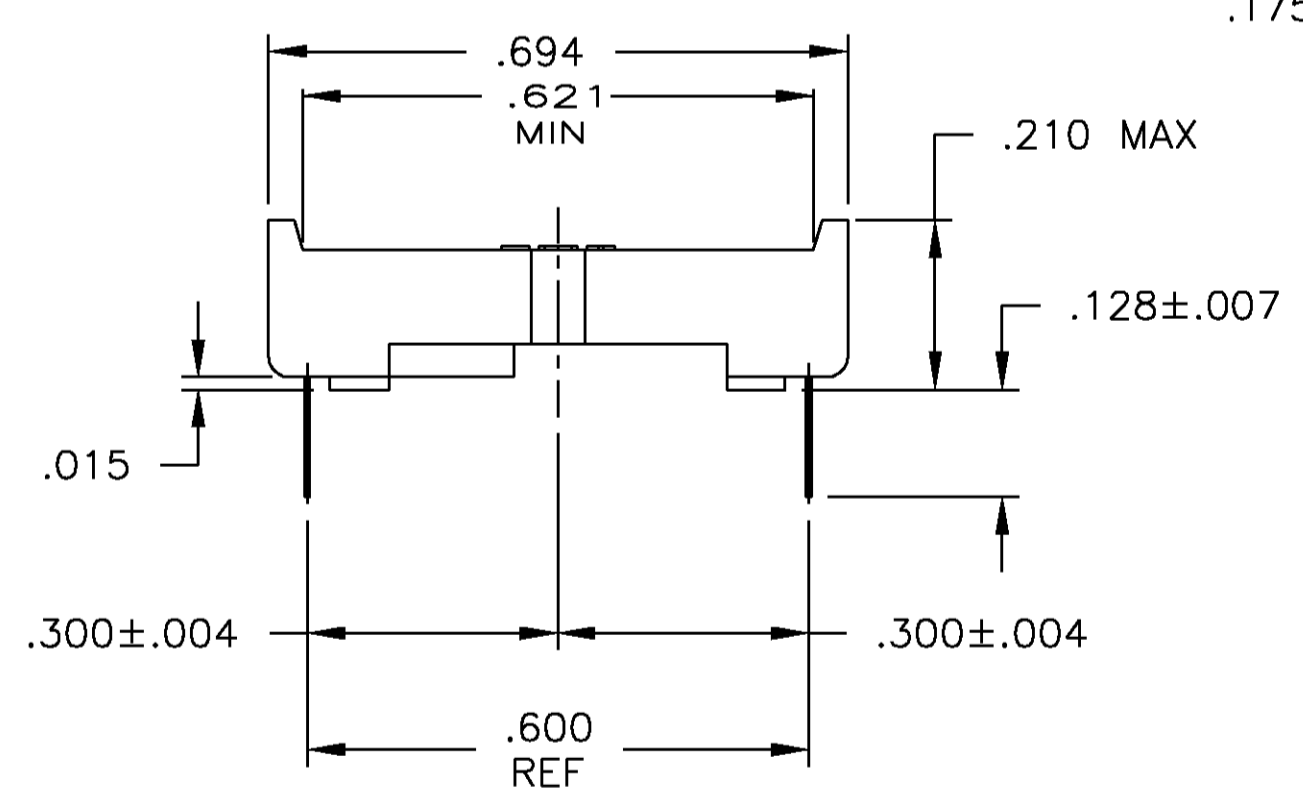
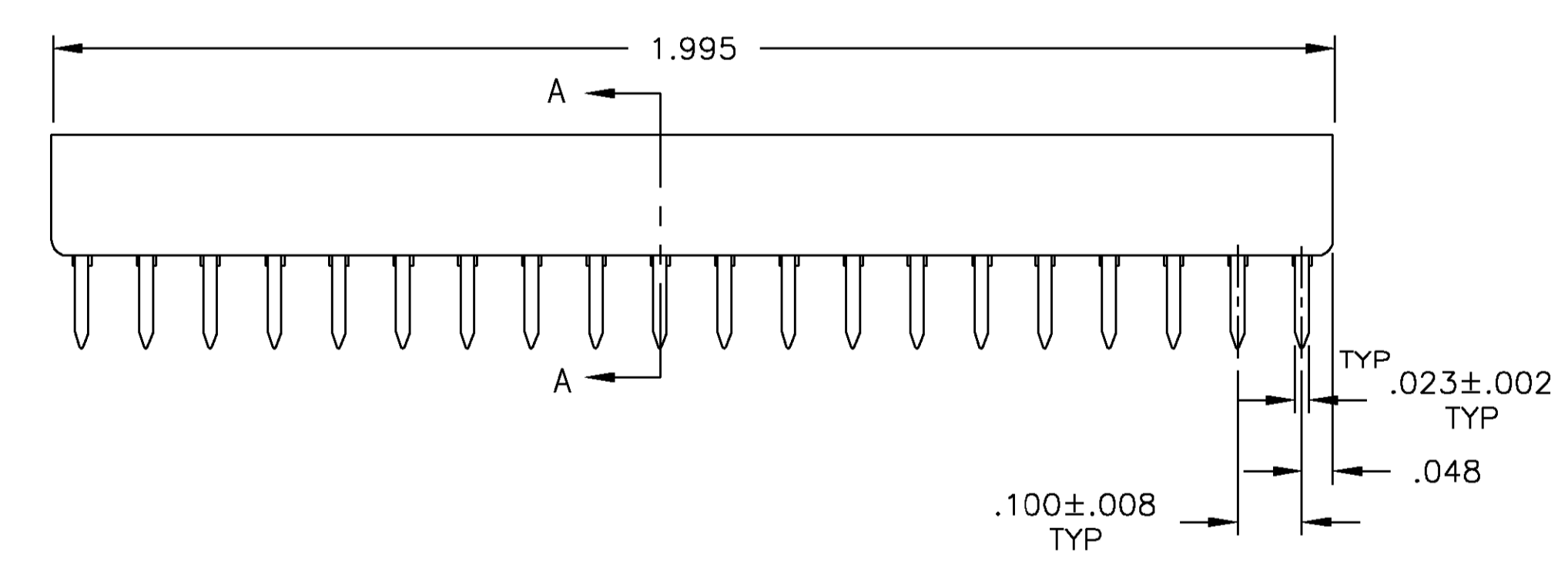
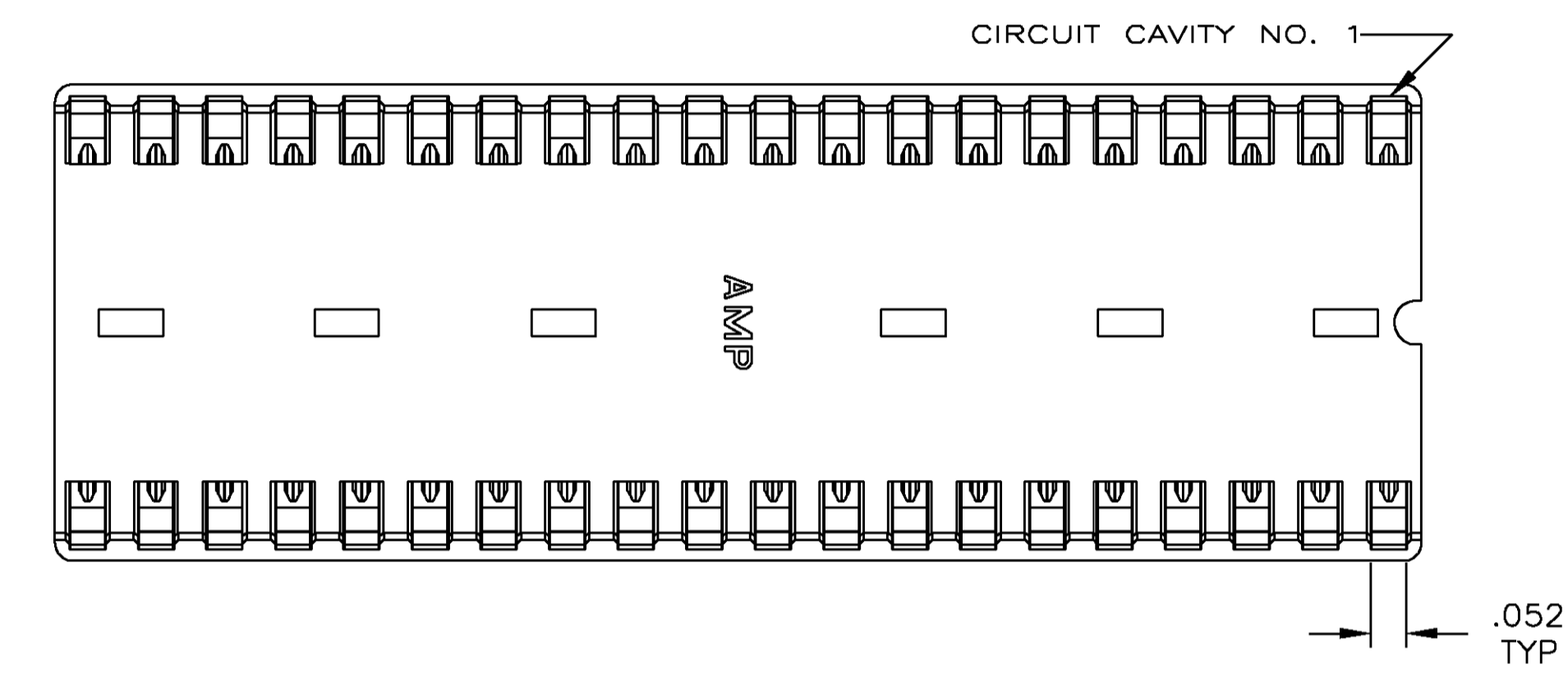
Email & Skype: info@chipsmall.com Web: www.chipsmall.com

Address: A1208, Overseas Decoration Building, #122 Zhenhua RD., Futian, Shenzhen, China



LOC		DIST		REVISIONS			
P	LN	DESCRIPTION	DATE	BY	APPD		
AD	0						
	AB	REV PER 0G3C-0198-99	23AUG00	BH	HW		

1. RECEPTACLE ACCEPTS A .008-.014 THICK I.C. LEAD.
2. TUBE LOADED FOR AUTOMATIC INSERTION.
3. TWO .000030 MIN THK. GOLD STRIPES IN CONTACT AREA WITH TIN-LEAD (93/7) ON CONTACT LEGS, BALANCE OF CONTACT NICKEL PLATED.
4. TWO .000015 MIN THK. GOLD STRIPES IN CONTACT AREA WITH TIN-LEAD (93/7) ON CONTACT LEGS, BALANCE OF CONTACT NICKEL PLATED.
5. MAXIMUM DIMENSION FOR I.C. SEATING PLANE.



RECOMMENDED MOUNTING HOLE PATTERN
SCALE 4:1

SUPSD BY	CONTACT FINISH	CONTACT MAT'L	HOUSING MATERIAL	PART NO.
SUPSD BY 390262-5	TINNED	PHOS.BRZ. .006 THK	GLASS-FILLED THERMOPLASTIC, 94V-O, BLACK	2-640379-4
		PHOS.BRZ. .006 THK	GLASS-FILLED THERMOPLASTIC, 94V-O, BLACK	2-640379-3
		BE.CU. .006 THK	GLASS-FILLED THERMOPLASTIC, 94V-O, BLACK	2-640379-2
SUPSD BY 390262-5	TINNED	BE.CU. .006 THK	GLASS-FILLED THERMOPLASTIC, 94V-O, BLACK	2-640379-1

THIS DRAWING IS A CONTROLLED DOCUMENT.		DATE: 20FEB97	AMP Tyco Electronics Corporation Harrisburg, PA 17105	
DIMENSIONS: INCHES		DRW: M.CYRUS	SOCKET ASSY, DIP, 40 POS, DIPLOMATE DL	
TOLERANCES UNLESS OTHERWISE SPECIFIED:		CHK: R.MILLER	RESTRICTED TO	
0 PLC ± -	APVD: J.LAMBERT	DATE: 20 FEB 97	SIZE: A1	
1 PLC ± -	NAME: J.LAMBERT		CAGE CODE: 00779	
2 PLC ± -	PRODUCT SPEC: 108-1066		DRAWING NO: 640379	
3 PLC ± .005	APPLICATION SPEC: 114-1049		SCALE: 5:1	
4 PLC ± -	WEIGHT: -		SHEET 1 OF 1	
ANGLES ± -	CUSTOMER DRAWING		REV: AB	