



Chipsmall Limited consists of a professional team with an average of over 10 year of expertise in the distribution of electronic components. Based in Hongkong, we have already established firm and mutual-benefit business relationships with customers from,Europe,America and south Asia,supplying obsolete and hard-to-find components to meet their specific needs.

With the principle of “Quality Parts,Customers Priority,Honest Operation,and Considerate Service”,our business mainly focus on the distribution of electronic components. Line cards we deal with include Microchip,ALPS,ROHM,Xilinx,Pulse,ON,Everlight and Freescale. Main products comprise IC,Modules,Potentiometer,IC Socket,Relay,Connector.Our parts cover such applications as commercial,industrial, and automotives areas.

We are looking forward to setting up business relationship with you and hope to provide you with the best service and solution. Let us make a better world for our industry!



Contact us

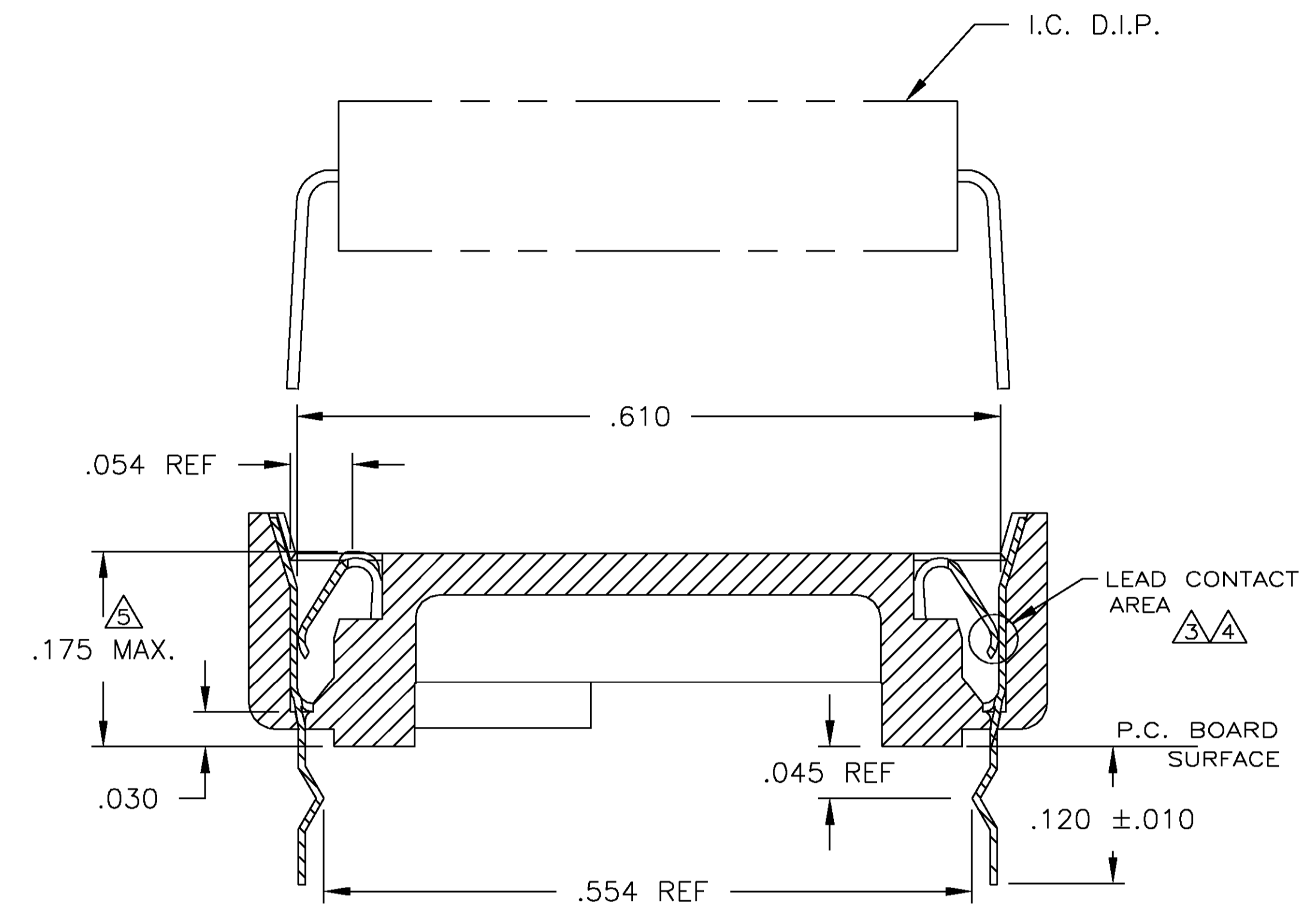
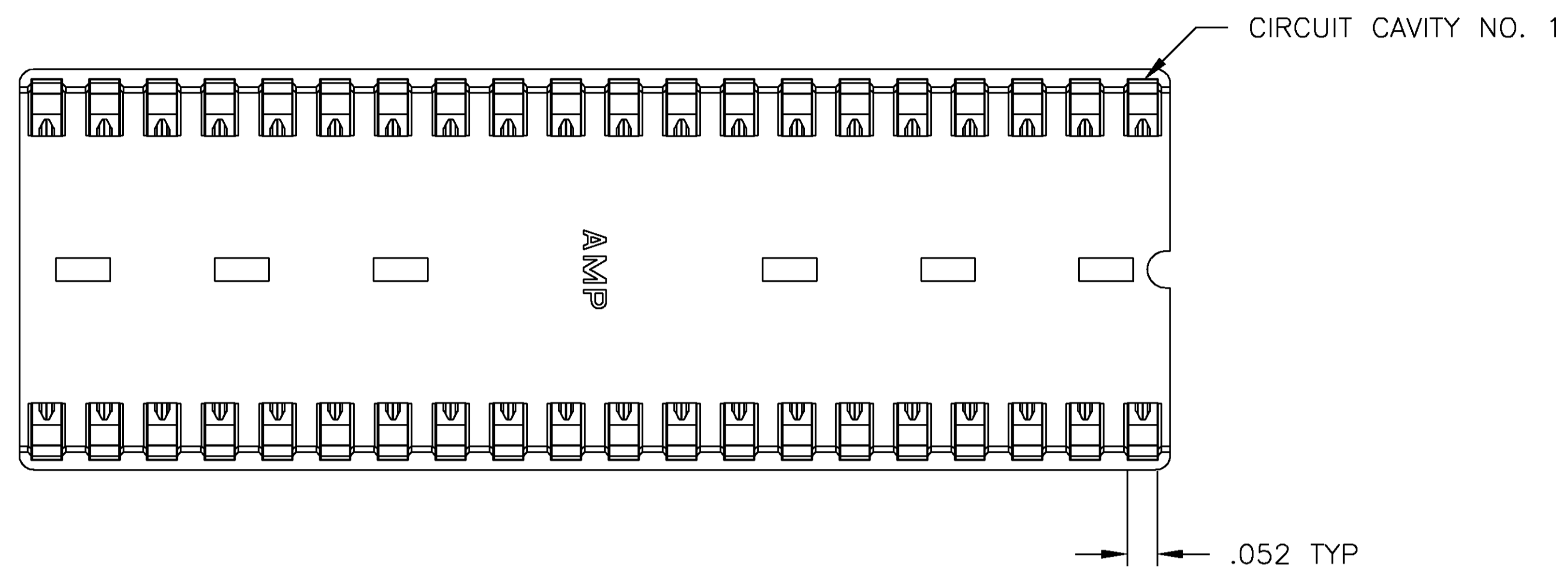
Tel: +86-755-8981 8866 Fax: +86-755-8427 6832

Email & Skype: info@chipsmall.com Web: www.chipsmall.com

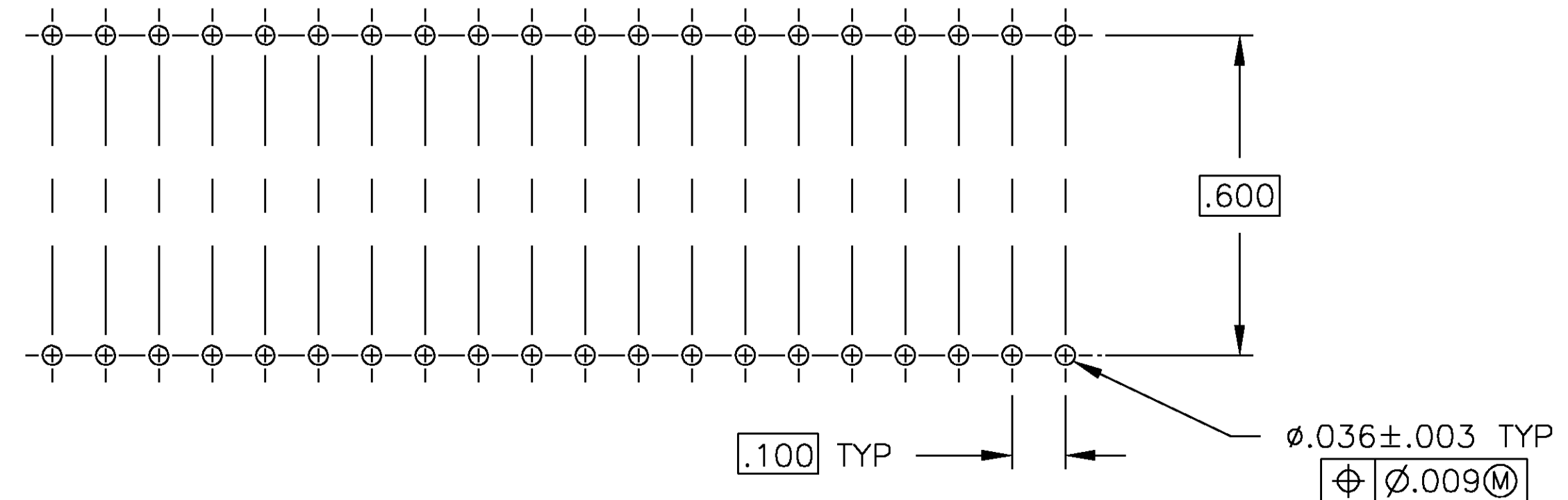
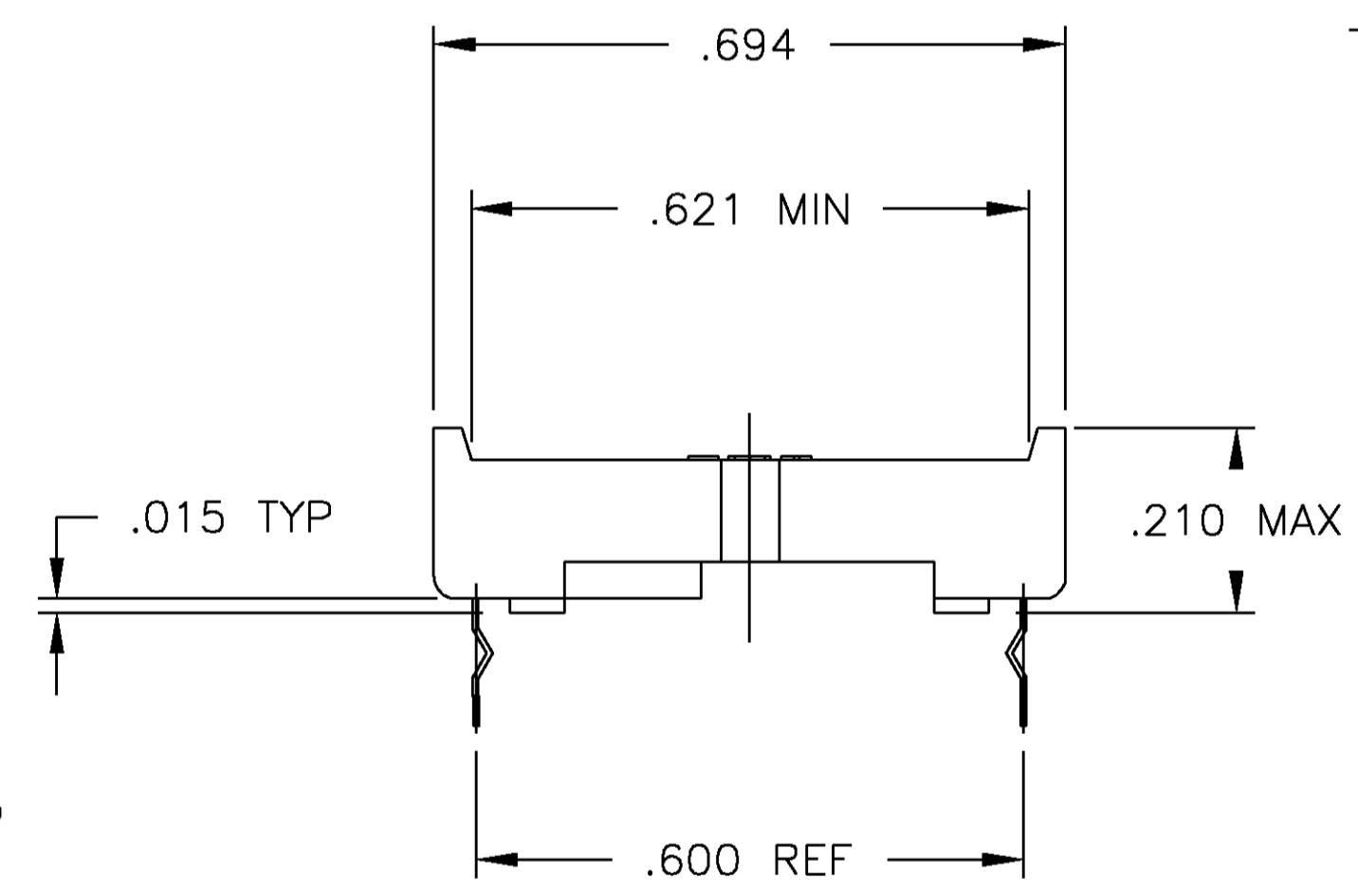
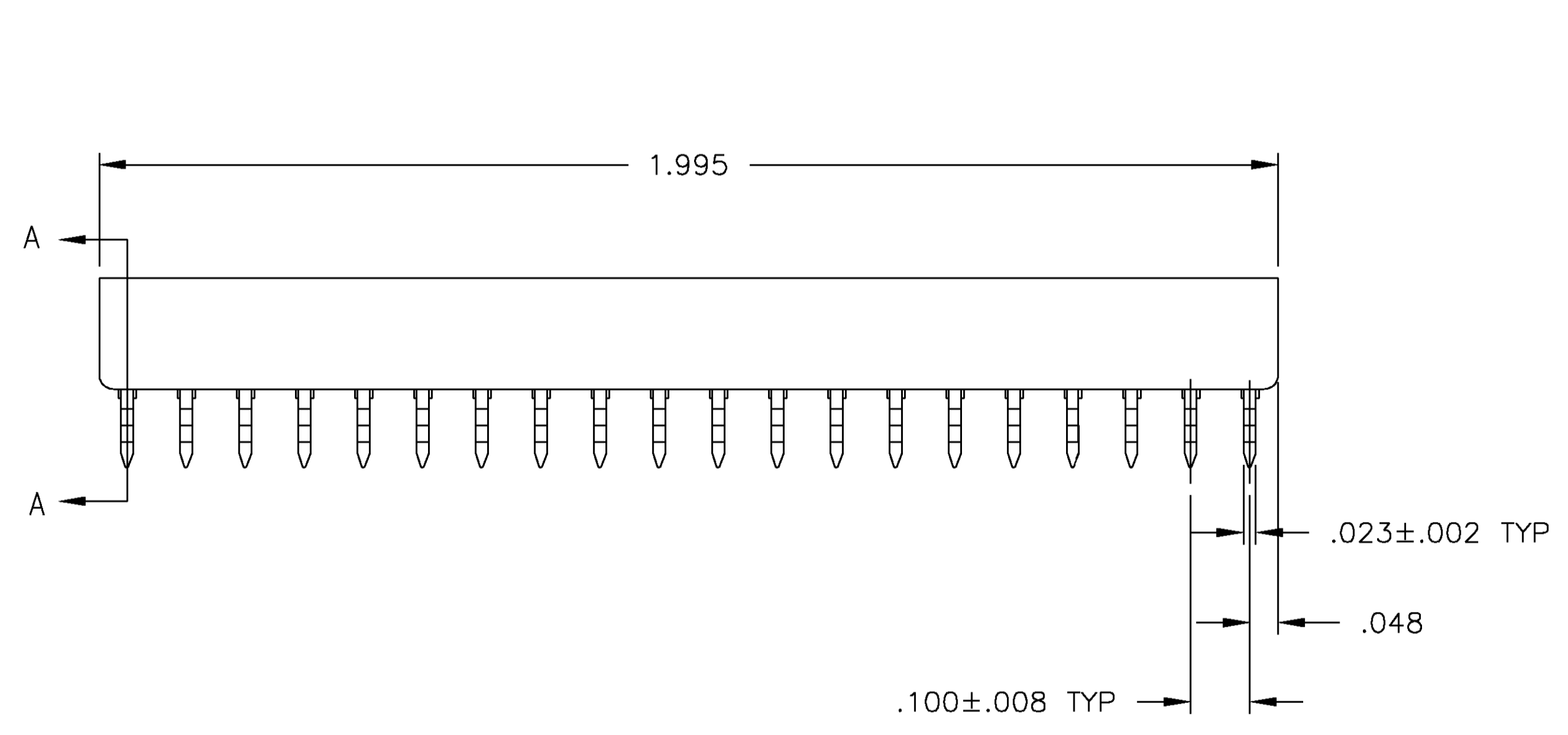
Address: A1208, Overseas Decoration Building, #122 Zhenhua RD., Futian, Shenzhen, China



1. RECEPTACLE ACCEPTS A .008-.014 THICK I.C. LEAD.
2. TUBE LOADED.
- ③ TWO .000030 MIN THK. GOLD STRIPES IN CONTACT AREA WITH TIN-LEAD (93/7) ON CONTACT LEGS, BALANCE OF CONTACT NICKEL PLATED.
- ④ TWO .000015 MIN THK. GOLD STRIPES IN CONTACT AREA WITH TIN-LEAD (93/7) ON CONTACT LEGS, BALANCE OF CONTACT NICKEL PLATED.
- ⑤ MAXIMUM DIMENSION FOR I.C. SEATING PLANE.



SECTION A-A
SCALE 10:1



RECOMMENDED MOUNTING HOLE PATTERN
SCALE 4:1

④	PHOS.BRZ. .006 THK	GLASS-FILLED THERMOPLASTIC, 94V-O, BLACK	2-641268-4
OBSOLETE	TINNED	PHOS.BRZ. .006 THK	GLASS-FILLED THERMOPLASTIC, 94V-O, BLACK
OBSOLETE	③	BE.CU. .006 THK	GLASS-FILLED THERMOPLASTIC, 94V-O, BLACK
	TINNED	BE.CU. .006 THK	GLASS-FILLED THERMOPLASTIC, 94V-O, BLACK
	CONTACT FINISH	CONTACT MAT'L	HOUSING MATERIAL
			PART NO.

THIS DRAWING IS A CONTROLLED DOCUMENT.		DWG	R BROWN	09JAN01
		CHK	H WYNKOOP	25AUG00
		APP'D	H WYNKOOP	25AUG00
		NAME	Tyco Electronics Corporation	
		PRODUCT SPEC	Harrisburg, PA 17105	
		APPLICATION SPEC	SOCKET ASSY, DIP, RET LEG,	
		SIZE	40 POS, DIPLOMATE™ DL	
		WEIGHT	-	
		CAGE CODE	-	
		DRAWING NO	-	
		RESTRICTED TO	-	
		SCALE	5:1	
		SHEET	1 OF 1	
		REV	P	