



Chipsmall Limited consists of a professional team with an average of over 10 year of expertise in the distribution of electronic components. Based in Hongkong, we have already established firm and mutual-benefit business relationships with customers from,Europe,America and south Asia,supplying obsolete and hard-to-find components to meet their specific needs.

With the principle of “Quality Parts,Customers Priority,Honest Operation,and Considerate Service”,our business mainly focus on the distribution of electronic components. Line cards we deal with include Microchip,ALPS,ROHM,Xilinx,Pulse,ON,Everlight and Freescale. Main products comprise IC,Modules,Potentiometer,IC Socket,Relay,Connector.Our parts cover such applications as commercial,industrial, and automotives areas.

We are looking forward to setting up business relationship with you and hope to provide you with the best service and solution. Let us make a better world for our industry!



Contact us

Tel: +86-755-8981 8866 Fax: +86-755-8427 6832

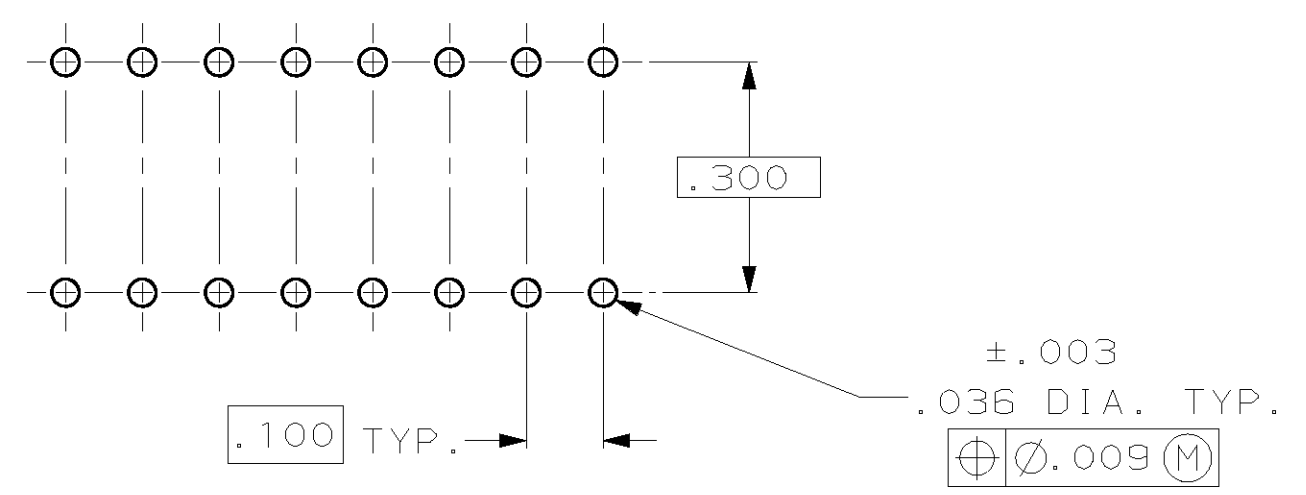
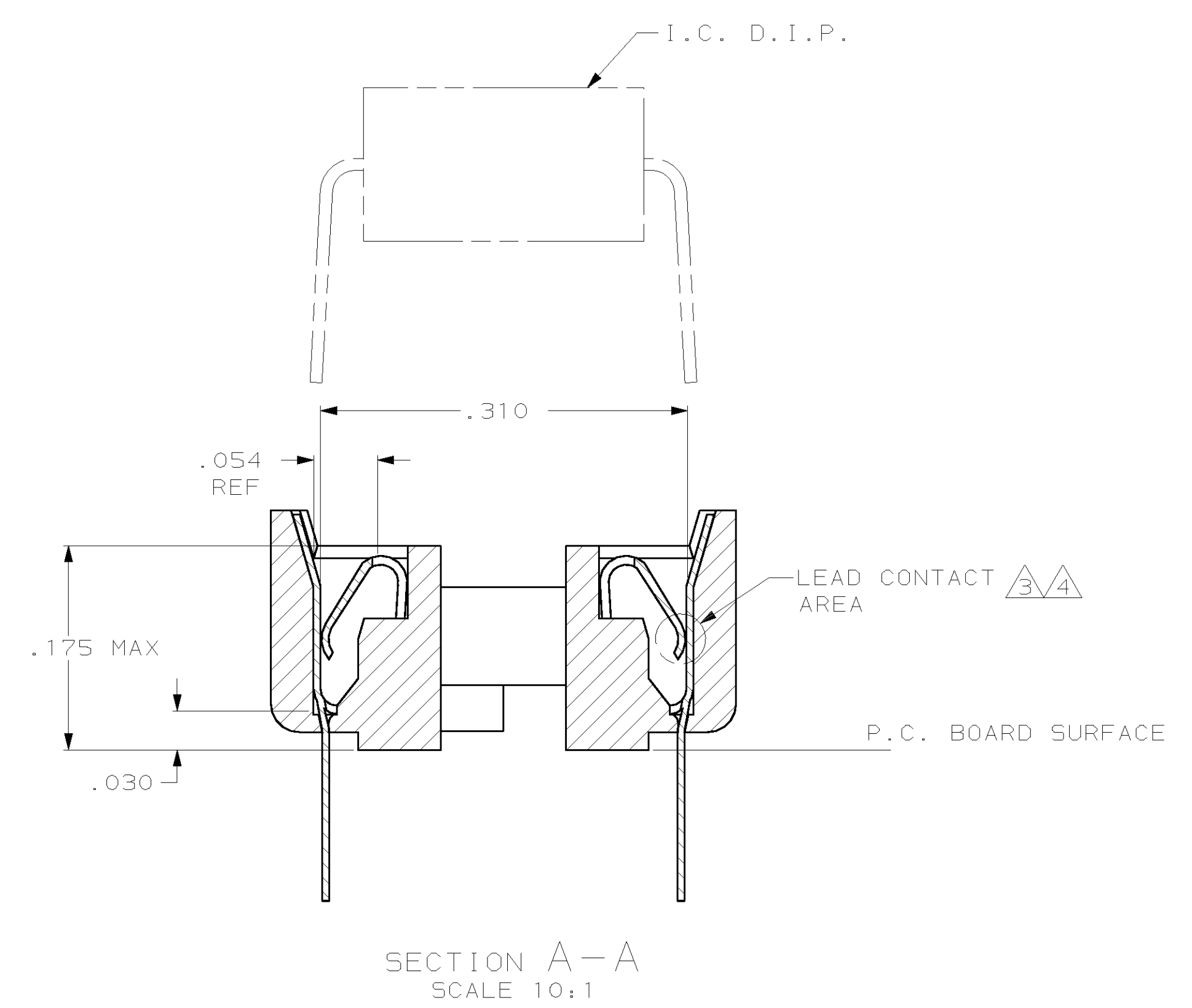
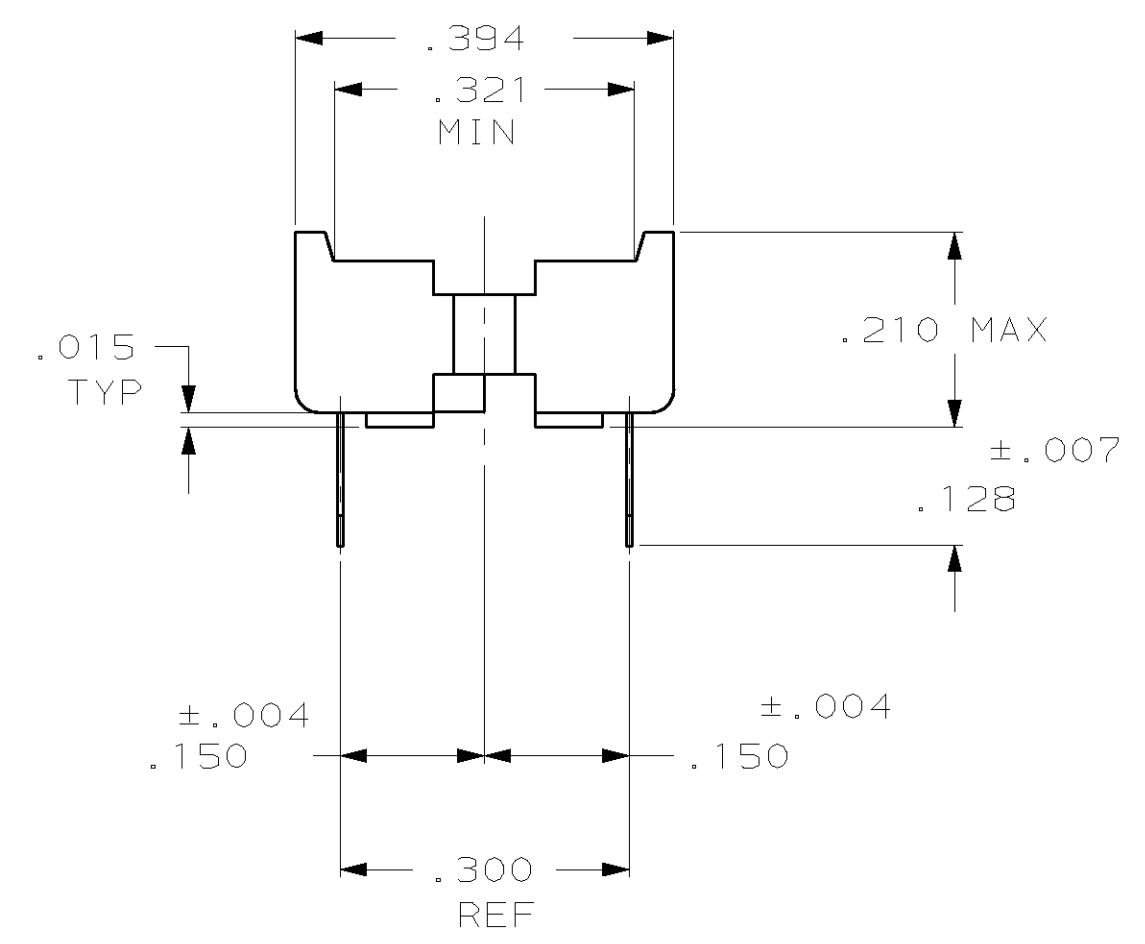
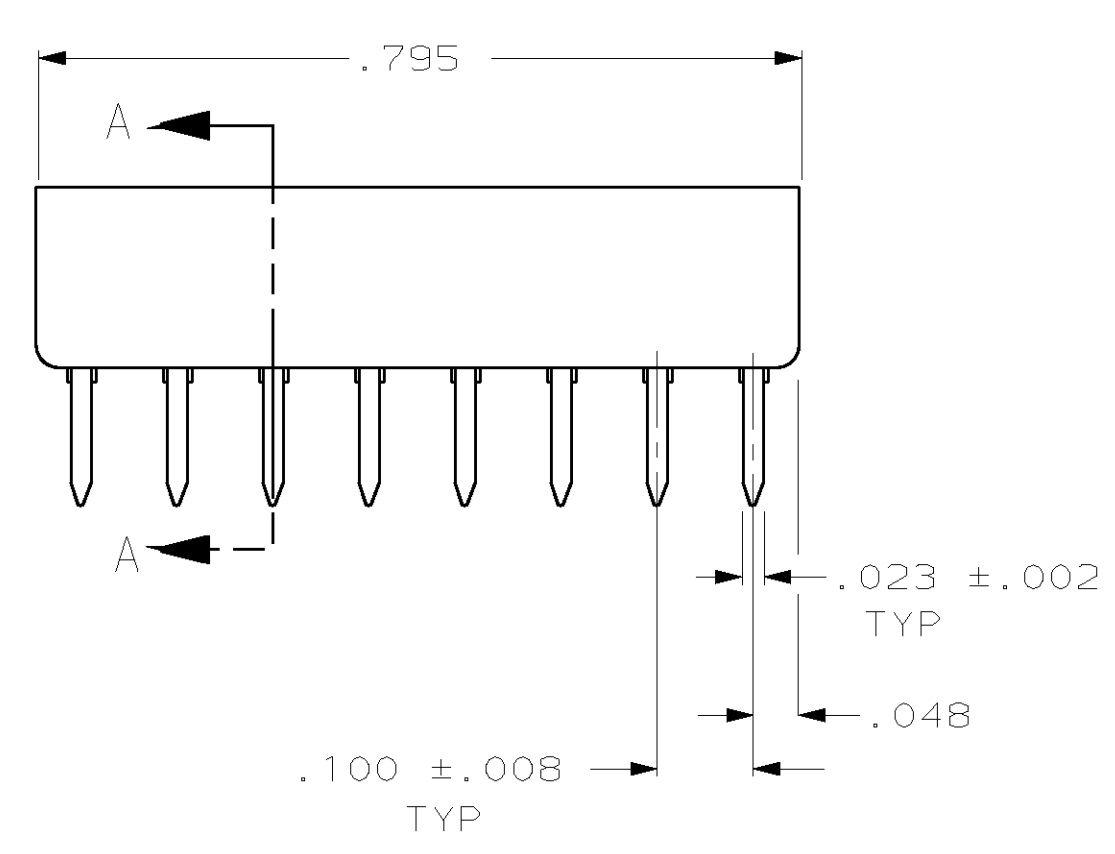
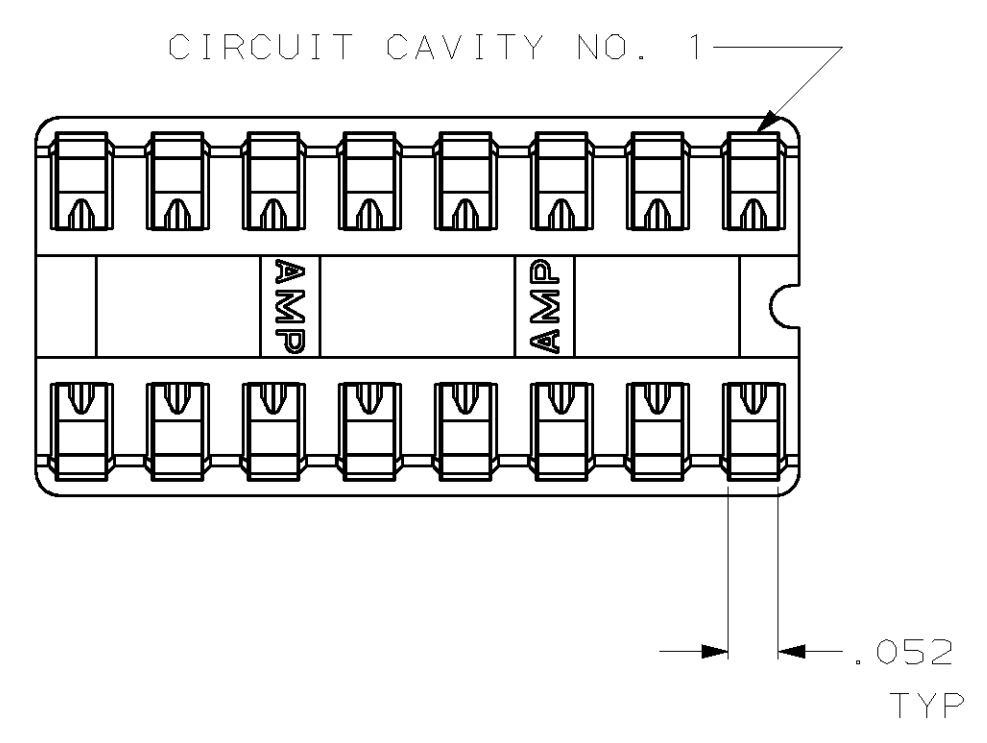
Email & Skype: info@chipsmall.com Web: www.chipsmall.com

Address: A1208, Overseas Decoration Building, #122 Zhenhua RD., Futian, Shenzhen, China



LOC		DIST		REVISIONS			
AD	0	TR	LTR	DESCRIPTION	DATE	DWN	APVD
		AE	REV PER	063C-0104-01	25SEP01	RB	JO

- RECEPTACLE ACCEPTS A .008-.014 THICK I.C. LEAD.
- TUBE LOADED FOR AUTOMATIC INSERTION.
- TWO .000030 MIN THK. GOLD STRIPES IN CONTACT AREA WITH TIN-LEAD (93/7) ON CONTACT LEGS, BALANCE OF CONTACT NICKEL PLATED.
- TWO .000015 MIN THK. GOLD STRIPES IN CONTACT AREA WITH TIN-LEAD (93/7) ON CONTACT LEGS, BALANCE OF CONTACT NICKEL PLATED.
- SEE RESTRICTED CUSTOMER DRAWING 3-641600-1.



RECOMMENDED MOUNTING HOLE PATTERN
SCALE 4:1

OBSOLETE	TINNED	PHOS.BRZ.	GLASS-FILLED THERMOPLASTIC, 94V-0, BLACK	2-641600-5
		PHOS.BRZ.	GLASS-FILLED THERMOPLASTIC, 94V-0, BLACK	2-641600-4
SUPSD BY 390261-4	TINNED	PHOS.BRZ.	GLASS-FILLED THERMOPLASTIC, 94V-0, BLACK	2-641600-3
		BE.CU.	GLASS-FILLED THERMOPLASTIC, 94V-0, BLACK	2-641600-2
SUPSD BY 390261-4	TINNED	BE.CU.	GLASS-FILLED THERMOPLASTIC, 94V-0, BLACK	2-641600-1
	CONTACT FINISH	CONTACT MAT'L	HOUSING MATERIAL	PART NO.

THIS DRAWING IS A CONTROLLED DOCUMENT.

DIMENSIONS INCHES	TOLERANCES UNLESS OTHERWISE SPECIFIED.	DWN M. CYRUS 8-17-87	AMP Incorporated Harrisburg, PA 17105-3608
0 PLC ±-	1 PLC ±-	CHK R. MILLER 8-31-87	
2 PLC ±-.005	3 PLC ±-.005	APVD J. LAMBERT 9-4-87	
4 PLC ±-.005	ANGLES 40° 30'	NAME	SOCKET ASSY, DIP, LADDER, 16 POS, DIPLOMATE™ DL
MATERIAL SEE TABLE	FINISH SEE TABLE	PRODUCT SPEC	108-1066
		APPLICATION SPEC	114-1049
		WEIGHT	A1 00779
		CUSTOMER DRAWING	SCALE 5:1 SHEET 1 OF 1 REV AE