



Chipsmall Limited consists of a professional team with an average of over 10 year of expertise in the distribution of electronic components. Based in Hongkong, we have already established firm and mutual-benefit business relationships with customers from,Europe,America and south Asia,supplying obsolete and hard-to-find components to meet their specific needs.

With the principle of “Quality Parts,Customers Priority,Honest Operation,and Considerate Service”,our business mainly focus on the distribution of electronic components. Line cards we deal with include Microchip,ALPS,ROHM,Xilinx,Pulse,ON,Everlight and Freescale. Main products comprise IC,Modules,Potentiometer,IC Socket,Relay,Connector.Our parts cover such applications as commercial,industrial, and automotives areas.

We are looking forward to setting up business relationship with you and hope to provide you with the best service and solution. Let us make a better world for our industry!



## Contact us

Tel: +86-755-8981 8866 Fax: +86-755-8427 6832

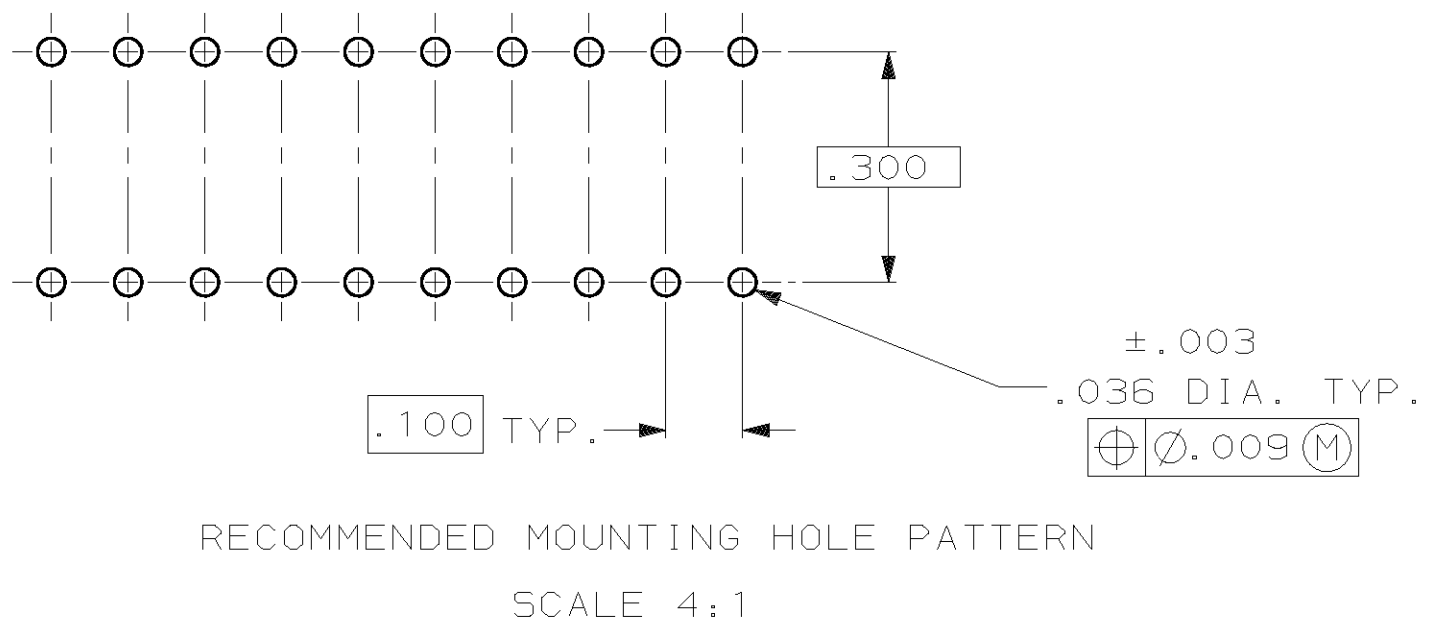
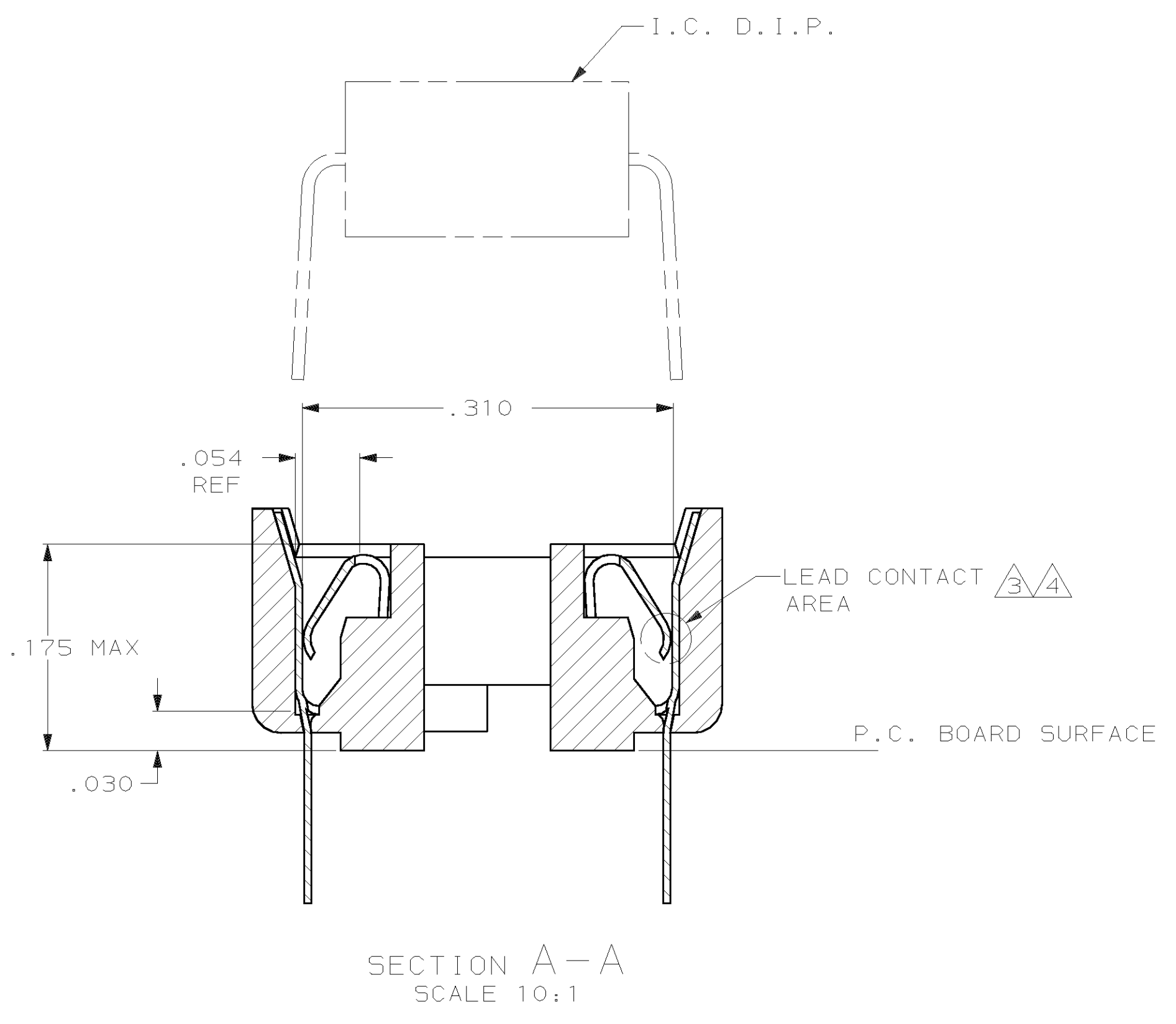
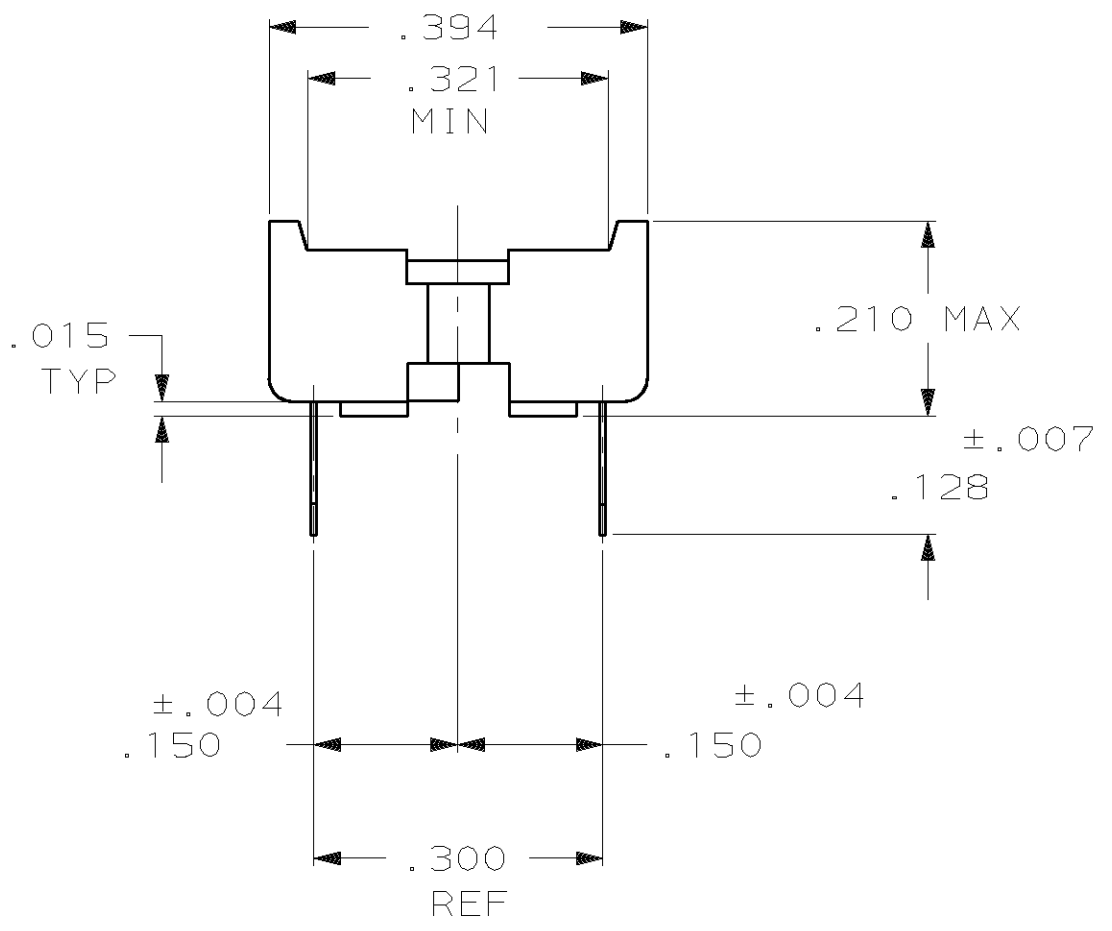
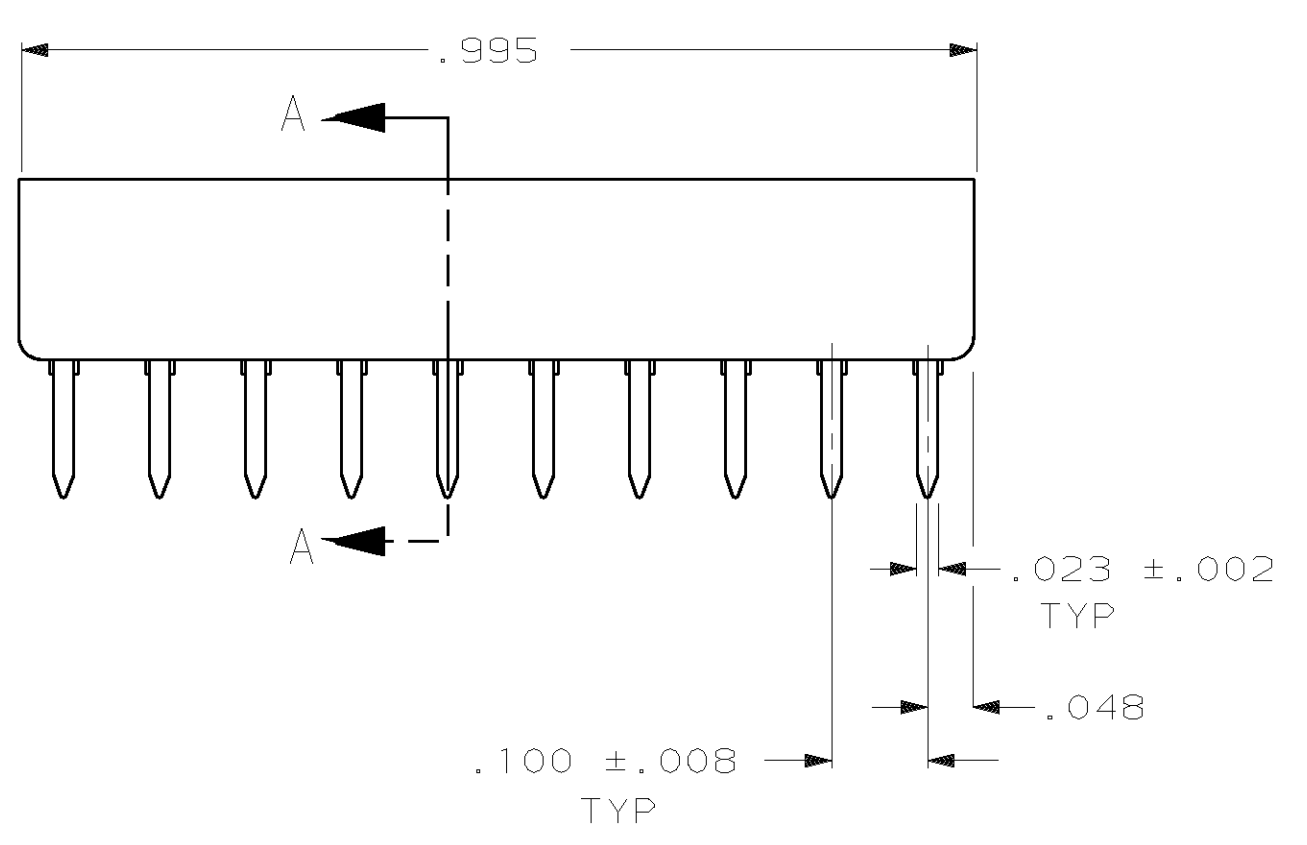
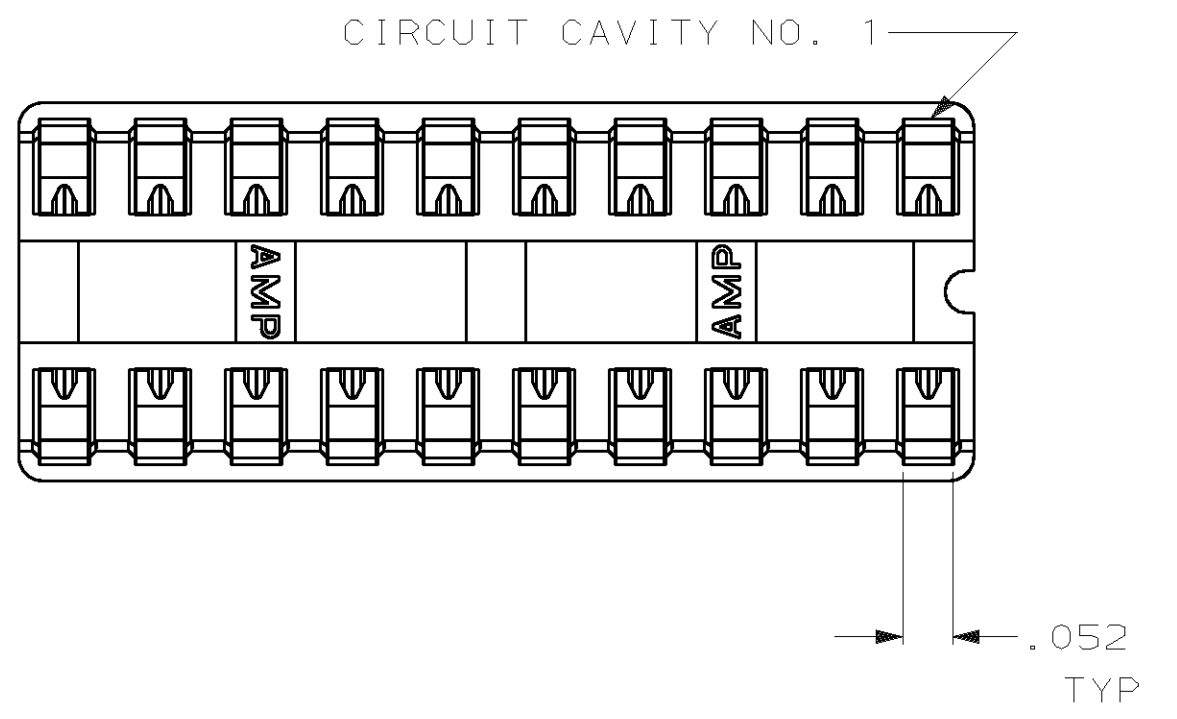
Email & Skype: info@chipsmall.com Web: www.chipsmall.com

Address: A1208, Overseas Decoration Building, #122 Zhenhua RD., Futian, Shenzhen, China



LOC		DIST		P		F		ZONE		LTR		DESCRIPTION		DATE	APPD	
AD	0												REV PER	OG3C-0104-01	25SEP01	JO

- RECEPTACLE ACCEPTS A .008-.014 THICK I.C. LEAD.
- TUBE LOADED FOR AUTOMATIC INSERTION.
- TWO .000030 MIN THK. GOLD STRIPES IN CONTACT AREA WITH TIN-LEAD (93/7) ON CONTACT LEGS, BALANCE OF CONTACT NICKEL PLATED.
- TWO .000015 MIN THK. GOLD STRIPES IN CONTACT AREA WITH TIN-LEAD (93/7) ON CONTACT LEGS, BALANCE OF CONTACT NICKEL PLATED.
- SPECIAL PACKAGING.



SUPSD BY 390261-6	TINNED	PHOS.BRZ. .006 THK	GLASS-FILLED THERMOPLASTIC, 94V-0, BLACK	5-641602-3
OBSOLETE	TINNED	PHOS.BRZ. .006 THK	GLASS-FILLED THERMOPLASTIC, 94V-0, BLACK	2-641602-5
		PHOS.BRZ. .006 THK	GLASS-FILLED THERMOPLASTIC, 94V-0, BLACK	2-641602-4
SUPSD BY 390261-6	TINNED	PHOS.BRZ. .006 THK	GLASS-FILLED THERMOPLASTIC, 94V-0, BLACK	2-641602-3
		BE.CU. .006 THK	GLASS-FILLED THERMOPLASTIC, 94V-0, BLACK	2-641602-2
SUPSD BY 390261-6	TINNED	BE.CU. .006 THK	GLASS-FILLED THERMOPLASTIC, 94V-0, BLACK	2-641602-1
	CONTACT FINISH	CONTACT MAT'L	HOUSING MATERIAL	PART NO.

UNLESS OTHERWISE SPECIFIED DIMENSIONS ARE IN INCHES TOLERANCES ON :		DR		AMP INCORPORATED	
2 PL DEC ± .005	8-17-87	M. CYRUS		Harrisburg, Pa. 17105	
3 PL DEC ± .005	8-31-87	R. MILLER		NAME	
ANGLES ± 0°30'	9-4-87	J. LAMBERT		SOCKET ASSY, DIP, LADDER, 20 POS, DIPLOMATE DL	
MATERIAL	9-4-87	J. GRAY		SIZE	
SEE TABLE	PRODUCT SPEC	108-1066		FSCM NO	
FINISH	APPLICATION SPEC	114-1049		DRAWING NO	
SEE TABLE	WEIGHT	-		D 00779	
				641602	
				SCALE 5:1	
				SHEET 1 OF 1	