



Chipsmall Limited consists of a professional team with an average of over 10 year of expertise in the distribution of electronic components. Based in Hongkong, we have already established firm and mutual-benefit business relationships with customers from,Europe,America and south Asia,supplying obsolete and hard-to-find components to meet their specific needs.

With the principle of “Quality Parts,Customers Priority,Honest Operation,and Considerate Service”,our business mainly focus on the distribution of electronic components. Line cards we deal with include Microchip,ALPS,ROHM,Xilinx,Pulse,ON,Everlight and Freescale. Main products comprise IC,Modules,Potentiometer,IC Socket,Relay,Connector.Our parts cover such applications as commercial,industrial, and automotives areas.

We are looking forward to setting up business relationship with you and hope to provide you with the best service and solution. Let us make a better world for our industry!



Contact us

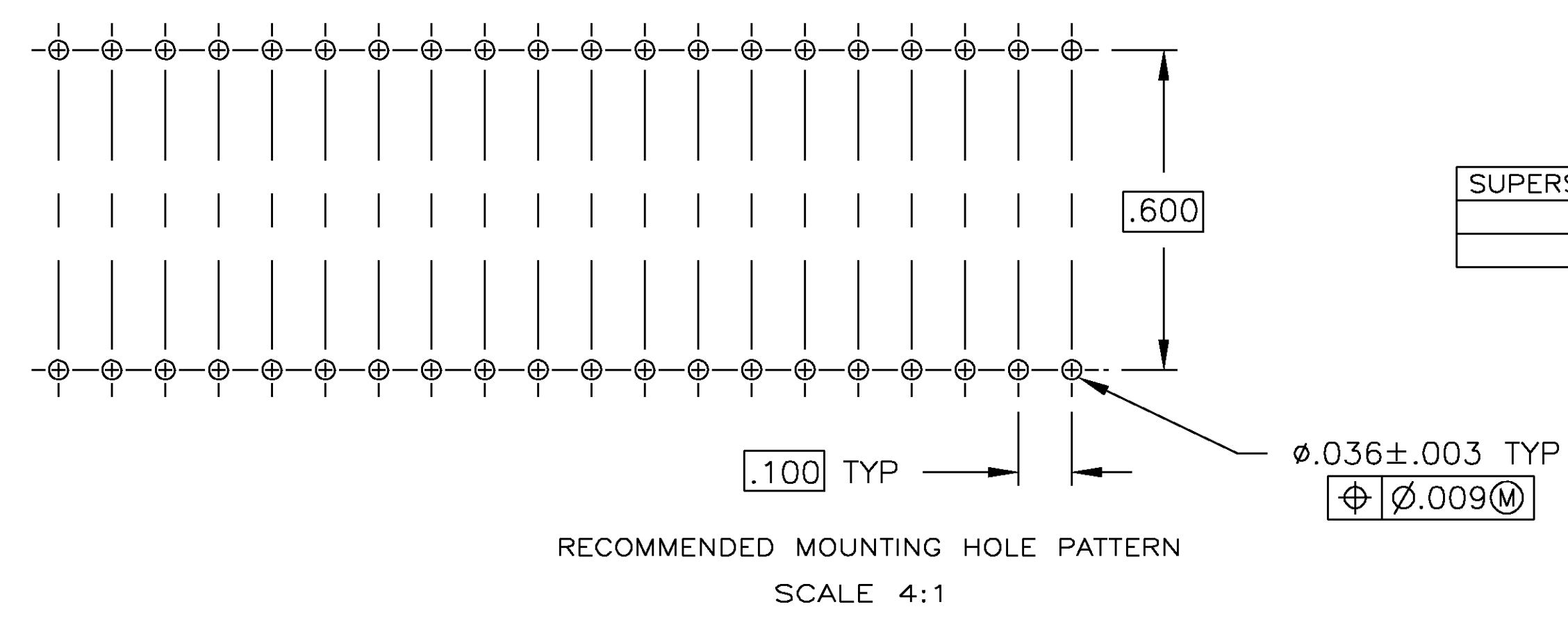
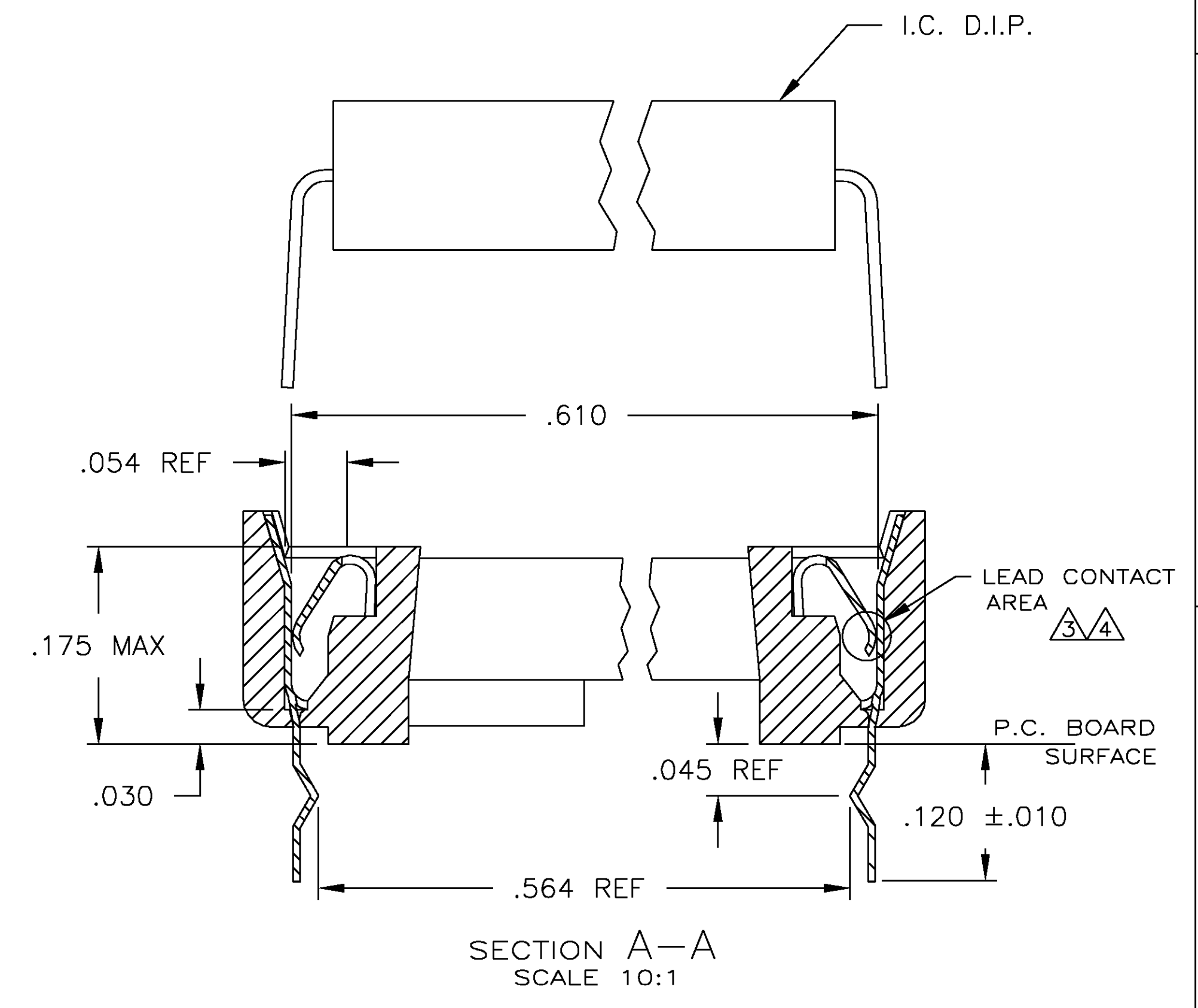
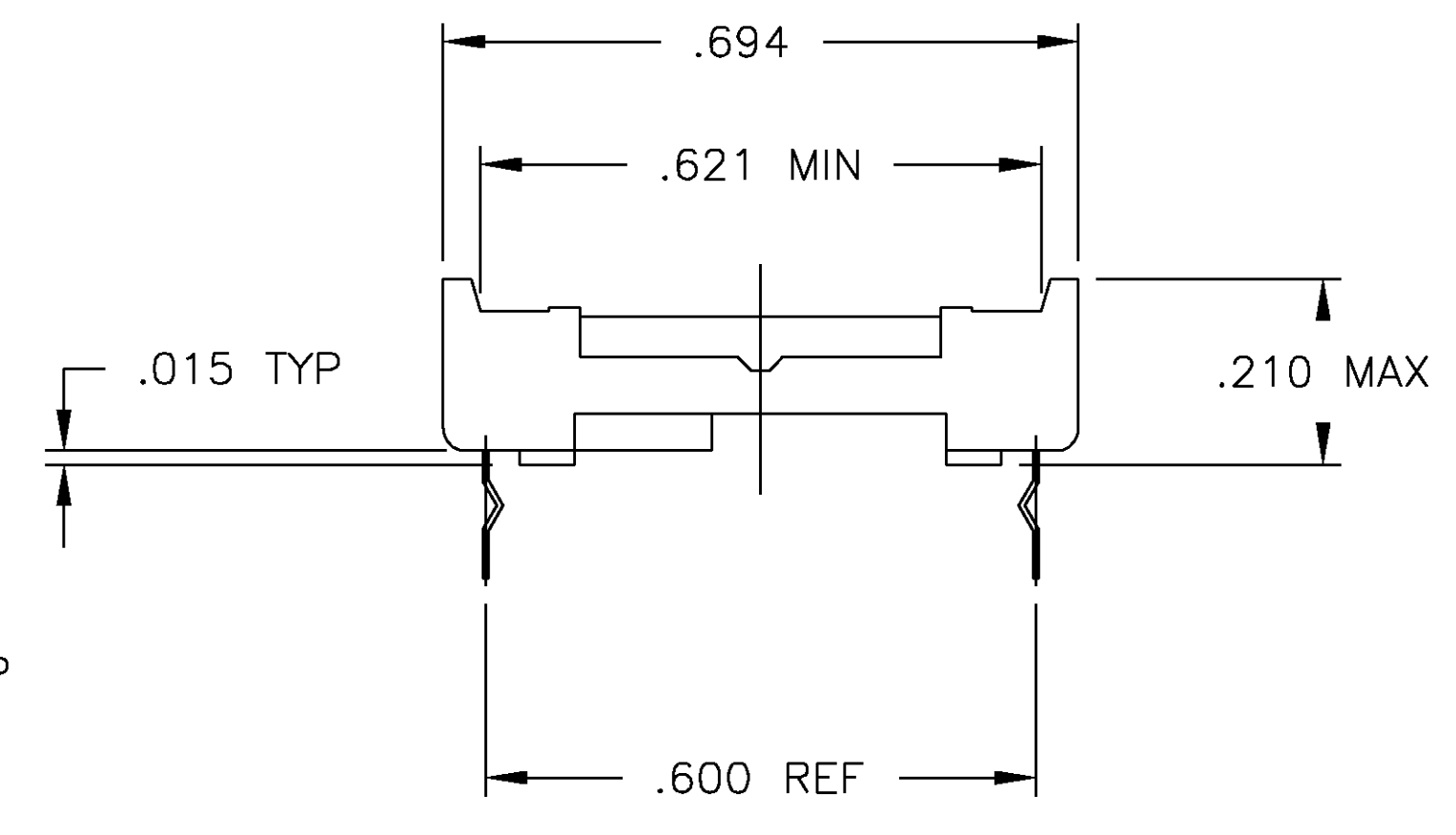
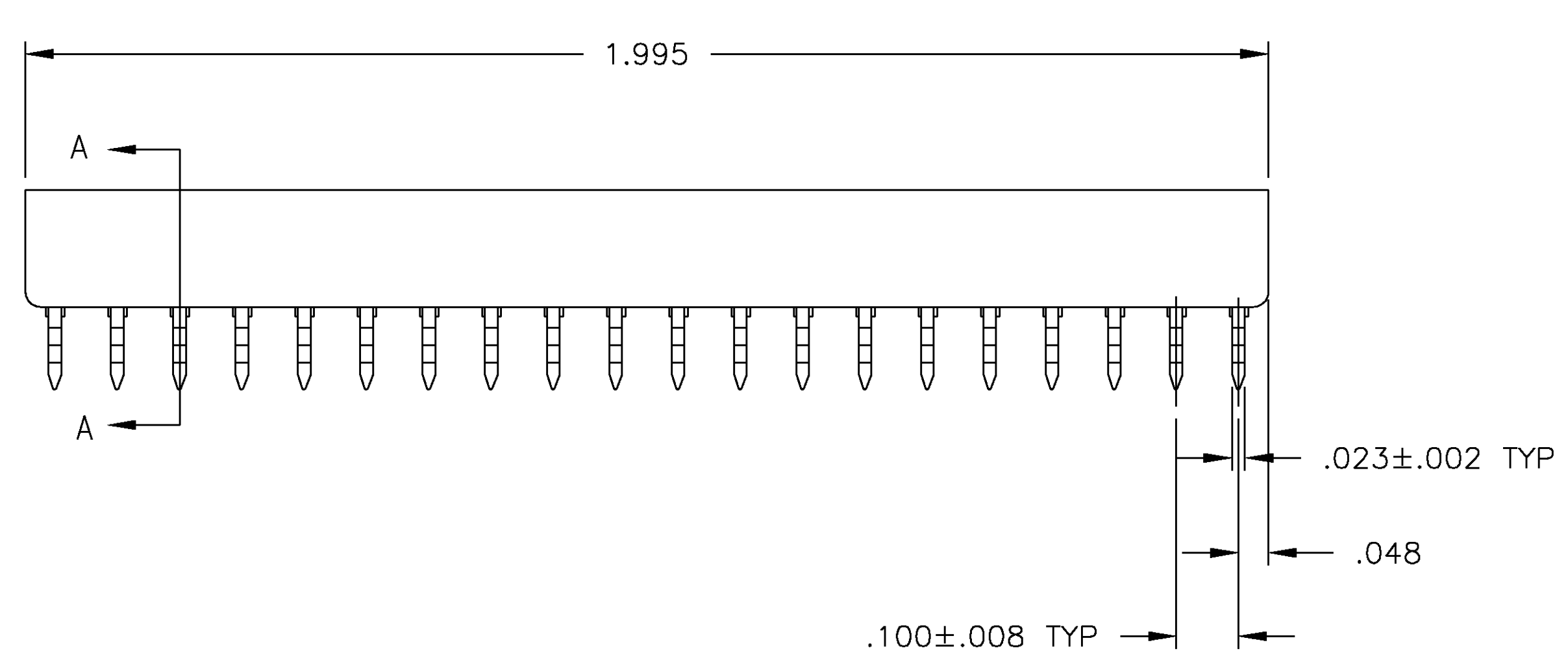
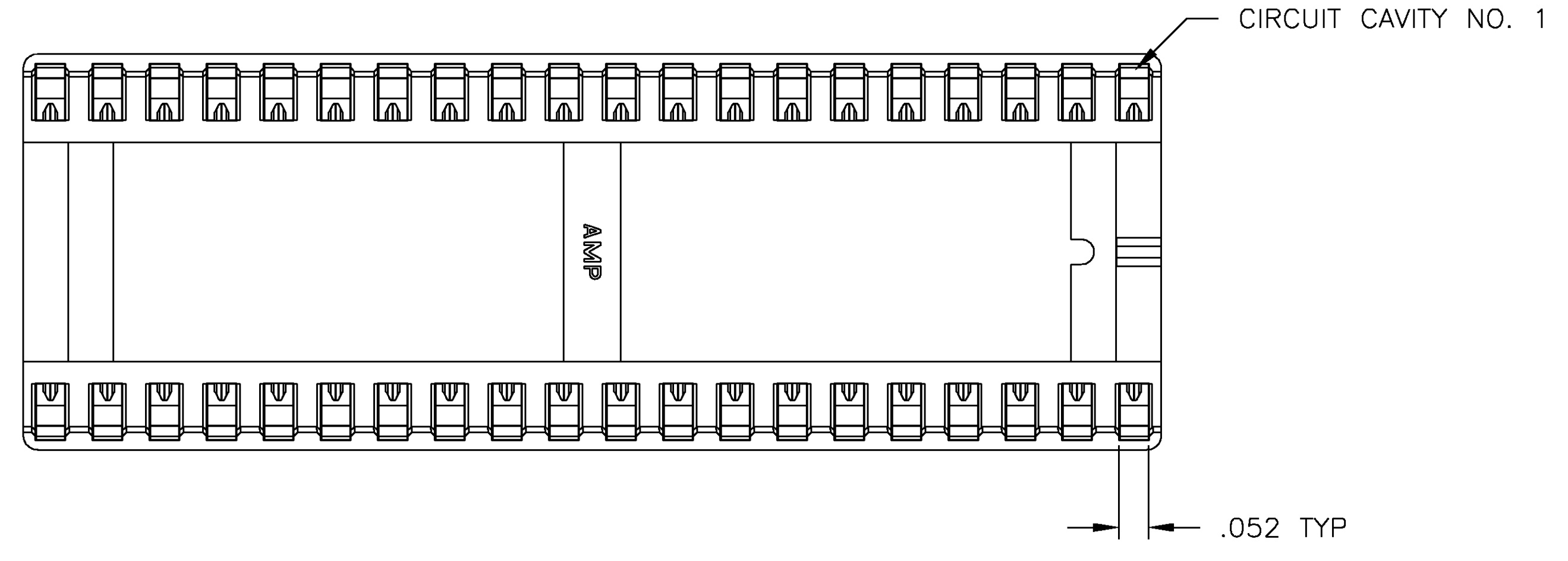
Tel: +86-755-8981 8866 Fax: +86-755-8427 6832

Email & Skype: info@chipsmall.com Web: www.chipsmall.com

Address: A1208, Overseas Decoration Building, #122 Zhenhua RD., Futian, Shenzhen, China



- RECEPTACLE ACCEPTS A .008-.014 THICK I.C. LEAD.
 - TUBE LOADED FOR AUTOMATIC INSERTION.
- ⚠ TWO .000030 MIN THK. GOLD STRIPES IN CONTACT AREA WITH TIN-LEAD (93/7) ON CONTACT LEGS, BALANCE OF CONTACT NICKEL PLATED.
 - ⚠ TWO .000015 MIN THK. GOLD STRIPES IN CONTACT AREA WITH TIN-LEAD (93/7) ON CONTACT LEGS, BALANCE OF CONTACT NICKEL PLATED.



| | | | | |
|--|------------------|----------------------|--|------------|
| SUPERSEDED BY 2-641616-3 | TINNED | PHOS.BRZ. .006 THK | GLASS-FILLED THERMOPLASTIC, 94V-O, BLACK | 2-641616-5 |
| OBSOLETE | ⚠ | PHOS.BRZ. .006 THK | GLASS-FILLED THERMOPLASTIC, 94V-O, BLACK | 2-641616-4 |
| OBSOLETE | TINNED | PHOS.BRZ. .006 THK | GLASS-FILLED THERMOPLASTIC, 94V-O, BLACK | 2-641616-3 |
| | ⚠ | BE.CU. .006 THK | GLASS-FILLED THERMOPLASTIC, 94V-O, BLACK | 2-641616-2 |
| | TINNED | BE.CU. .006 THK | GLASS-FILLED THERMOPLASTIC, 94V-O, BLACK | 2-641616-1 |
| | CONTACT FINISH | CONTACT MAT'L | HOUSING MATERIAL | PART NO. |
| THIS DRAWING IS A CONTROLLED DOCUMENT. | | DWR R BROWN 09JAN01 | Tyco Electronics Corporation Harrisburg, PA 17105 | |
| DIMENSIONS: INCHES | | OK H WYNKOOP 29AUG00 | AMP H WYNKOOP 29AUG00 | |
| TOLERANCES UNLESS OTHERWISE SPECIFIED: | | NAME | SOCKET ASSY, DIP, LADDER, RET LEG, 40 POS, DIPLOMATE™ DL | |
| 0 PLC ± - | | PRODUCT SPEC | 108-1066 | |
| 1 PLC ± - | | APPLICATION SPEC | 114-1049 | |
| 2 PLC ± - | | SIZE | A1 | |
| 3 PLC ± .005 | | CAGE CODE | 00779 | |
| 4 PLC ± - | | DRAWING NO | 641616 | |
| ANGLES ± - | | RESTRICTED TO | | |
| MATERIAL SEE TABLE | FINISH SEE TABLE | WEIGHT | - | |
| | | CUSTOMER DRAWING | SCALE 5:1 SHEET 1 OF 1 REV T | |