



Chipsmall Limited consists of a professional team with an average of over 10 year of expertise in the distribution of electronic components. Based in Hongkong, we have already established firm and mutual-benefit business relationships with customers from,Europe,America and south Asia,supplying obsolete and hard-to-find components to meet their specific needs.

With the principle of "Quality Parts,Customers Priority,Honest Operation,and Considerate Service",our business mainly focus on the distribution of electronic components. Line cards we deal with include Microchip,ALPS,ROHM,Xilinx,Pulse,ON,Everlight and Freescale. Main products comprise IC,Modules,Potentiometer,IC Socket,Relay,Connector.Our parts cover such applications as commercial,industrial, and automotives areas.

We are looking forward to setting up business relationship with you and hope to provide you with the best service and solution. Let us make a better world for our industry!



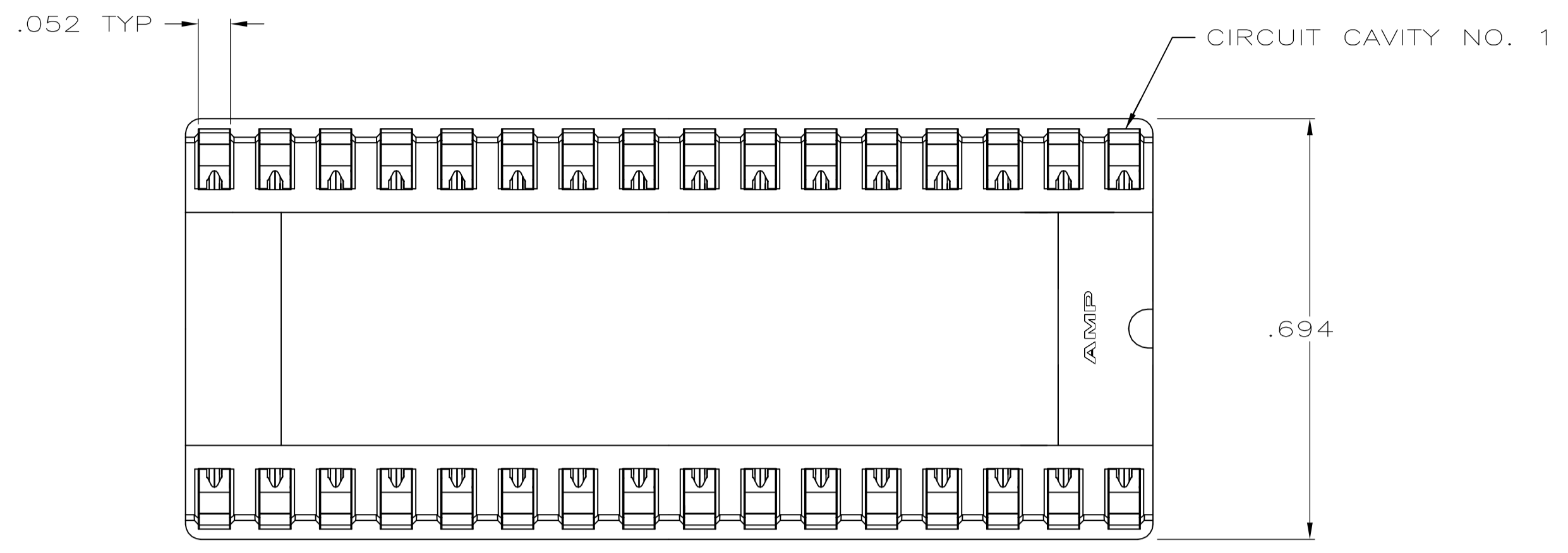
Contact us

Tel: +86-755-8981 8866 Fax: +86-755-8427 6832

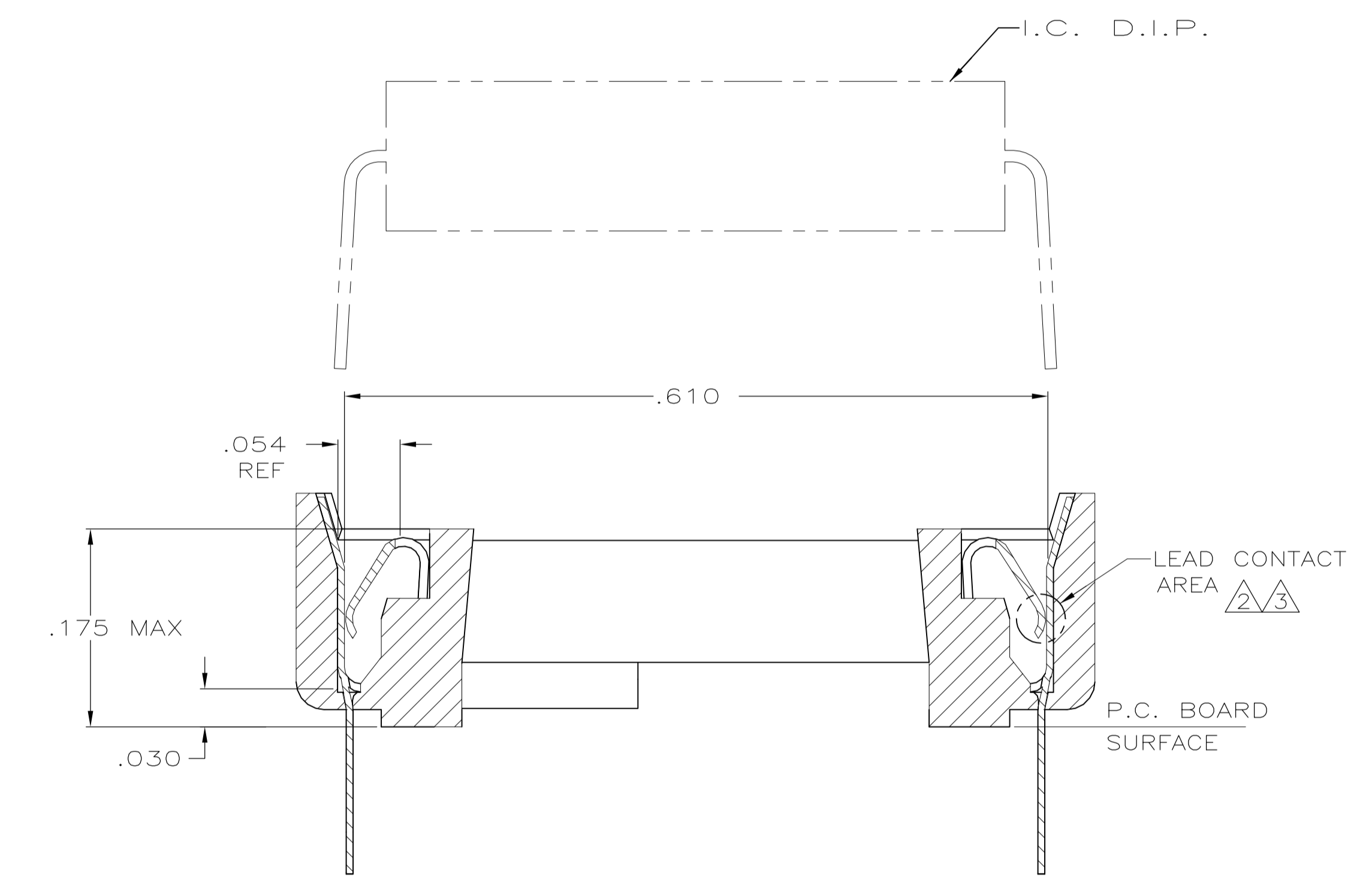
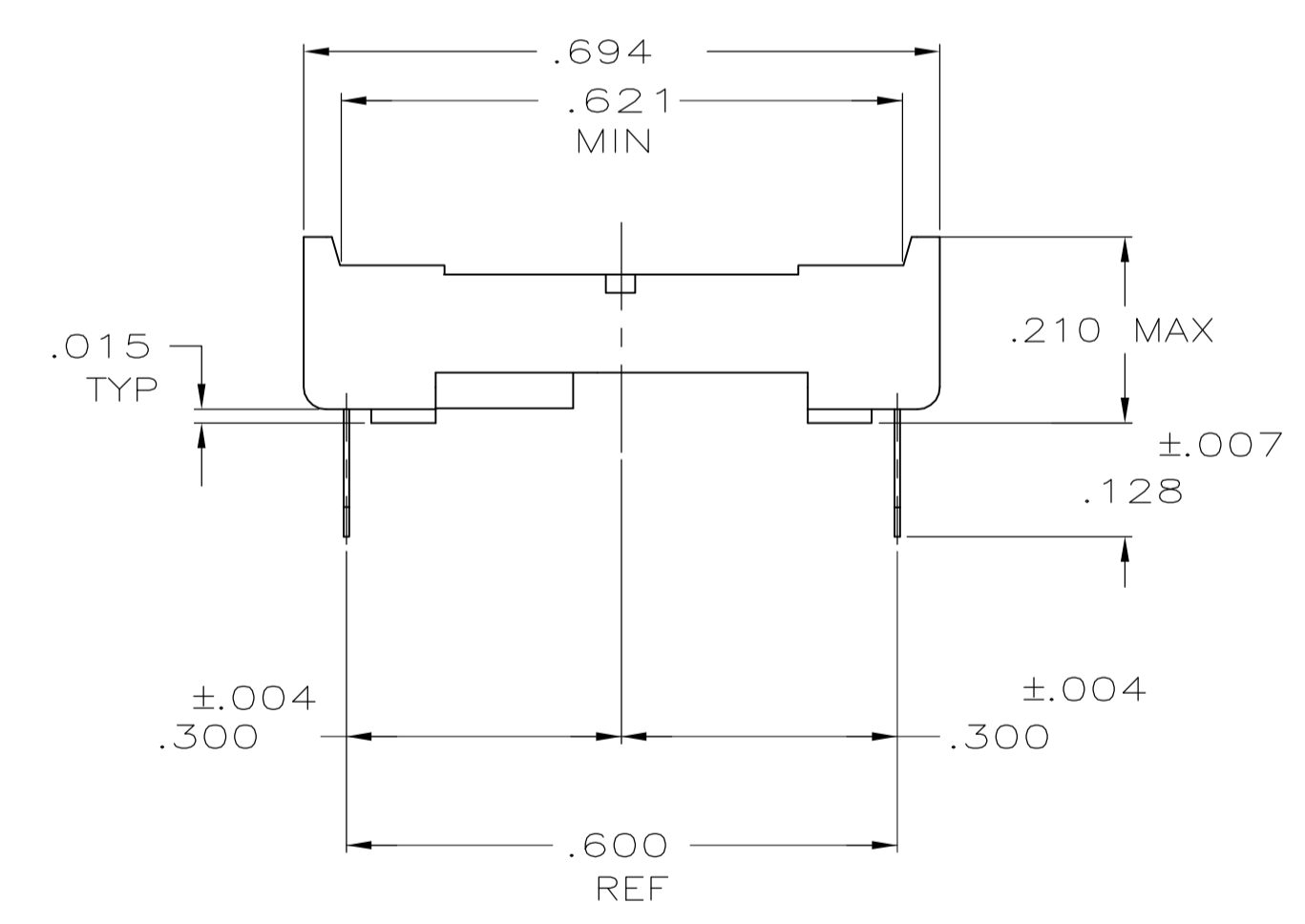
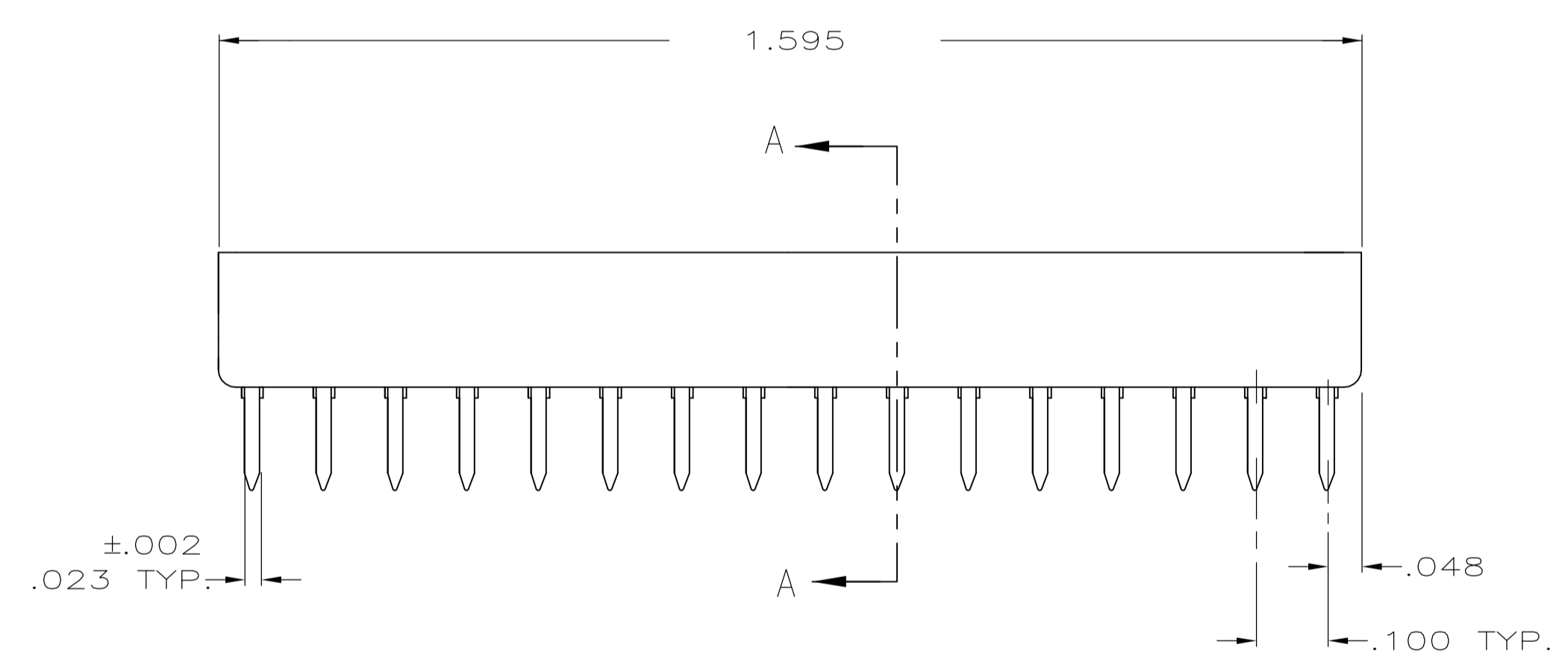
Email & Skype: info@chipsmall.com Web: www.chipsmall.com

Address: A1208, Overseas Decoration Building, #122 Zhenhua RD., Futian, Shenzhen, China

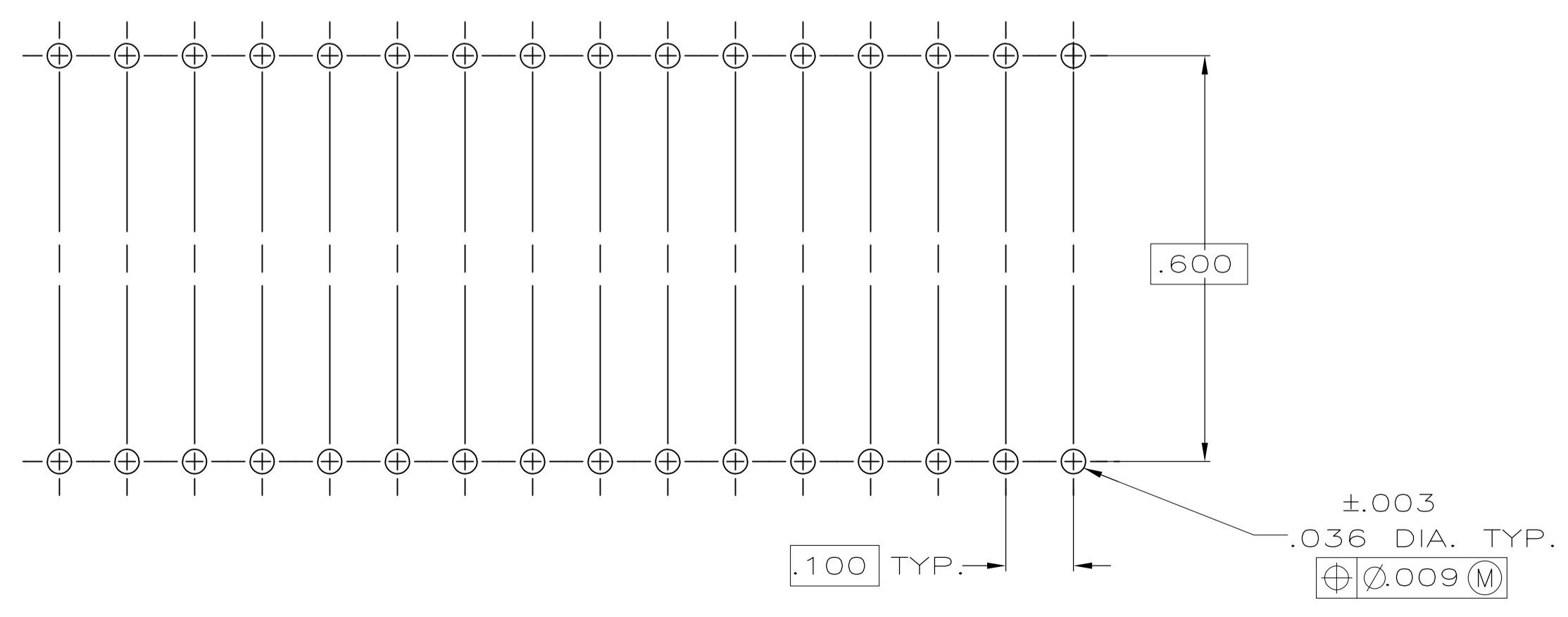




- RECEPTACLE ACCEPTS AN .008-.014 THK. I.C. LEAD.
 - TWO .000030 MIN.THK.GOLD STRIPES IN CONTACT AREA, TIN-LEAD(93-7) ON CONTACT LEGS, BALANCE OF CONTACT NICKEL PLATED.
 - TWO .000015 MIN.THK.GOLD STRIPES IN CONTACT AREA, TIN-LEAD(93-7) ON CONTACT LEGS, BALANCE OF CONTACT NICKEL PLATED.
 - TUBE LOADED FOR AUTOMATIC INSERTION
- SPECIAL PACKAGING.
 - SEE RESTRICTED CUSTOMER DRAWING 4-644018-3.



SECTION A-A
SCALE 10:1



RECOMMENDED MOUNTING HOLE PATTERN

SUPSD BY 390262-3	TINNED	PHOS.BRZ.	GLASS-FILLED THERMOPLASTIC, 94V-0, BLACK	5-644018-3
OBSELETE	-	-	-	OBSELETE
OBSELETE	TINNED	PHOS.BRZ. .006 THK	GLASS-FILLED THERMOPLASTIC, 94V-0, BLACK	2-644018-5
		PHOS.BRZ.	GLASS-FILLED THERMOPLASTIC, 94V-0, BLACK	2-644018-4
SUPSD BY 390263-2	TINNED	PHOS.BRZ.	GLASS-FILLED THERMOPLASTIC, 94V-0, BLACK	2-644018-3
		BE.CU.	GLASS-FILLED THERMOPLASTIC, 94V-0, BLACK	2-644018-2
SUPSD BY 390263-2	TINNED	BE.CU.	GLASS-FILLED THERMOPLASTIC, 94V-0, BLACK	2-644018-1
	CONTACT FINISH	CONTACT MAT'L	HOUSING MATERIAL	PART NO.

THIS DRAWING IS A CONTROLLED DOCUMENT.

DIMENSIONS: INCHES	TOLERANCES UNLESS OTHERWISE SPECIFIED:	DIN M. CYRUS 14 MAY 97	APVD R. MILLER	NAME
0 PLC ± -	1 PLC ± -	2 PLC ± -	3 PLC ± .005	4 PLC ANGLES ± -
MATERIAL SEE TABLE	FINISH SEE TABLE	WEIGHT	SIZE A1	CAGE CODE 00779
		DRAWING NO. 644018	SCALE 5:1	SHEET 1 OF 1

STE TE Connectivity

SOCKET ASSY, DIP, OTC, 32 POS, DIPLOMATE DL

CUSTOMER DRAWING