



Chipsmall Limited consists of a professional team with an average of over 10 year of expertise in the distribution of electronic components. Based in Hongkong, we have already established firm and mutual-benefit business relationships with customers from,Europe,America and south Asia,supplying obsolete and hard-to-find components to meet their specific needs.

With the principle of "Quality Parts,Customers Priority,Honest Operation,and Considerate Service",our business mainly focus on the distribution of electronic components. Line cards we deal with include Microchip,ALPS,ROHM,Xilinx,Pulse,ON,Everlight and Freescale. Main products comprise IC,Modules,Potentiometer,IC Socket,Relay,Connector.Our parts cover such applications as commercial,industrial, and automotives areas.

We are looking forward to setting up business relationship with you and hope to provide you with the best service and solution. Let us make a better world for our industry!



Contact us

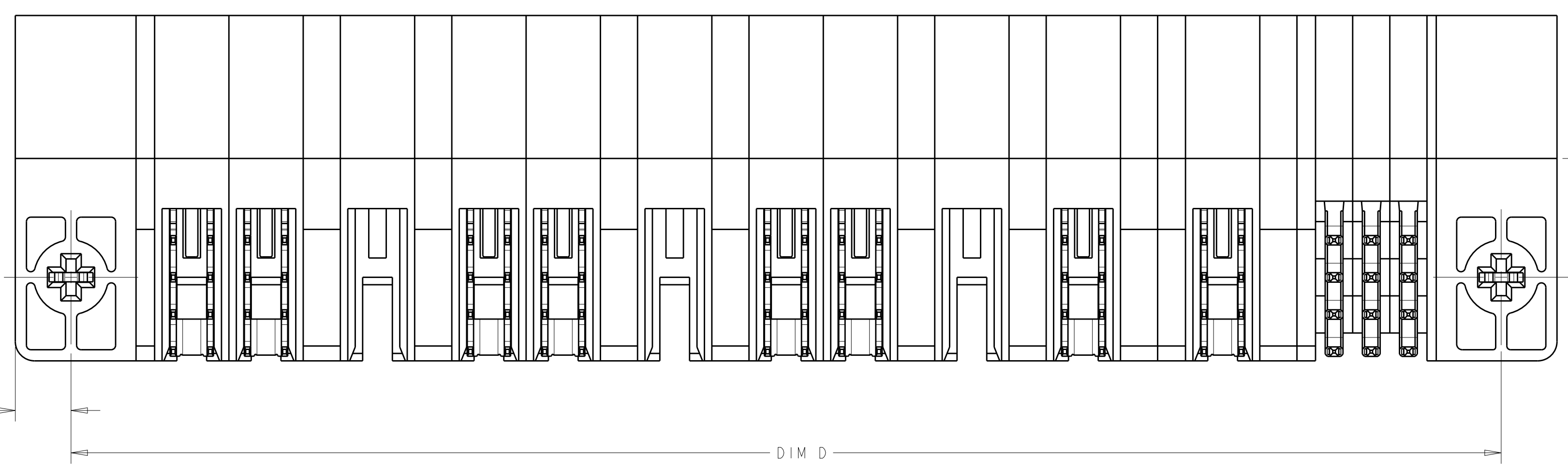
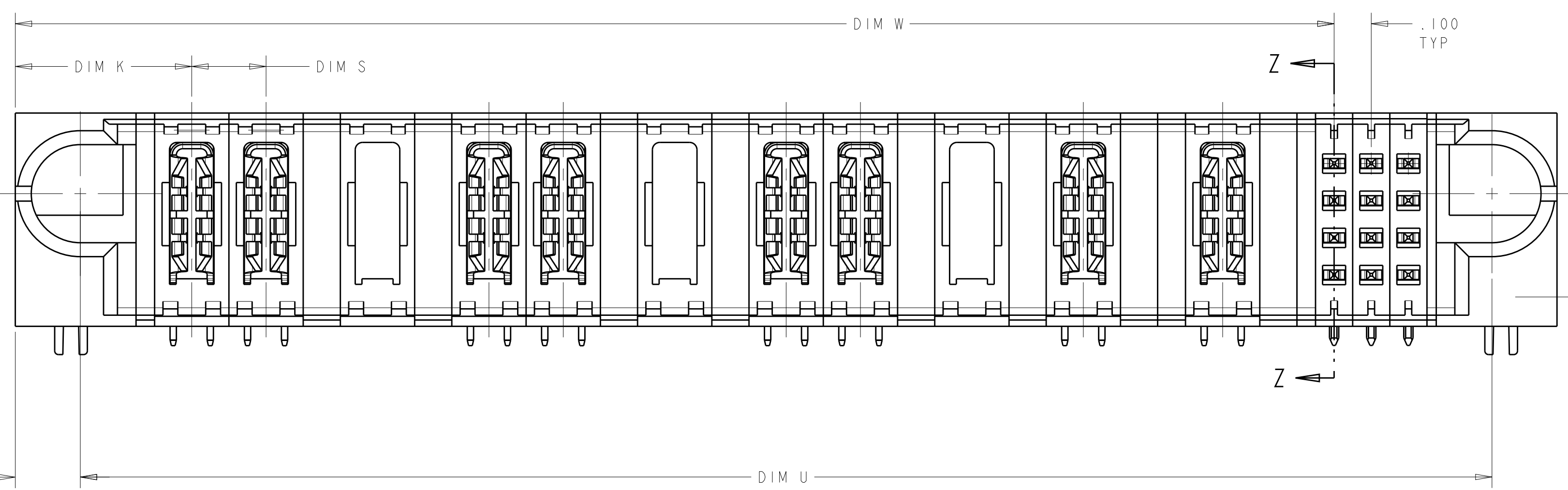
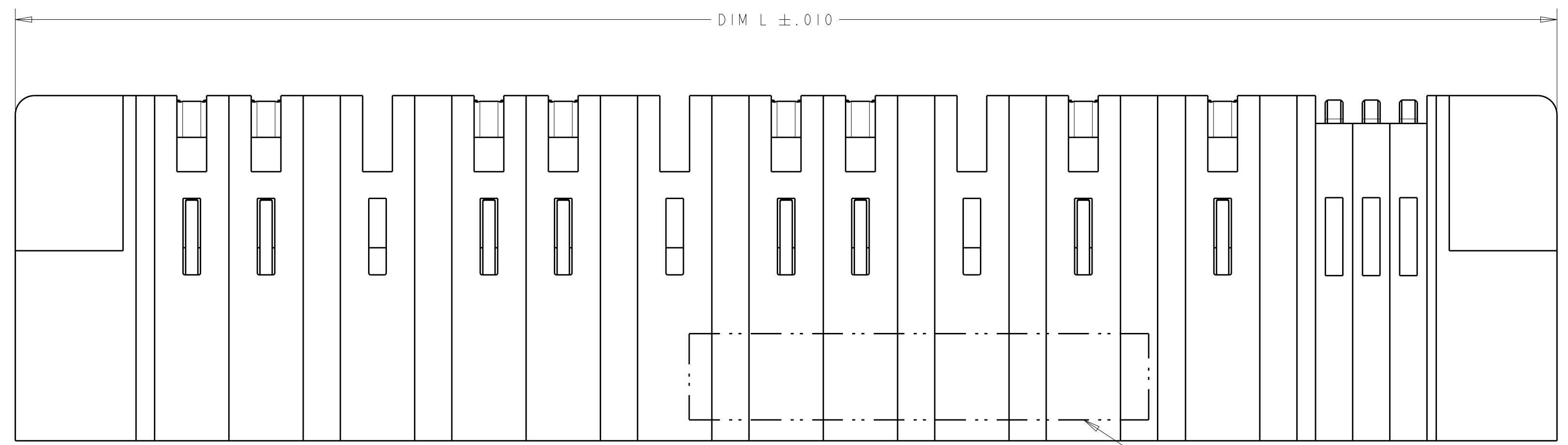
Tel: +86-755-8981 8866 Fax: +86-755-8427 6832

Email & Skype: info@chipsmall.com Web: www.chipsmall.com

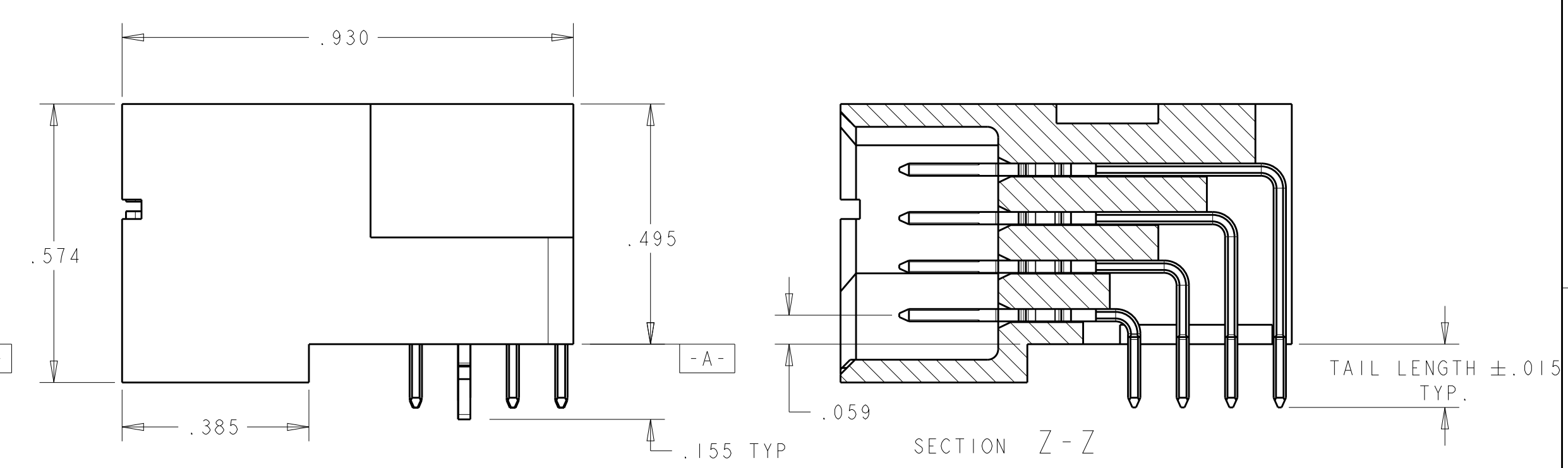
Address: A1208, Overseas Decoration Building, #122 Zhenhua RD., Futian, Shenzhen, China



LOC		DIST		REVISIONS			
GP	00	P	LTH	DESCRIPTION	DATE	DWN	APVD
		E8		RELEASE 2-3	10AUG2014	CZ	SZ
		E9		ADD NEW DASH NUMBER 3-0	19AUG2014	CZ	SZ



- 1 "AMP" TRADEMARK, PART NUMBER, AND DATE CODE TO BE MARKED IN AREA SHOWN
- 2 MATERIAL:
HOUSING - GLASS FILLED HIGH TEMP THERMO PLASTIC, UL94 V-0
SIGNAL CONTACT - COPPER ALLOY
POWER CONTACT - HIGH CONDUCTIVITY COPPER ALLOY
- 3 CONTACT PLATING: NOBLE METAL PLATING ON CONTACT FUNCTIONAL AREA OF POWER AND SIGNAL CONTACTS.
- 4 MECHANICAL CONNECTOR KEEP OUT ZONE.
- 5 DATUM AND BASIC DIMENSIONS ESTABLISHED BY CUSTOMER.
- 6 PCB - ALL HOLES DIAMETERS ARE FINISHED HOLE SIZES.
- 7 PCB - .0453±.0010 DRILLED HOLES PLATED WITH .0003 MIN. Sn OVER .001 TO .003 CU PLATING TO ACHIEVE A .040±.003 DIA HOLE.
- 8 NOT RELEASED FOR PRODUCTION
- 9 VARIABLE DIMENSIONS SHOWN ON VIEW (SHEET 2)



THIS DRAWING IS A CONTROLLED DOCUMENT. DWN: R. GRZYBOWSKI 02FEB05
 CHK: M. PERCHERKE 02FEB05

STE TE Connectivity

NAME: RIGHT ANGLE HEADER ASSY W/GUIDES MULTI-BEAM XL

PRODUCT SPEC: 108-1973
 APPLICATION SPEC: 114-13038

SIZE: A100779 C=6450122
 CAGE CODE: 6450122


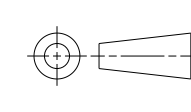
MATERIAL: 2 FINISH: 3

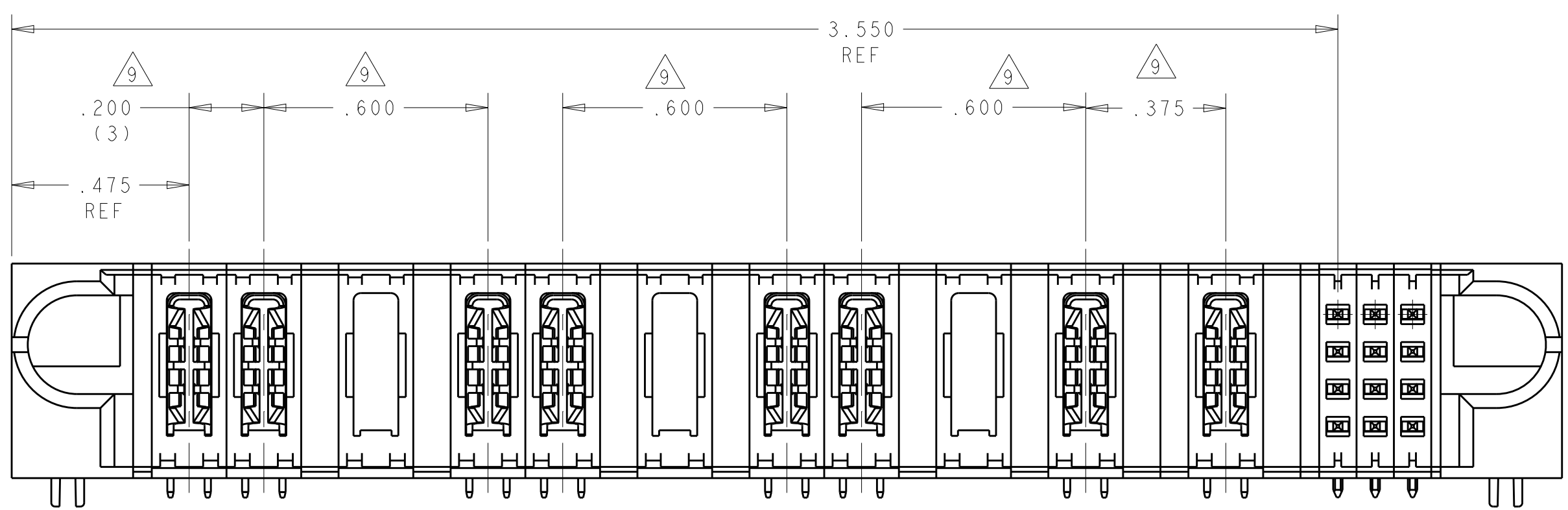
CUSTOMER DRAWING SCALE: 4:1 SHEET 1 OF 10 REV: E9

THIS DRAWING IS UNPUBLISHED. RELEASED FOR PUBLICATION 20
 © COPYRIGHT 20 BY - ALL RIGHTS RESERVED.

LOC		DIST		REVISIONS			
P	LYN	DESCRIPTION	DATE	OWN	APVD		
-	-	SEE SHEET 1	-	-	-		

E9	1.700	.250	1.375	1.750	.450	2.050	4P + 16S	3-6450122-0
	2.400	.250	1.875	2.450	.450	2.750	6P + 24S	2-6450122-9
	1.300	.250	1.175	1.350	.450	1.650	3P + 8S	2-6450122-8
	2.050	.250	1.925	2.100	.450	2.400	6P + 8S	2-6450122-7
	4.425	.200	2.200	4.475	.450	4.775	9P + 92S	2-6450122-6
	2.900	.250	2.375	2.950	.450	3.250	8P + 24S	2-6450122-5
	2.700	.250	.875	2.750	.450	3.050	2P + 76S	2-6450122-4
	2.300	.250	1.875	2.350	.450	2.650	6P + 20S	2-6450122-3
	3.200	.250	2.875	3.250	.450	3.550	10P + 16S	2-6450122-2
	1.650	.200	1.225	1.700	.450	2.000	4P + 20S	2-6450122-1
	2.950	.200	2.425	3.000	.450	3.300	10P + 24S	2-6450122-0
	1.800	.250	1.375	1.850	.450	2.150	4P + 20S	1-6450122-9
	2.250	.250	1.975	2.300	.475	2.600	6P + 12S	1-6450122-7
	1.000	.250	.875	1.050	.450	1.350	2P + 8S	1-6450122-6
	1.850	.300	1.325	1.900	.475	2.200	3ACP + 24S	1-6450122-2
	5.900	.250	5.375	5.950	.450	6.250	20P + 24S	1-6450122-1
	1.400	.250	.875	1.450	.450	1.750	2P + 24S	1-6450122-0
	3.050	.250	2.125	3.100	.450	3.400	7P + 40S	6450122-8
	4.425	.250	3.875	4.475	.450	4.775	14P + 24S	6450122-6
	3.800	.250	3.550	3.850	.475	4.150	11P + 12S	6450122-3
	4.600	.250	3.875	4.650	.450	4.950	14P + 32S	6450122-2
	3.800	.250	3.550	3.850	.475	4.150	11P + 12S	6450122-1
	DIM U	DIM S	DIM W	DIM D	DIM K	DIM L	DESCRIPTION	PART NUMBER

THIS DRAWING IS A CONTROLLED DOCUMENT.		DWN R. GRZYBOWSKI CHK M. PERCHERKE APVD M. PERCHERKE	02FEB05 02FEB05	 TE Connectivity
DIMENSIONS: INCHES	TOLERANCES UNLESS OTHERWISE SPECIFIED:	PRODUCT SPEC 108-1973	NAME RIGHT ANGLE HEADER ASSY W/GUIDES MULTI-BEAM XL	
	0 PLC ±. 1 PLC ±.01 2 PLC ±.01 3 PLC ±.005 4 PLC ±.0020 ANGLES ±.2	APPLICATION SPEC 114-13038	RESTRICTED TO	
MATERIAL	FINISH	WEIGHT	SCALE 4:1 SHEET 2 OF 10 REV E9	
CUSTOMER DRAWING		SIZE CAGE CODE DRAWING NO A100779C=6450122		



SCALE 3:1

PART NUMBER	ROWS	POWER										SIGNAL			
		P1	P2	P3	P4	P5	P6	P7	P8	P9	P10	P11	1	2	3
6450122-1	D C B A	PM	PM		PM	PM		PM	PM		PM	PM	J	J	J
												K	K	K	
												N	N	N	
												S	S	S	

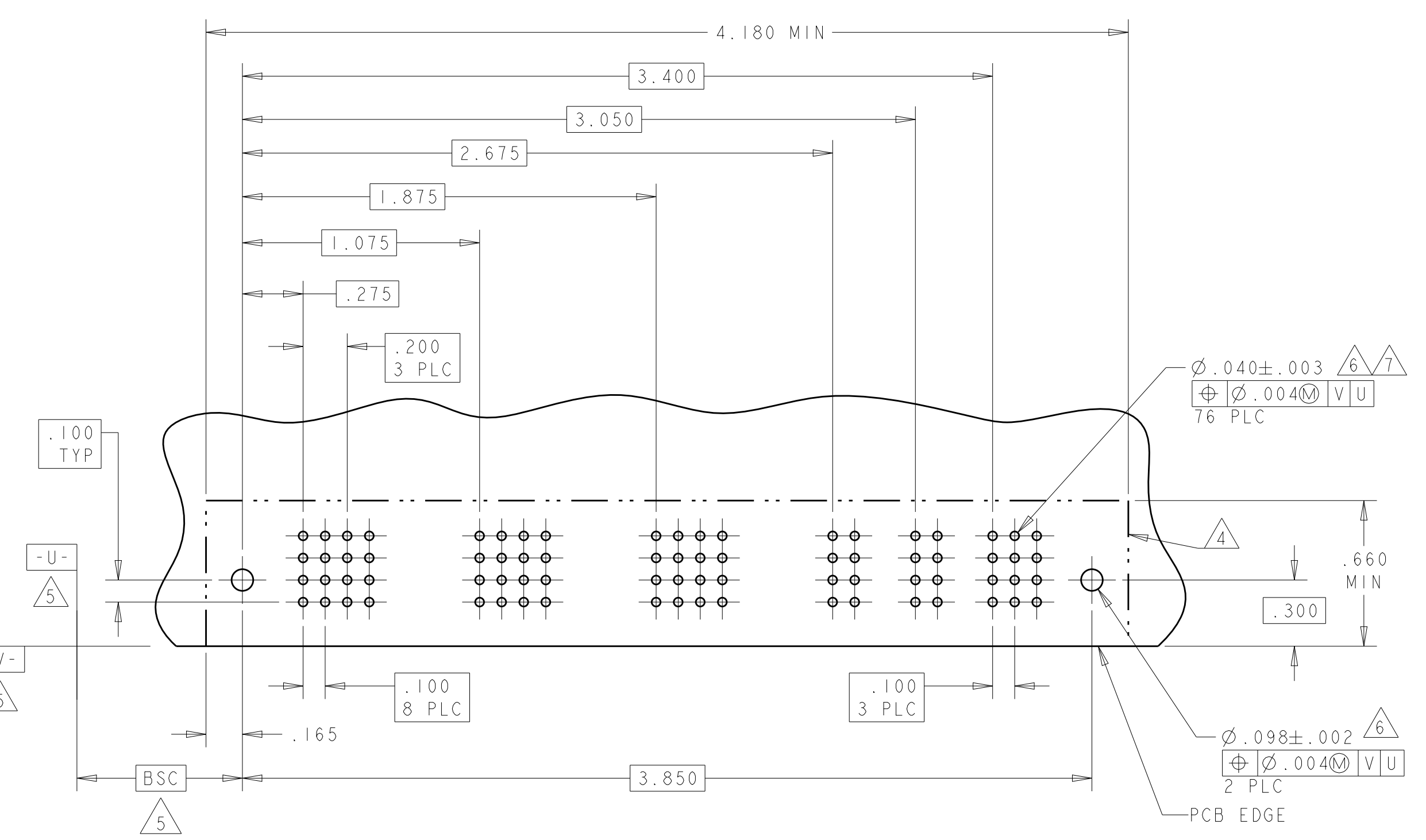
11P + 12S

NO CONTACT LOADED

PART NUMBER	ROWS	POWER										SIGNAL			
		P1	P2	P3	P4	P5	P6	P7	P8	P9	P10	P11	1	2	3
6450122-3	D C B A	PM			PM			PM			PM	PM	J	J	J
												K	K	K	
												N	N	N	
												S	S	S	

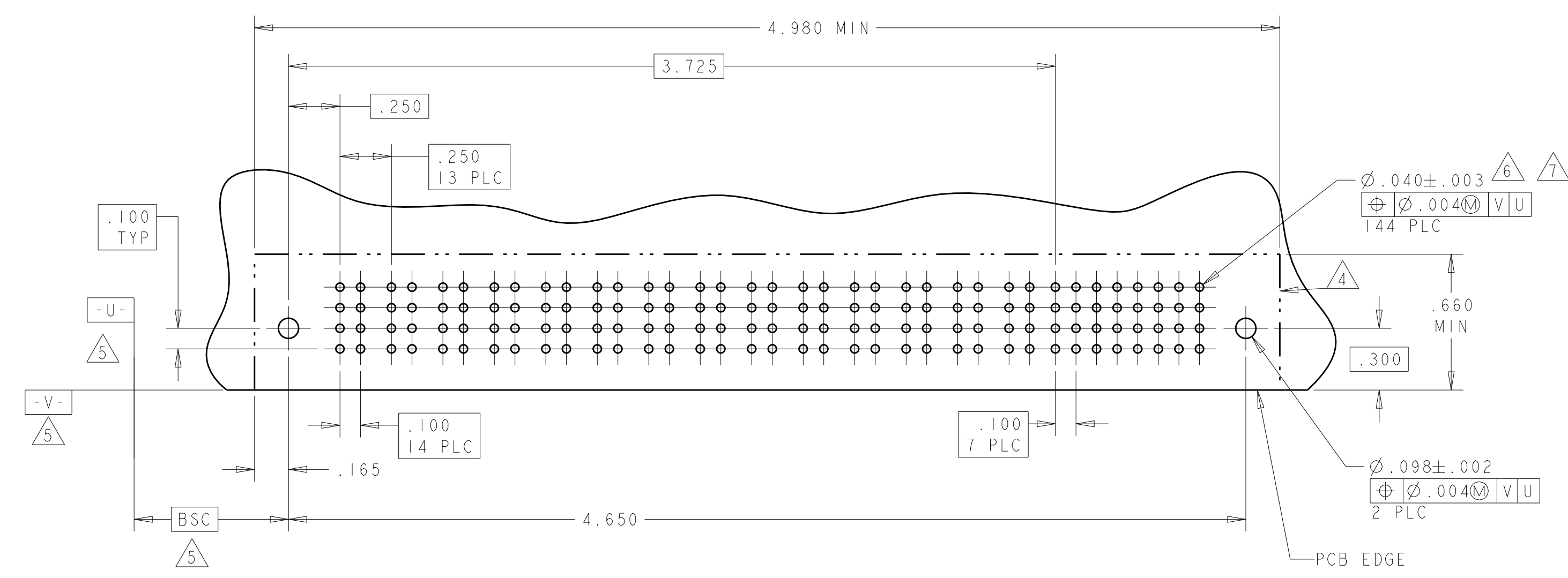
11P + 12S

NO CONTACT LOADED



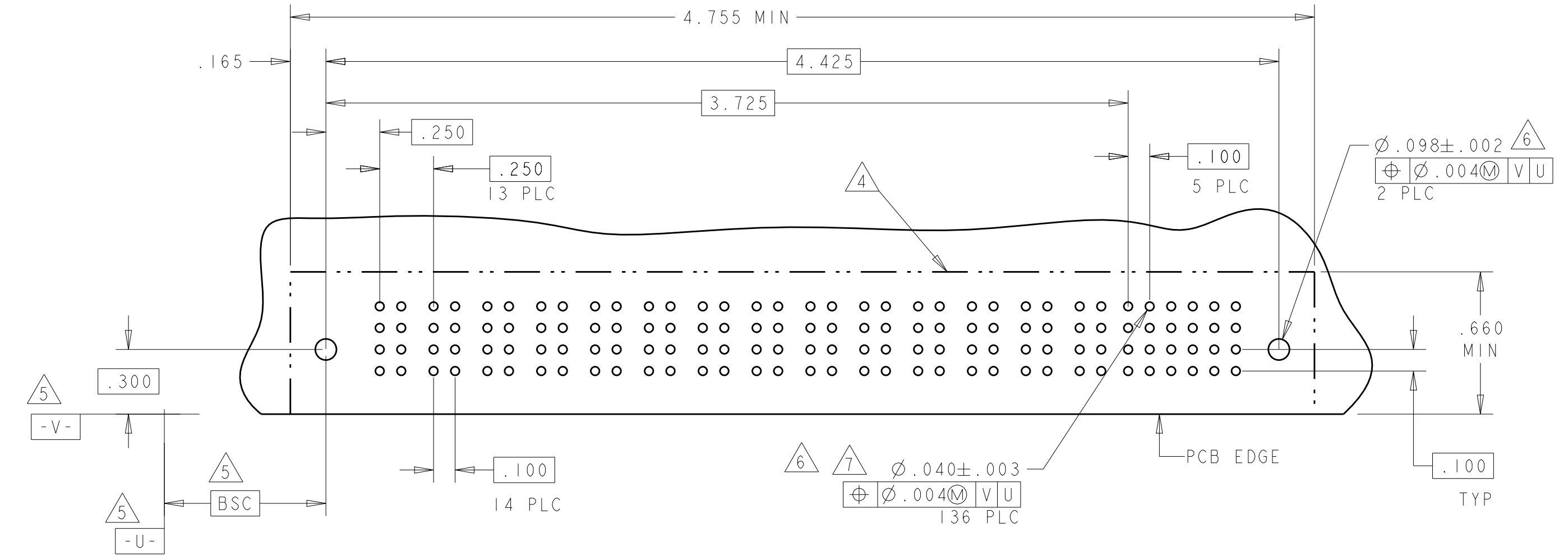
PART NUMBER	ROWS	POWER														SIGNAL							
		P1	P2	P3	P4	P5	P6	P7	P8	P9	P10	P11	P12	P13	P14	1	2	3	4	5	6	7	8
6450122-2	D C B A	PM	PM	PM	PM	PM	PM	PM	PM	PM	PM	PM	PM	PM	J	J	J	J	J	J	J	J	
														K	K	K	K	K	K	K	K		
														N	N	N	N	N	N	N	N		
														S	S	S	S	S	S	S	S		

14P + 32S



PART NUMBER	ROWS	POWER														SIGNAL					
		P1	P2	P3	P4	P5	P6	P7	P8	P9	P10	P11	P12	P13	P14	1	2	3	4	5	6
6450122-6	D C B A	PM	PM	PM	PM	PM	PM	PM	PM	PM	PM	PM	PM	PM	J	J	J	J	J	J	
														K	K	K	K	K	K		
														N	N	N	N	N	N		
														S	S	S	S	S	S		

14P + 24S



Z	STD	.090	D
Y	STD	.090	C
R	STD	.090	B
O	STD	.090	A
H	MLBF	.135	A
J	STD	.135	D
K	STD	.135	C
N	STD	.135	B
S	STD	.135	A

CODE	MATING SEQUENCE	TAIL LENGTH	ROW

SIGNAL CONTACT

THIS DRAWING IS A CONTROLLED DOCUMENT.

DIMENSIONS: INCHES

TOLERANCES UNLESS OTHERWISE SPECIFIED:

0 PLC	±
1 PLC	±.01
2 PLC	±.005
3 PLC	±.002
4 PLC	±.002
ANGLES	±.02

MATERIAL: .

FINISH: .

OWN: R. GRZYBOWSKI 02FEB05

CHK: M. PERCHERKE 02FEB05

APVD: M. PERCHERKE

PRODUCT SPEC: 108-1973

APPLICATION SPEC: 114-13038

WEIGHT: .

CUSTOMER DRAWING

SCALE: 4:1

SHEET: 3 OF 10

REV: E9

PA: .090

PM: .135

CODE: TAIL LENGTH

POWER CONTACT

STE TE Connectivity

RIGHT ANGLE HEADER ASSY W/GUIDES MULTI-BEAM XL

SIZE: A1

CAGE CODE: 6450122

DRAWING NO: 100779

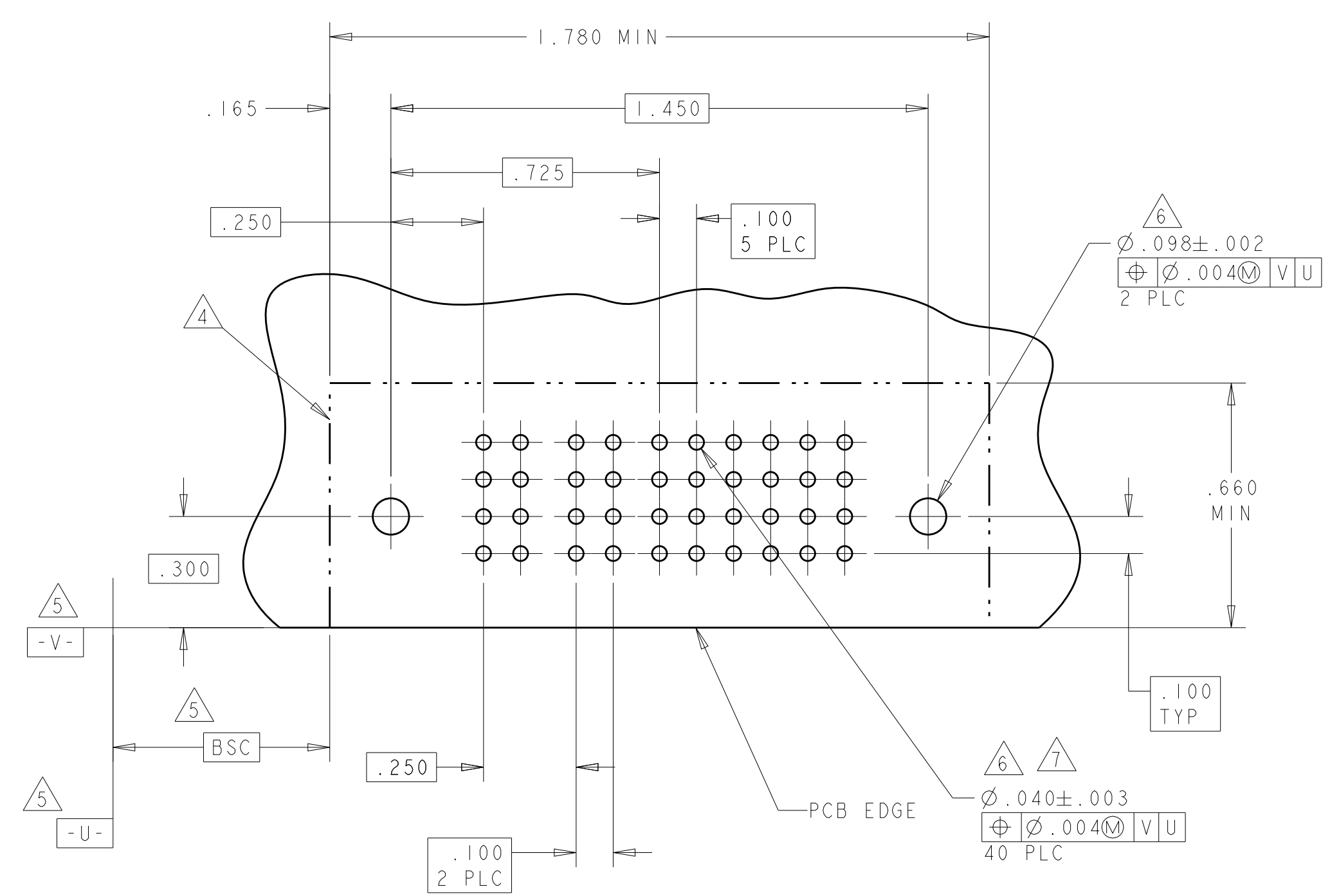
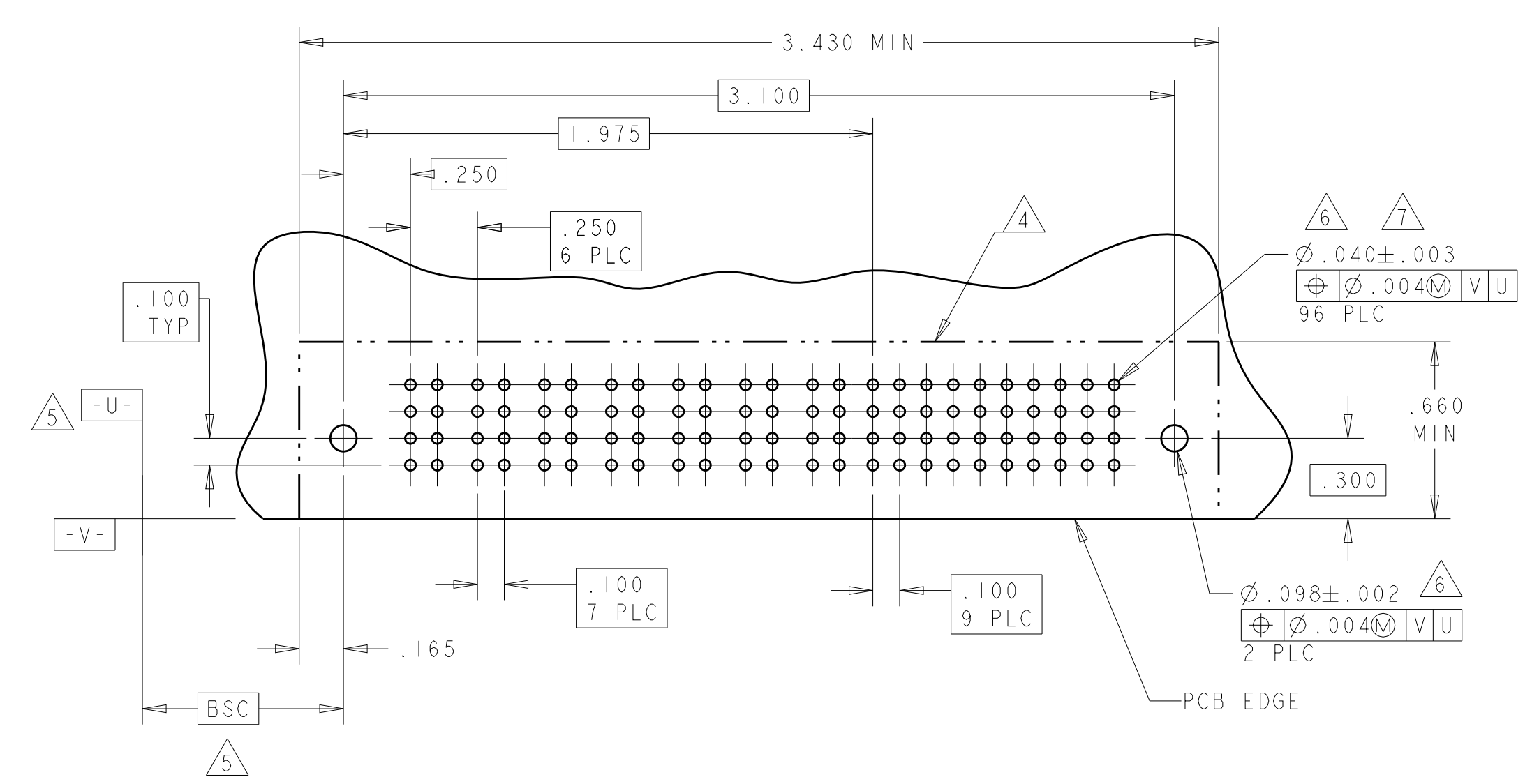
LOC	DIST	REV	DATE	OWN	APVD
GP	00				

REV	DATE	OWN	APVD
1			

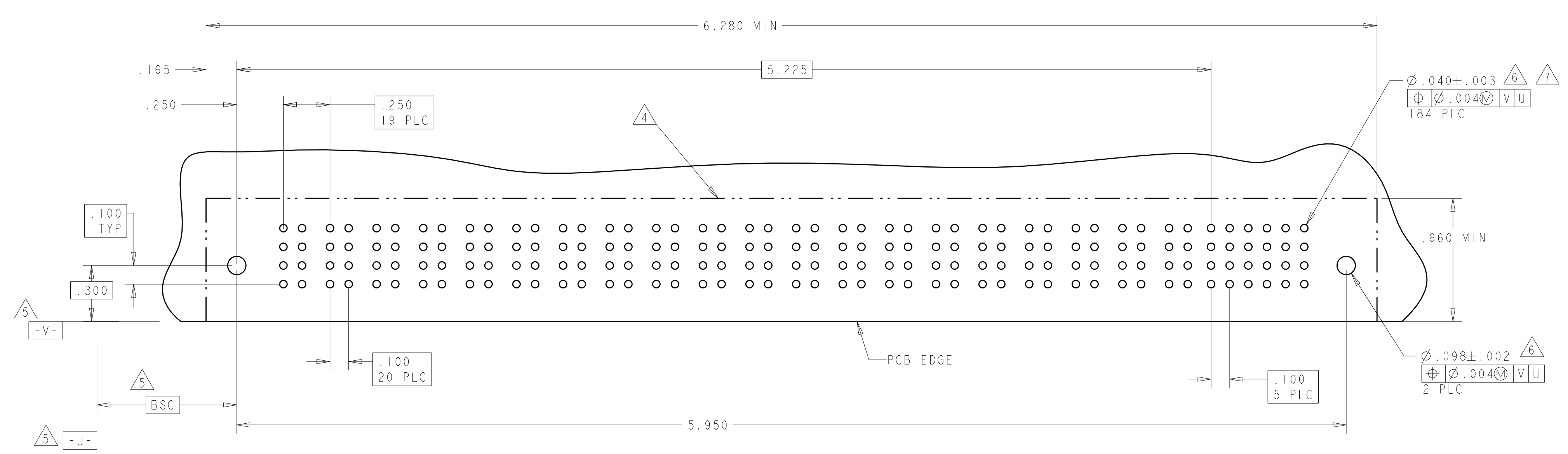
LOC	DIST	REVISIONS			
GP	00	REV	DATE	BY	APPV
		1			
		2			
		3			
		4			
		5			
		6			
		7			
		8			
		9			
		10			

PART NUMBER	ROWS	POWER							SIGNAL									
		P1	P2	P3	P4	P5	P6	P7	1	2	3	4	5	6	7	8	9	10
6450122-8	D C B A	PM	PM	PM	PM	PM	PM	PM	J	J	J	J	J	J	J	J	J	J
									K	K	K	K	K	K	K	K	K	K
									N	N	N	N	N	N	N	N	N	N
									S	S	S	S	S	S	S	S	S	S
7P + 40S																		

PART NUMBER	ROWS	POWER		SIGNAL					
		P1	P2	1	2	3	4	5	6
1-6450122-0	D C B A	PM	PM	J	J	J	J	J	J
				K	K	K	K	K	K
				N	N	N	N	N	N
				S	S	S	S	S	S
2P + 24S									



PART NUMBER	ROWS	POWER																				SIGNAL					
		P1	P2	P3	P4	P5	P6	P7	P8	P9	P10	P11	P12	P13	P14	P15	P16	P17	P18	P19	P20	1	2	3	4	5	6
1-6450122-1	D C B A	PM	PM	PM	PM	PM	PM	PM	PM	PM	PM	PM	PM	PM	PM	PM	PM	PM	PM	PM	PM	J	J	J	J	J	J
																						K	K	K	K	K	K
																						N	N	N	N	N	N
																						S	S	S	S	S	S
20P + 24S																											

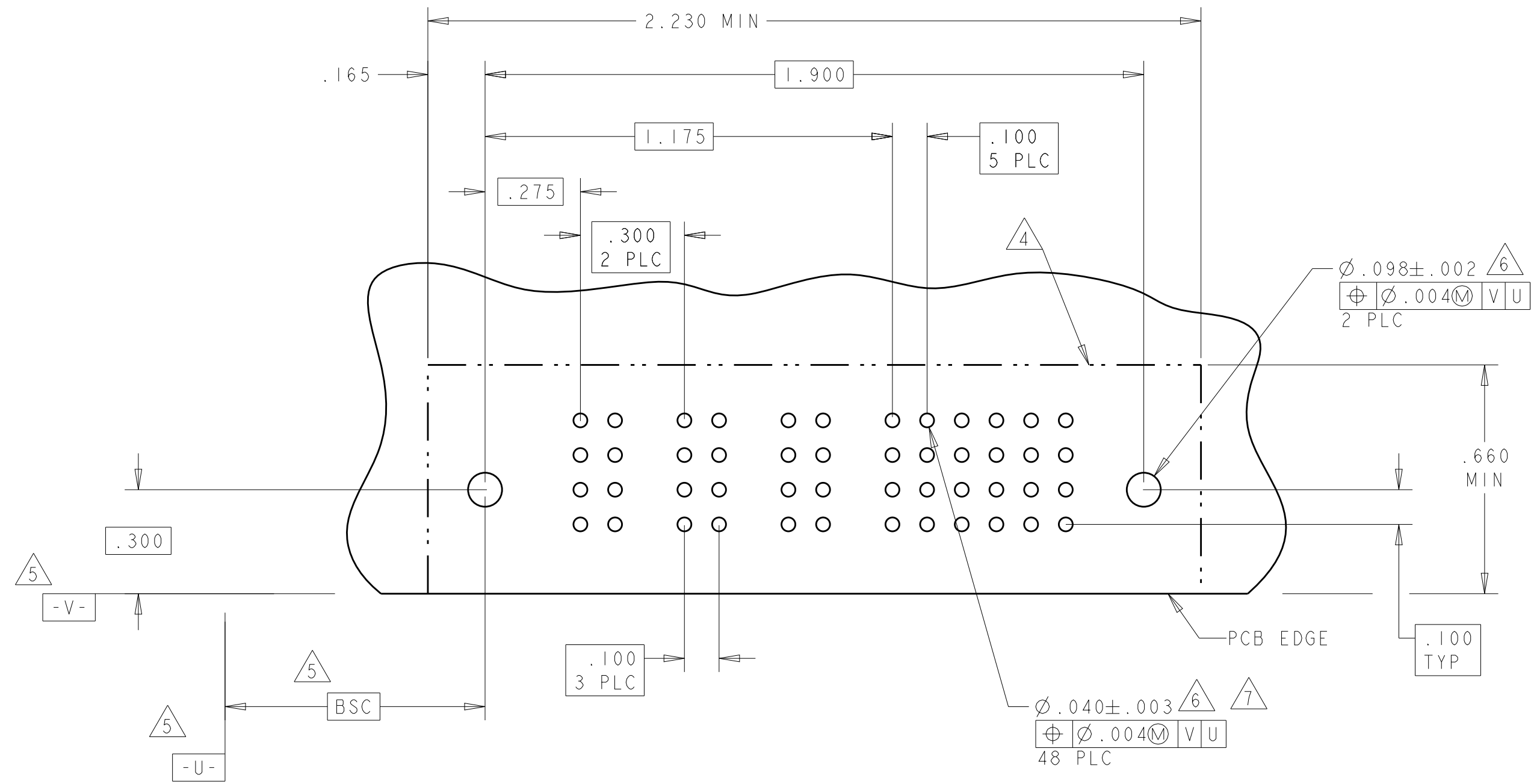


THIS DRAWING IS A CONTROLLED DOCUMENT.

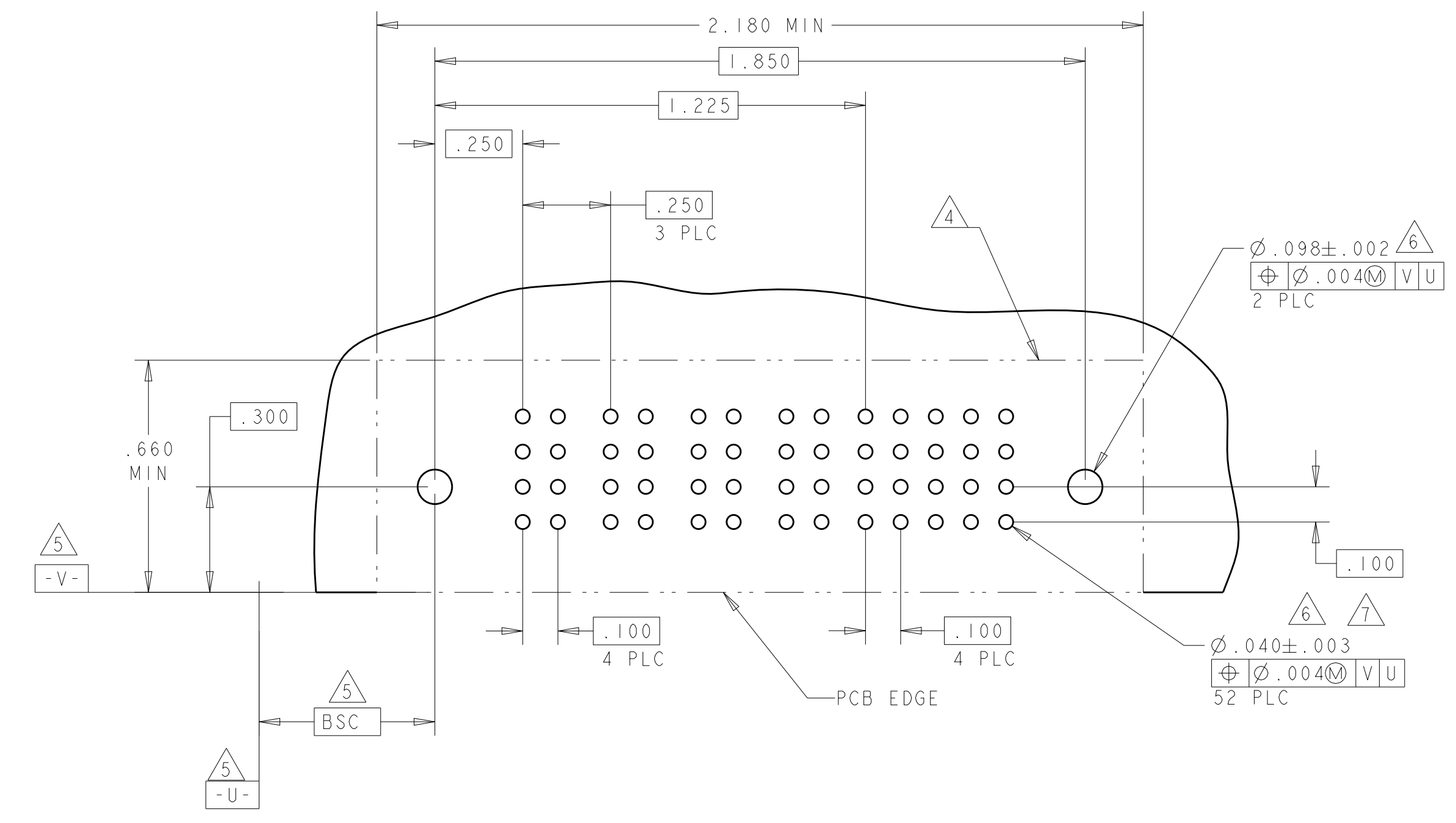
DIMENSIONS:	TOLERANCES UNLESS OTHERWISE SPECIFIED:	OWN: R. GRZYBOWSKI	02FEB05		TE Connectivity
INCHES	0 PLC ± .01 1 PLC ± .01 2 PLC ± .01 3 PLC ± .01 4 PLC ± .0020 ANGLES ± .2	CHK: M. PERCHERKE	02FEB05		NAME: RIGHT ANGLE HEADER ASSY W/GUIDES MULTI-BEAM XL
MATERIAL:	FINISH:	APV: M. PERCHERKE	PRODUCT SPEC: 108-1973	SIZE: A100779	CAGE CODE: 6450122
		APPLICATION SPEC: 114-13038	WEIGHT:	RESTRICTED TO: -	
		ANGLES: ± .2	FINISH:	SCALE: 4:1 SHEET 4 OF 10 REV: E9	
		WEIGHT:	FINISH:	CUSTOMER DRAWING	

LOC		DIST		REVISONS			
GP	00	P	LYN	DESCRIPTION	DATE	OWN	APVD
				SEE SHEET 1			

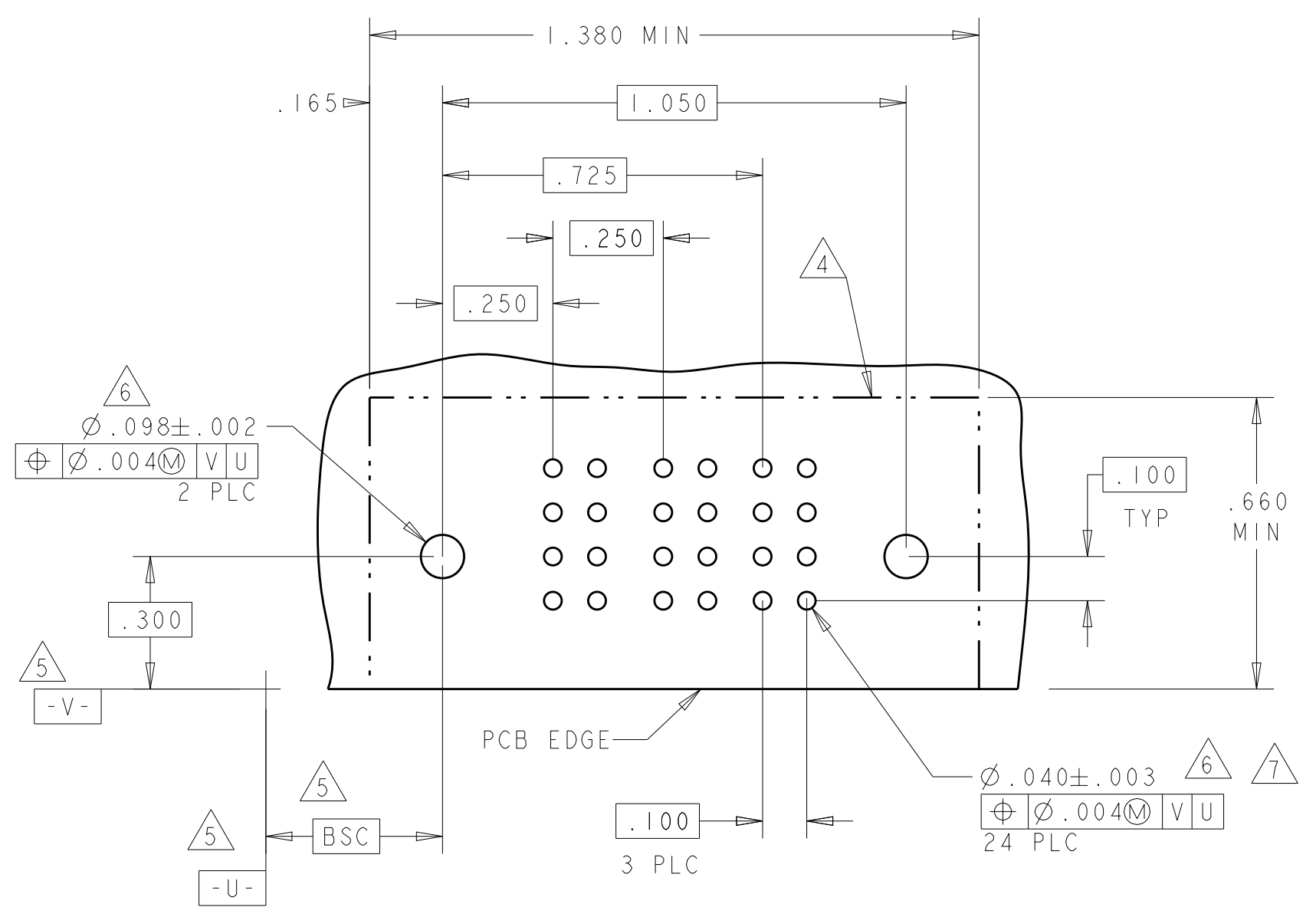
PART NUMBER	ROWS	POWER			SIGNAL						
		P1	P2	P3	1	2	3	4	5	6	
1-6450122-2	D	PM	PM	PM	J	J	J	J	J	J	
	C				K	K	K	K	K	K	
	B				N	N	N	N	N	N	
	A				S	S	S	S	S	S	
3ACP + 24S											



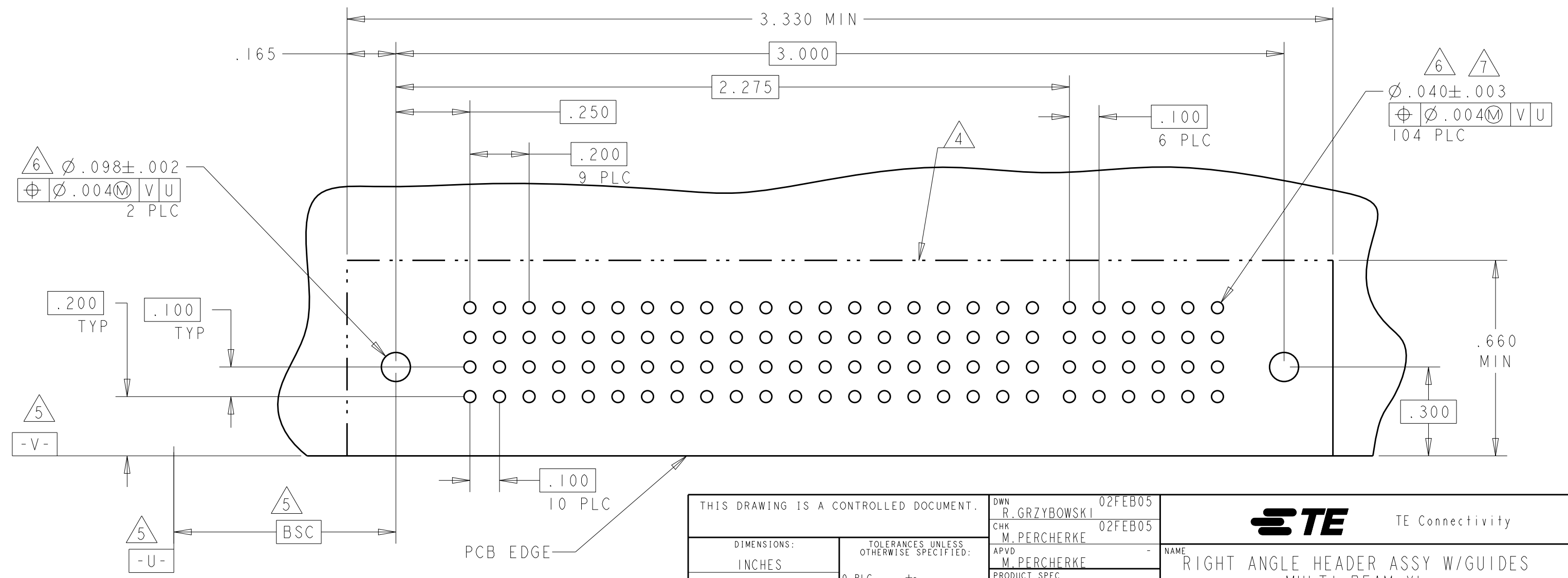
PART NUMBER	ROWS	POWER				SIGNAL					
		P1	P2	P3	P4	1	2	3	4	5	
1-6450122-9	D	PM	PM	PM	PM	J	J	J	J	J	
	C					K	K	K	K	K	
	B					N	N	N	N	N	
	A					S	S	S	S	S	
4P + 20S											



PART NUMBER	ROWS	POWER		SIGNAL	
		P1	P2	1	2
1-6450122-6	D	PM	PM	J	J
	C			K	K
	B			N	N
	A			S	S
2P + 8S					



PART NUMBER	ROWS	POWER										SIGNAL					
		P1	P2	P3	P4	P5	P6	P7	P8	P9	P10	1	2	3	4	5	6
2-6450122-0	D	PM	PM	PM	PM	PM	PM	PM	PM	PM	PM	J	J	J	J	J	J
	C											K	K	K	K	K	K
	B											N	N	N	N	N	N
	A											S	S	S	S	S	S
10P + 24S																	



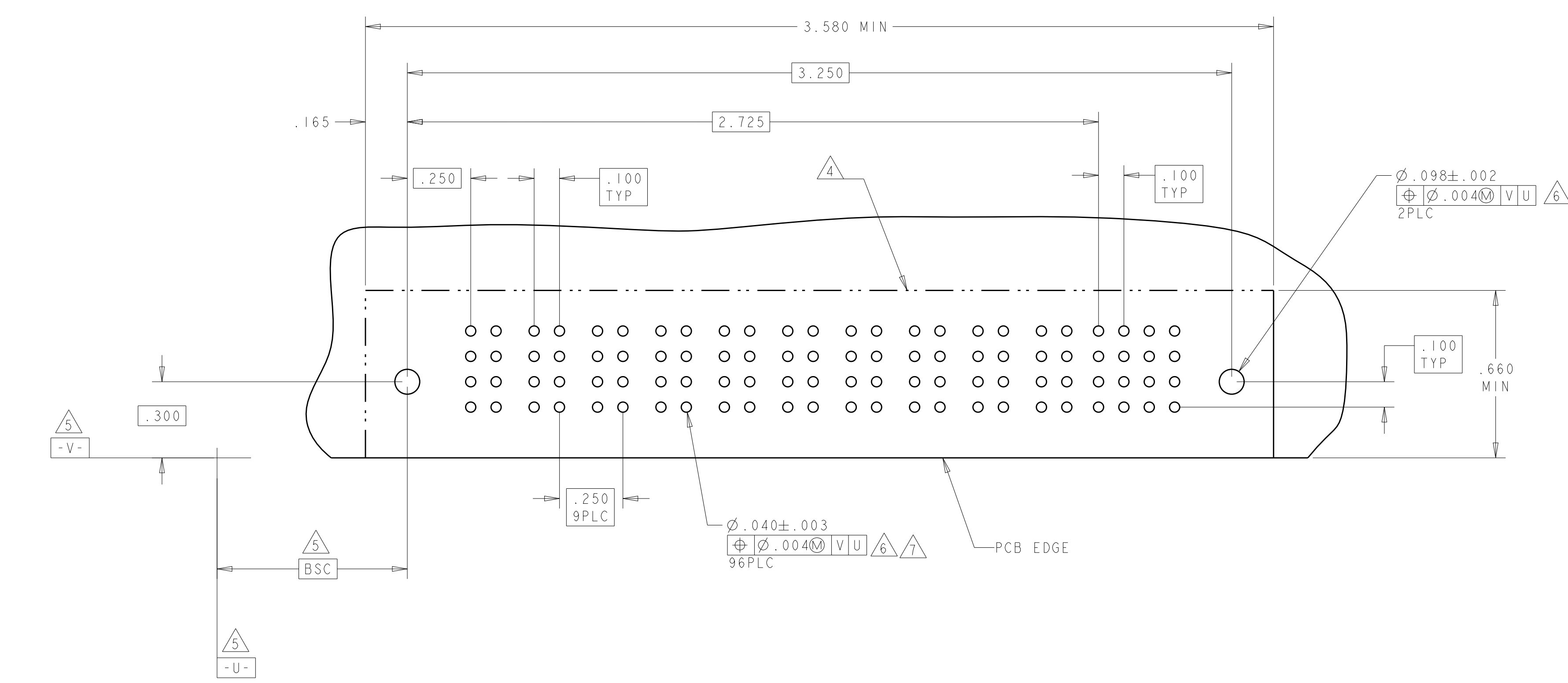
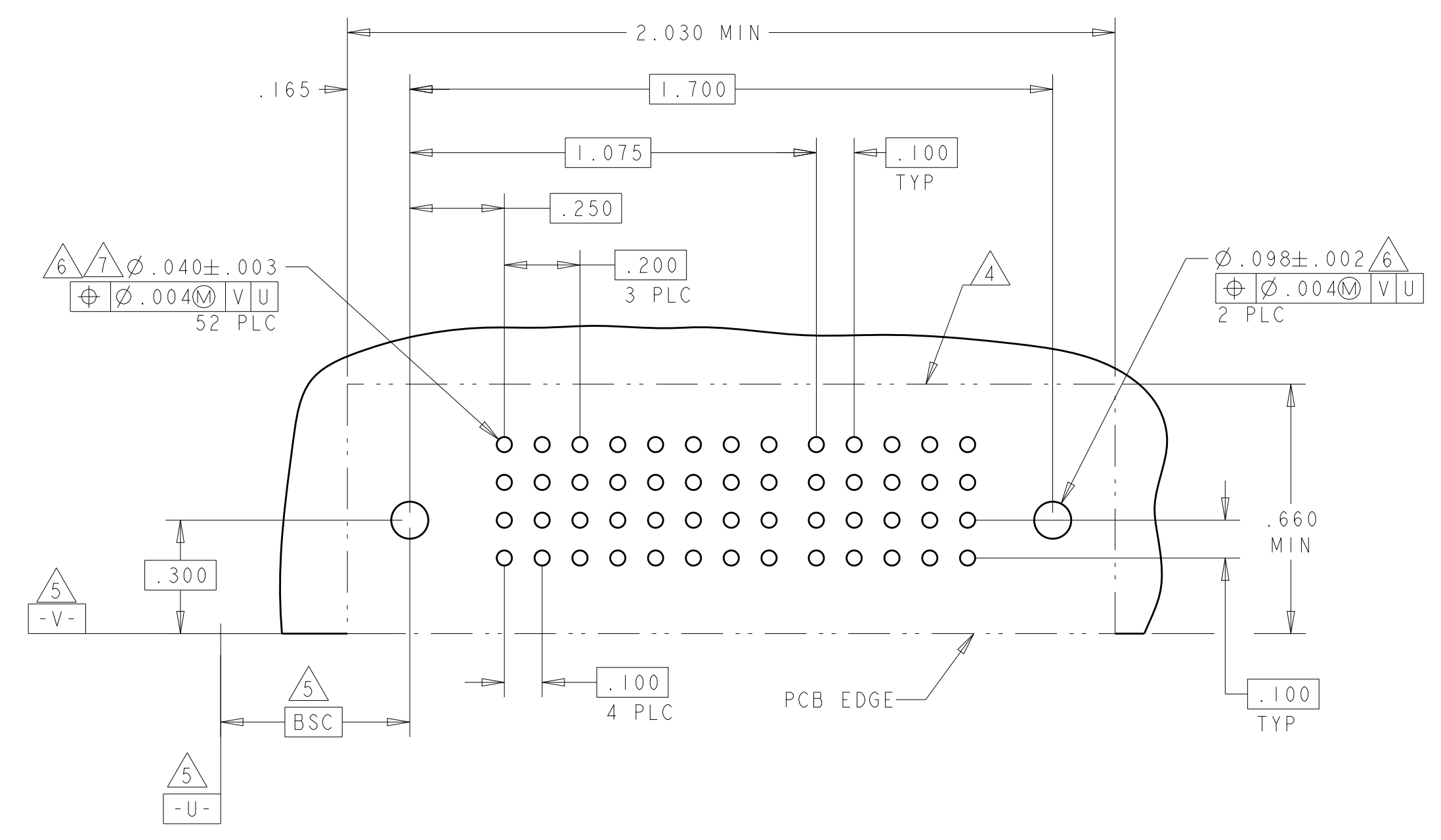
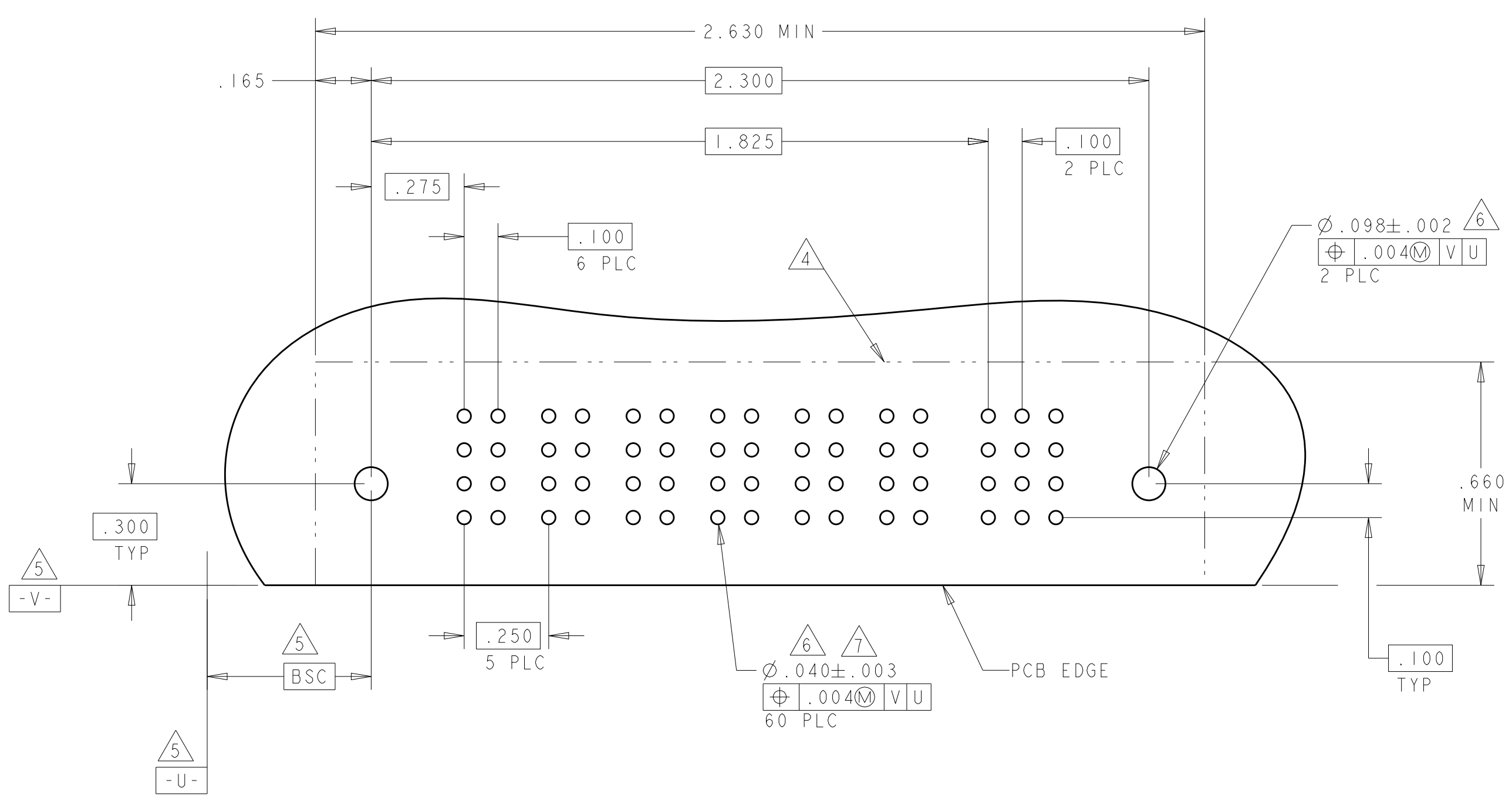
THIS DRAWING IS A CONTROLLED DOCUMENT.

DIMENSIONS:	TOLERANCES UNLESS OTHERWISE SPECIFIED:	OWN: R. GRZYBOWSKI 02FEB05	NAME: RIGHT ANGLE HEADER ASSY W/GUIDES MULTI-BEAM XL
INCHES	0 PLC ±.01	CHK: M. PERCHERKE 02FEB05	PRODUCT SPEC
	1 PLC ±.01	APVD: M. PERCHERKE	108-1973
	2 PLC ±.01	APPLICATION SPEC	114-13038
	3 PLC ±.005	WEIGHT	A100779C=6450122
	4 PLC ±.002	CUSTOMER DRAWING	SCALE 4:1 SHEET 5 OF 10 REV E9
	ANGLES ±.0020		

LOC	DIST	REVISIONS					
GP	00	P	LTH	DESCRIPTION	DATE	DWN	APVD
		-	-	SEE SHEET 1	-	-	-

PART NUMBER	ROWS	POWER						SIGNAL			
		P1	P2	P3	P4	P5	P6	1	2	3	
1-6450122-7	D	PM	PM	PM	PM	PM	PM	J	J	J	
	C							K	K	K	
	B							N	N	N	
	A							S	S	S	
6P + 12S		HD								HD	

PART NUMBER	ROWS	POWER				SIGNAL						
		P1	P2	P3	P4	1	2	3	4	5		
2-6450122-1	D	PM	PM	PM	PM	J	J	J	J	J		
	C					K	K	K	K			
	B					N	N	N	N			
	A					H	H	H	H			
4P + 20S		HD						HD				



PART NUMBER	ROWS	POWER										SIGNAL					
		P1	P2	P3	P4	P5	P6	P7	P8	P9	P10	1	2	3	4		
2-6450122-2	D	PM	PM	PM	PM	PM	PM	PM	PM	PM	PM	J	J	J	J		
	C											K	K	K	K		
	B											N	N	N	N		
	A											S	S	S	S		
10P + 16S		HD												HD			

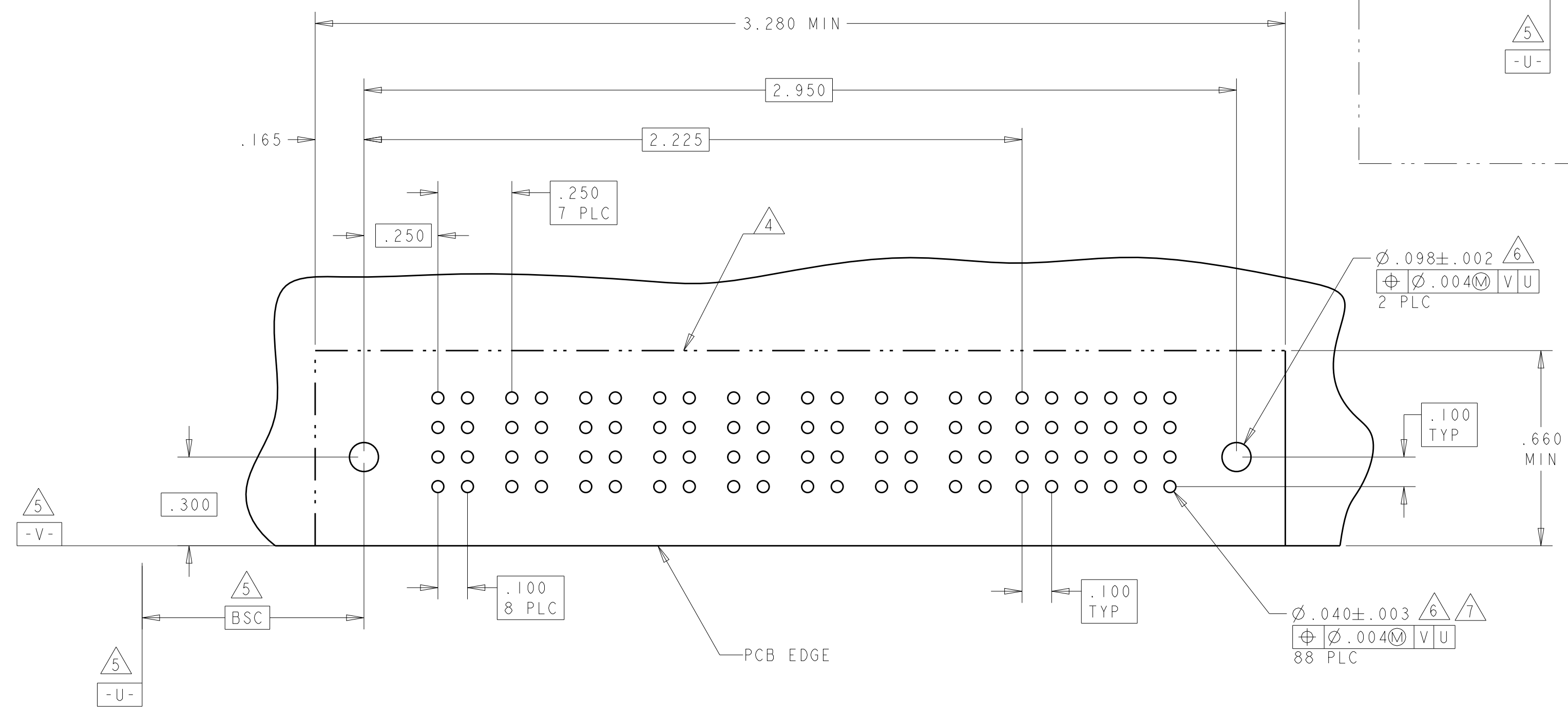
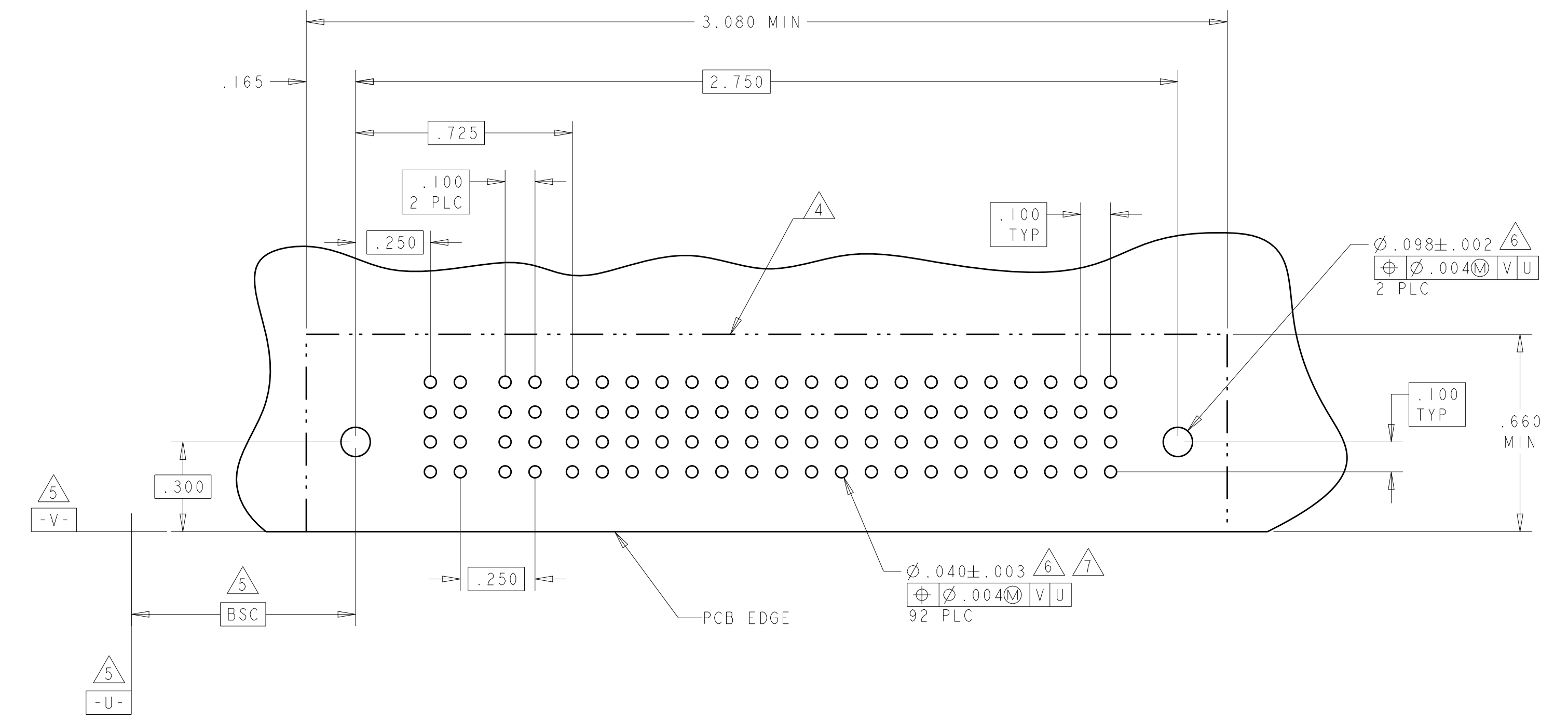
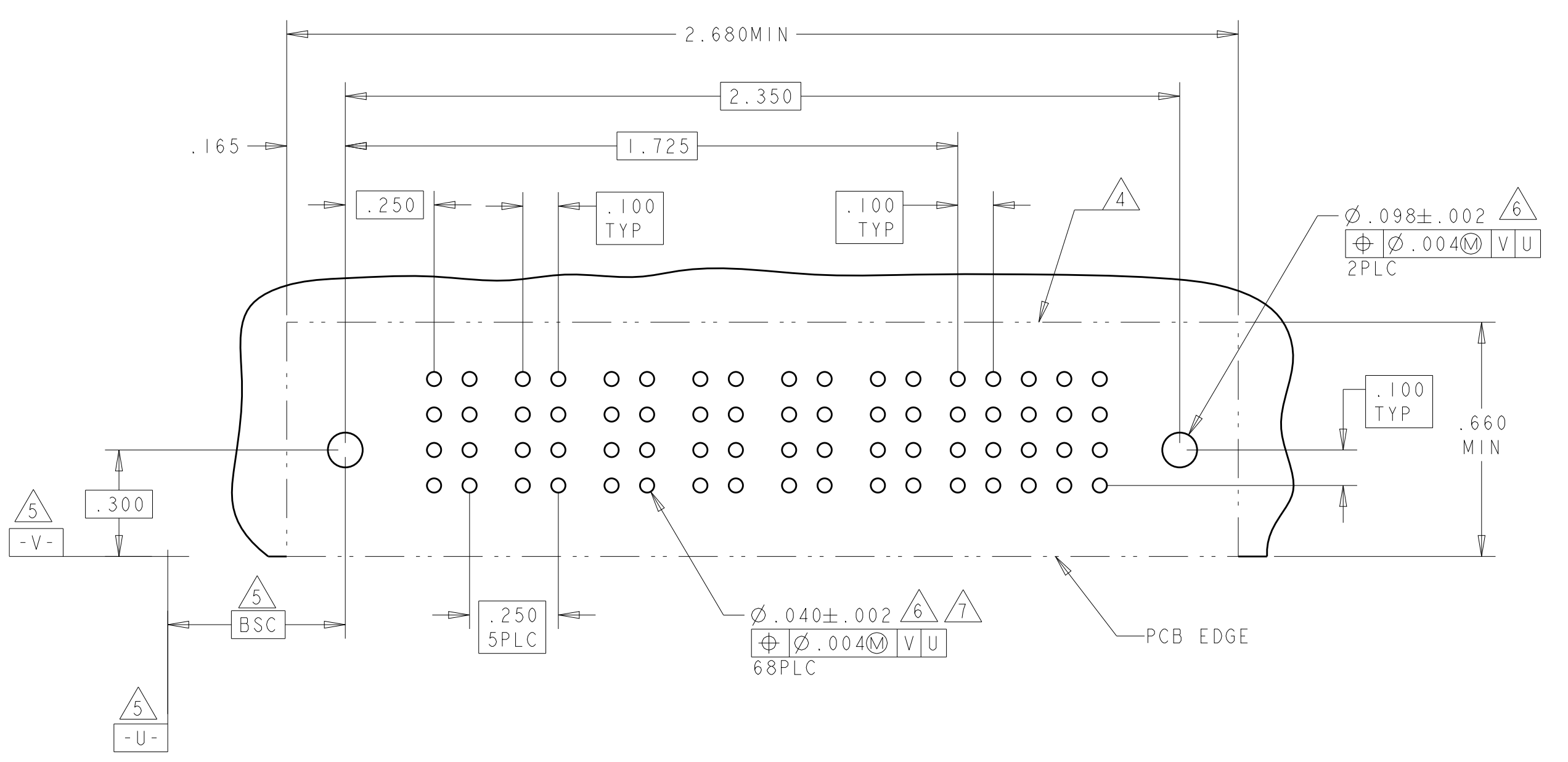
THIS DRAWING IS A CONTROLLED DOCUMENT.		DWN: R. GRZYBOWSKI 02FEB05	TE Connectivity RIGHT ANGLE HEADER ASSY W/GUIDES MULTI-BEAM XL
DIMENSIONS: INCHES		CHK: M. PERCHERKE 02FEB05	
TOLERANCES UNLESS OTHERWISE SPECIFIED:		APVD: M. PERCHERKE	NAME: 108-1973
0 PLC ±.01		PRODUCT SPEC	APPLICATION SPEC
1 PLC ±.01		APPLIC. SPEC	114-13038
2 PLC ±.01		APPLIC. SPEC	114-13038
3 PLC ±.01		APPLIC. SPEC	114-13038
4 PLC ±.01		APPLIC. SPEC	114-13038
5 PLC ±.01		APPLIC. SPEC	114-13038
6 PLC ±.01		APPLIC. SPEC	114-13038
7 PLC ±.01		APPLIC. SPEC	114-13038
8 PLC ±.01		APPLIC. SPEC	114-13038
9 PLC ±.01		APPLIC. SPEC	114-13038
10 PLC ±.01		APPLIC. SPEC	114-13038
ANGLES ±.0020		APPLIC. SPEC	114-13038
FINISH #2		APPLIC. SPEC	114-13038
MATERIAL		APPLIC. SPEC	114-13038
FINISH		APPLIC. SPEC	114-13038
CUSTOMER DRAWING		APPLIC. SPEC	114-13038
SCALE 4:1		APPLIC. SPEC	114-13038
SHEET 6 OF 10		APPLIC. SPEC	114-13038
REV E		APPLIC. SPEC	114-13038

LOC	DIST	REV	DATE	BY	APPV
GP	00				

REVISIONS		DATE	BY	APPV
1	SEE SHEET 1			

PART NUMBER	ROWS	POWER						SIGNAL				
		P1	P2	P3	P4	P5	P6	1	2	3	4	5
2-6450122-3	D C B A	PM	PM	PM	PM	PM	PM	J	J	J	J	J
								K	K	K	K	K
								N	N	N	N	N
6P + 20S												

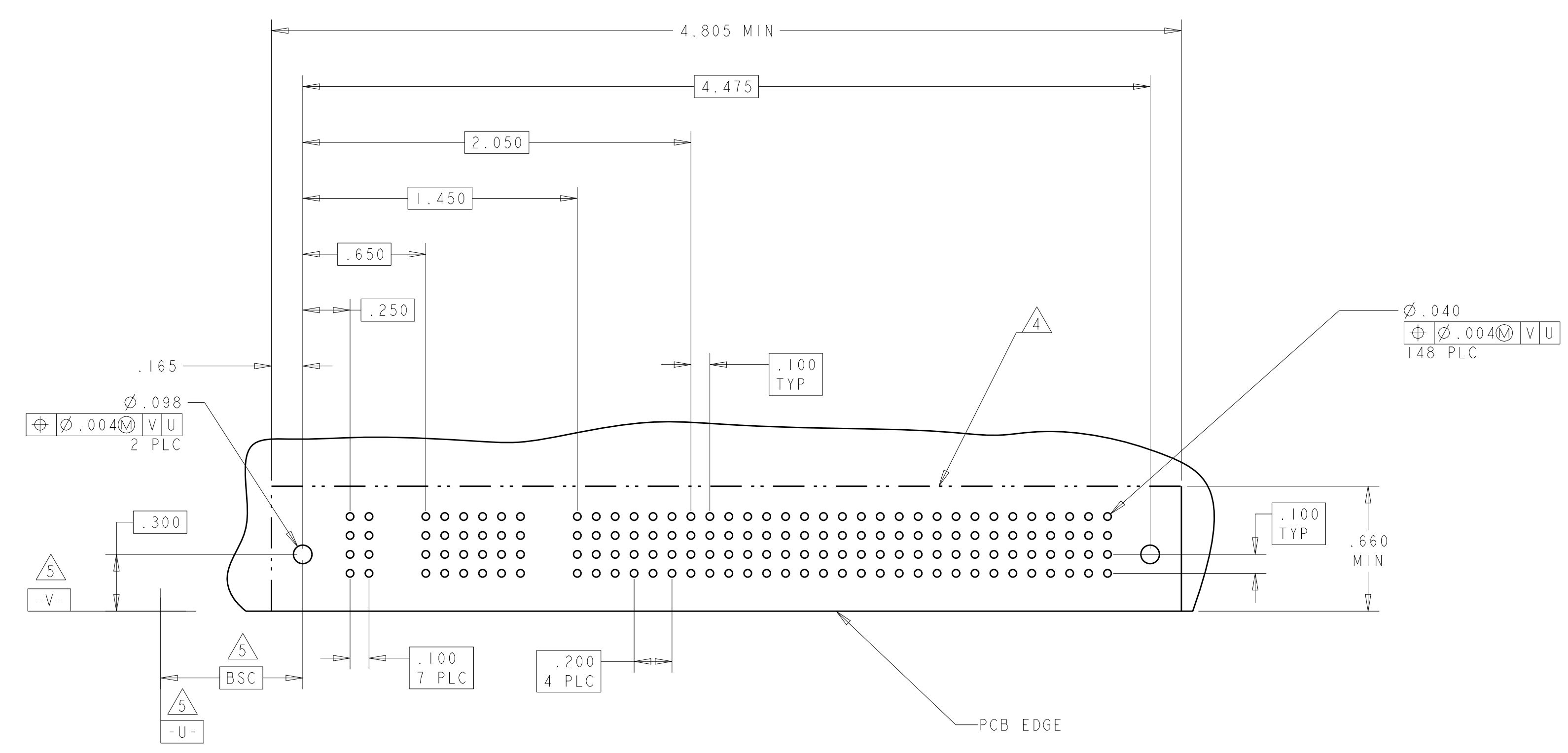
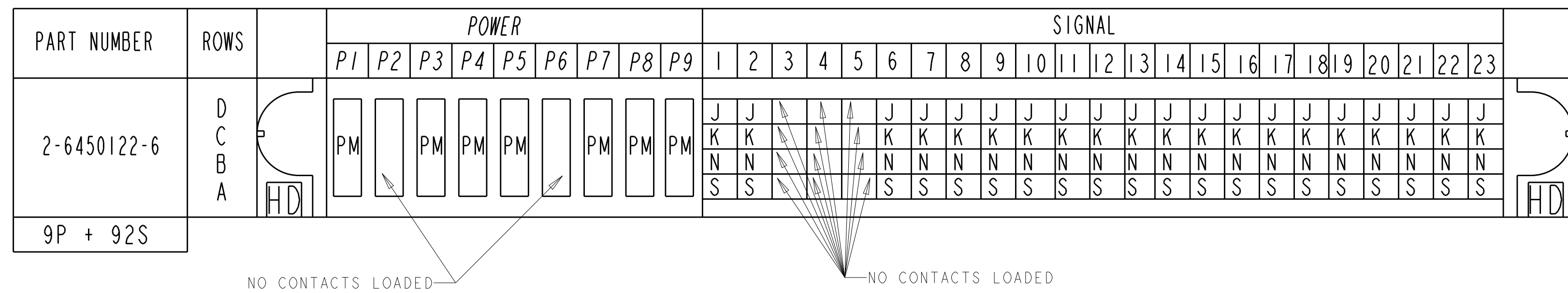
PART NUMBER	ROWS	POWER		SIGNAL																			
		P1	P2	1	2	3	4	5	6	7	8	9	10	11	12	13	14	15	16	17	18	19	
2-6450122-4	D C B A	PA	PA	Z	Z	Z	Z	Z	Z	Z	Z	Z	Z	Z	Z	Z	Z	Z	Z	Z	Z	Z	
				Y	Y	Y	Y	Y	Y	Y	Y	Y	Y	Y	Y	Y	Y	Y	Y	Y	Y	Y	Y
				R	R	R	R	R	R	R	R	R	R	R	R	R	R	R	R	R	R	R	R
2P + 76S																							



PART NUMBER	ROWS	POWER								SIGNAL					
		P1	P2	P3	P4	P5	P6	P7	P8	1	2	3	4	5	6
2-6450122-5	D C B A	PM	PM	PM	PM	PM	PM	PM	PM	J	J	J	J	J	J
										K	K	K	K	K	K
										N	N	N	N	N	N
8P + 24S															

THIS DRAWING IS A CONTROLLED DOCUMENT.		OWN: R. GRZYBOWSKI 02FEB05	 TE Connectivity
DIMENSIONS: INCHES		CHK: M. PERCHERKE 02FEB05	
TOLERANCES UNLESS OTHERWISE SPECIFIED:		APVD: M. PERCHERKE	NAME: RIGHT ANGLE HEADER ASSY W/GUIDES MULTI-BEAM XL
0 PLC ±.01 2 PLC ±.01 3 PLC ±.01 4 PLC ±.005 5 PLC ±.005 6 PLC ±.0020 ANGLES ±.020		PRODUCT SPEC: 108-1973	SIZE: A1
MATERIAL: FINISH:		APPLICATION SPEC: 114-13038	CAGE CODE: 6450122
		WEIGHT:	SCALE: 4:1
		CUSTOMER DRAWING	SHEET 7 OF 10

LOC	DIST	REVISIONS			
P	LTN	DESCRIPTION	DATE	DWN	APVD
-	-	SEE SHEET 1	-	-	-

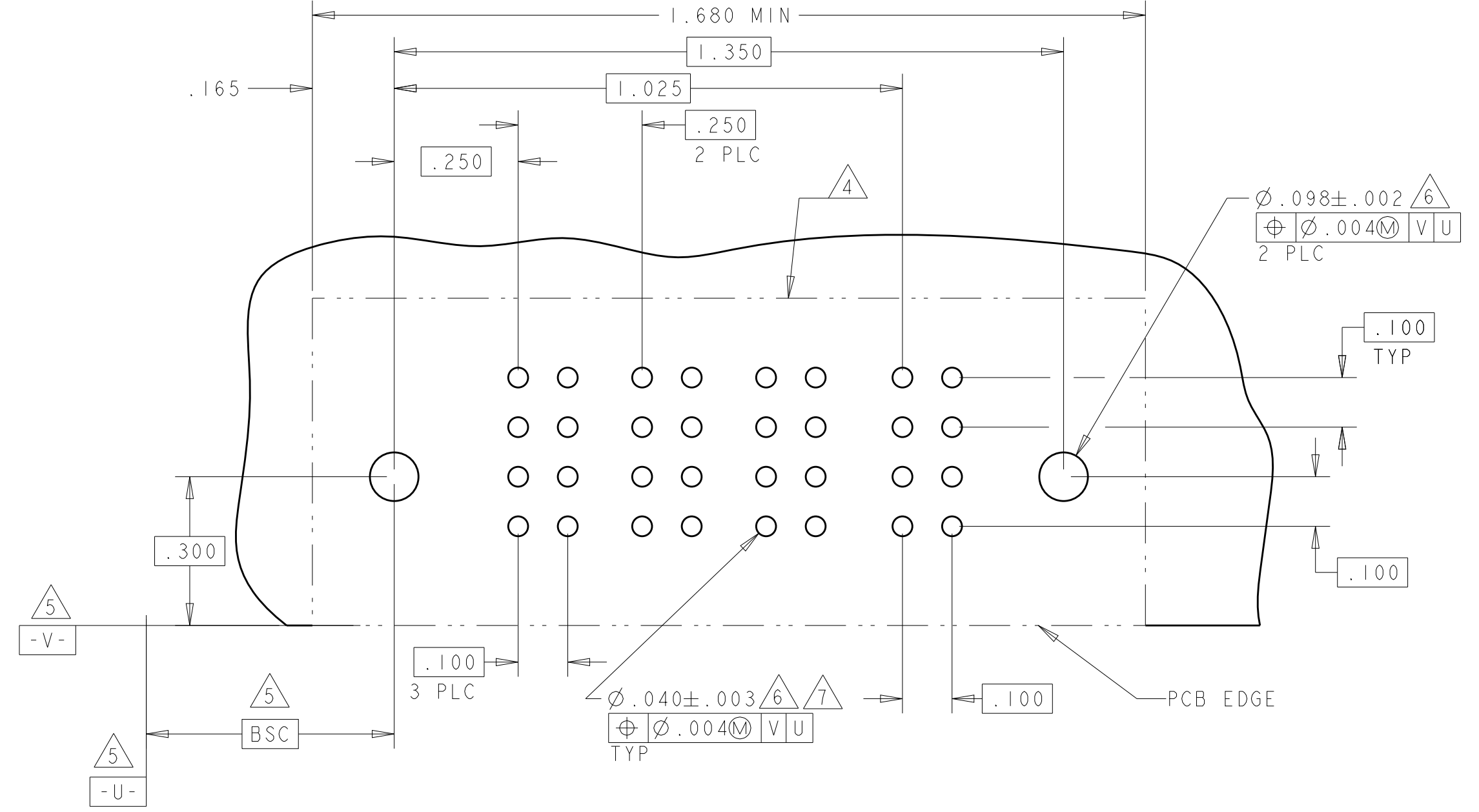
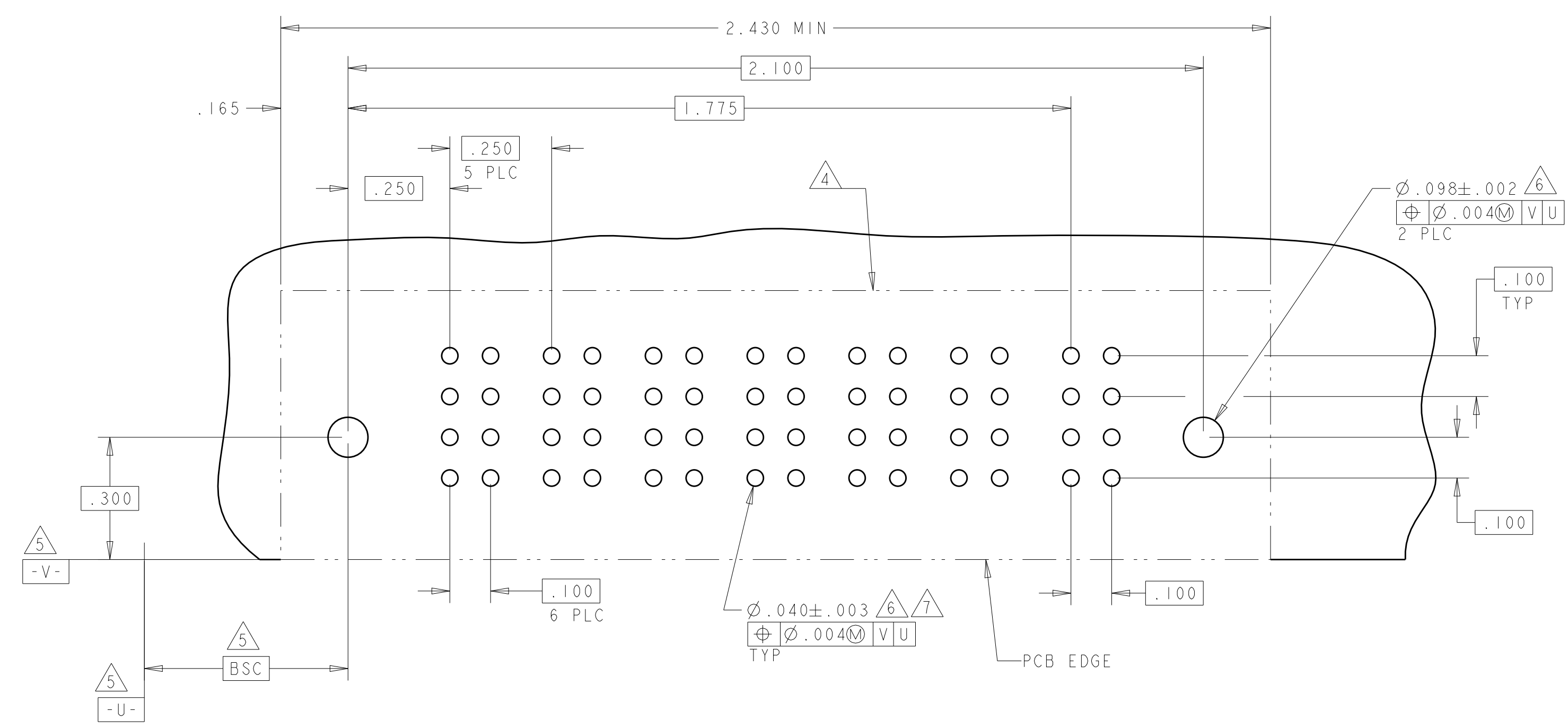


THIS DRAWING IS A CONTROLLED DOCUMENT.		DWN: R. GRZYBOWSKI 02FEB05	 TE Connectivity
DIMENSIONS: INCHES		CHK: M. PERCHERKE 02FEB05	
TOLERANCES UNLESS OTHERWISE SPECIFIED: 0 PLC ±. 1 PLC ±.01 2 PLC ±.01 3 PLC ±.005 4 PLC ±.0020 ANGLES ±.2		APVD: M. PERCHERKE	NAME: RIGHT ANGLE HEADER ASSY W/GUIDES MULTI-BEAM XL
MATERIAL: -		PRODUCT SPEC: 108-1973	SIZE: 114-13038
FINISH: -		APPLICATION SPEC: -	RESTRICTED TO: -
CUSTOMER DRAWING		WEIGHT: -	SCALE: 4:1 SHEET 8 OF 10 REV: E9

LOC		DIST		REVISONS			
GP	00	P	LYR	DESCRIPTION	DATE	OWN	APVD
-	-	-	-	SEE SHEET 1	-	-	-

PART NUMBER	ROWS	POWER	SIGNAL	
			1	2
2-6450122-7	D	PM	J	J
	C	PM	K	K
	B	PM	N	N
	A	PM	S	S
	HD			
6P + 8S				

PART NUMBER	ROWS	POWER	SIGNAL	
			1	2
2-6450122-8	D	PM	J	J
	C	PM	K	K
	B	PM	N	N
	A		S	S
	HD			
3P + 8S				

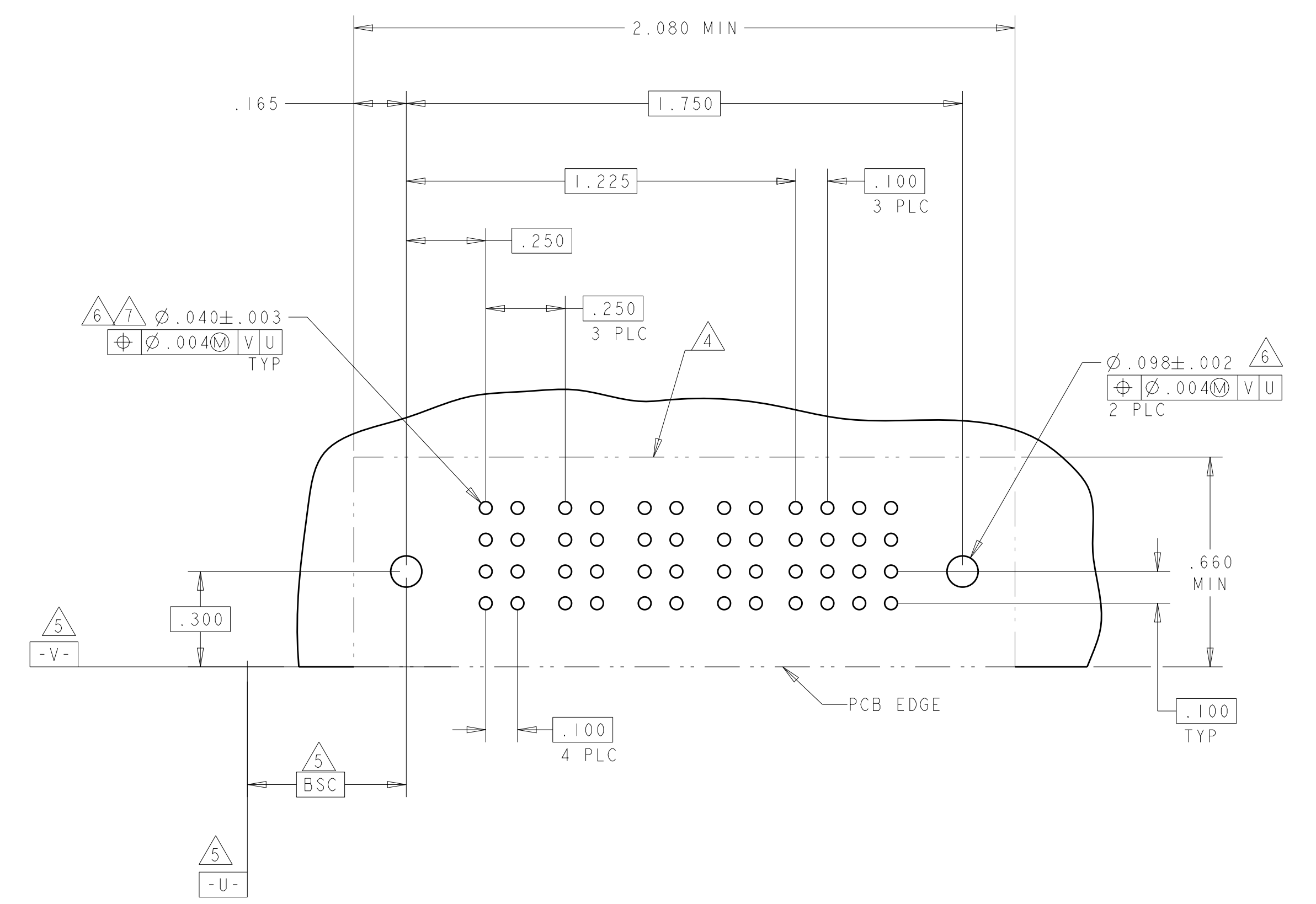
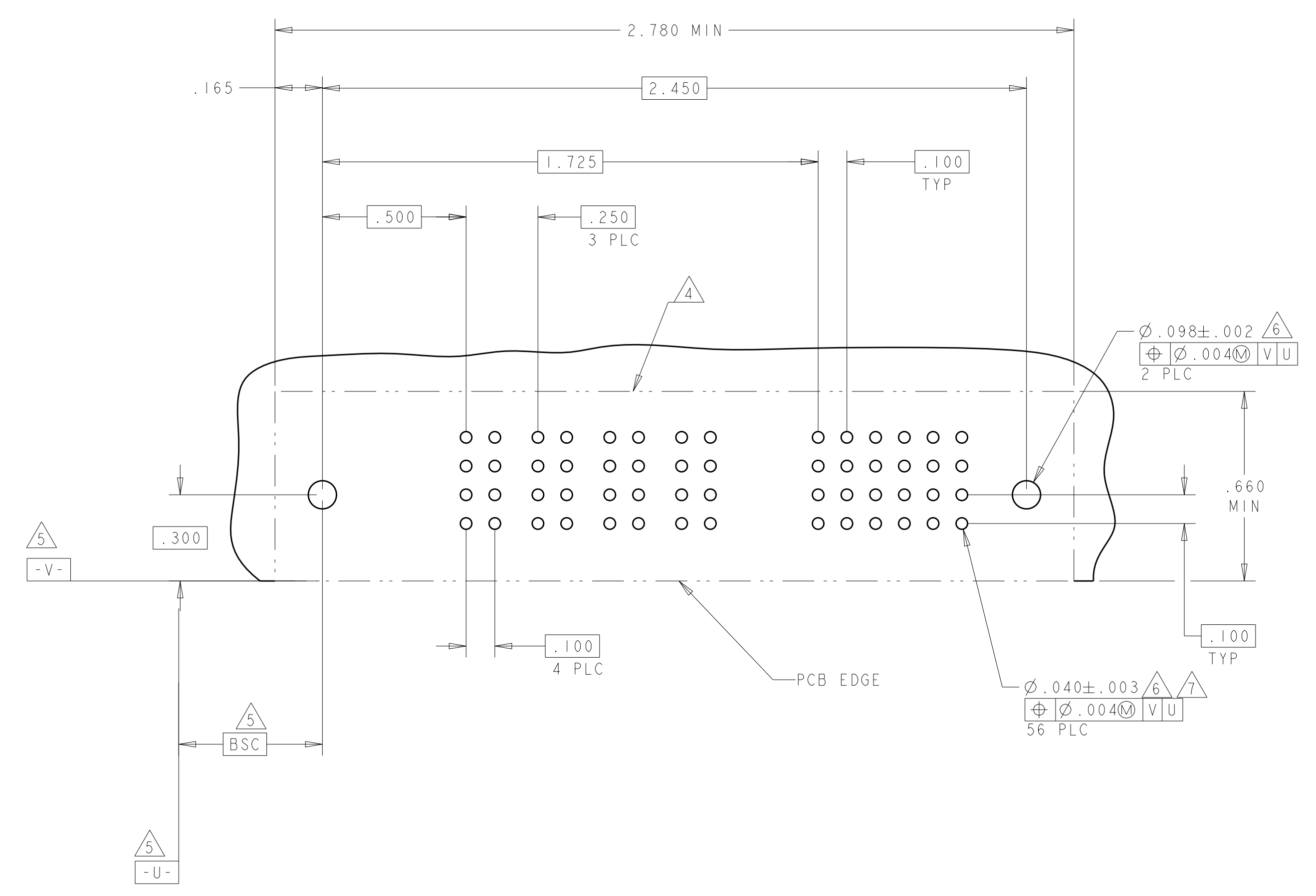


THIS DRAWING IS A CONTROLLED DOCUMENT.		OWN: R. GRZYBOWSKI 02FEB05	TE Connectivity
DIMENSIONS: INCHES		CHK: M. PERCHERKE 02FEB05	
TOLERANCES UNLESS OTHERWISE SPECIFIED:		APVD: M. PERCHERKE	NAME: RIGHT ANGLE HEADER ASSY W/GUIDES MULTI-BEAM XL
0 PLC ±.01		PRODUCT SPEC: 108-1973	SIZE: CAGE CODE DRAWING NO: A100779C=6450122
1 PLC ±.01		APPLICATION SPEC: 114-13038	RESTRICTED TO: -
2 PLC ±.01		WEIGHT: -	SCALE: 4:1 SHEET 9 OF 10 REV: E9
3 PLC ±.005		CUSTOMER DRAWING	
4 PLC ±.0020			
ANGLES ±.2			
FINISH: -			

LOC	DIST	REV	DATE	BY	APPV
GP	00				
REVISIONS			DESCRIPTION	DATE	BY
			SEE SHEET 1	-	-

PART NUMBER	ROWS	POWER						SIGNAL							
		P1	P2	P3	P4	P5	P6	1	2	3	4	5	6		
2-6450122-9	D							J	J	J	J	J	J		
	C		PM	PM	PM	PM		K	K	K	K	K	K		
	B							N	N	N	N	N	N		
A								S	S	S	S	S	S		
		HD							HD						
		NO CONTACTS LOADED													
6P + 24S															

PART NUMBER	ROWS	POWER				SIGNAL					
		P1	P2	P3	P4	1	2	3	4		
3-6450122-0	D					J	J	J	J		
	C		PM	PM	PM	K	K	K	K		
	B					N	N	N	N		
A						S	S	S	S		
		HD					HD				
4P + 16S											



THIS DRAWING IS A CONTROLLED DOCUMENT.		OWN: R. GRZYBOWSKI 02FEB05	TE Connectivity										
DIMENSIONS: INCHES		CHK: M. PERCHERKE 02FEB05											
TOLERANCES UNLESS OTHERWISE SPECIFIED:		APVD: M. PERCHERKE	NAME: RIGHT ANGLE HEADER ASSY W/GUIDES MULTI-BEAM XL										
<table border="1"> <tr><td>0 PLC</td><td>±</td></tr> <tr><td>2 PLC</td><td>±.01</td></tr> <tr><td>3 PLC</td><td>±.005</td></tr> <tr><td>4 PLC</td><td>±.0020</td></tr> <tr><td>ANGLES</td><td>±.2</td></tr> </table>		0 PLC	±	2 PLC	±.01	3 PLC	±.005	4 PLC	±.0020	ANGLES	±.2	PRODUCT SPEC: 108-1973	SIZE: A
0 PLC	±												
2 PLC	±.01												
3 PLC	±.005												
4 PLC	±.0020												
ANGLES	±.2												
MATERIAL: -		APPLICATION SPEC: 114-13038	CAGE CODE: 6450122										
FINISH: -		WEIGHT: -	DRAWING NO: 100779										
		CUSTOMER DRAWING	SCALE: 4:1 SHEET 10 OF 10 REV: E9										