



Chipsmall Limited consists of a professional team with an average of over 10 year of expertise in the distribution of electronic components. Based in Hongkong, we have already established firm and mutual-benefit business relationships with customers from,Europe,America and south Asia,supplying obsolete and hard-to-find components to meet their specific needs.

With the principle of “Quality Parts,Customers Priority,Honest Operation,and Considerate Service”,our business mainly focus on the distribution of electronic components. Line cards we deal with include Microchip,ALPS,ROHM,Xilinx,Pulse,ON,Everlight and Freescale. Main products comprise IC,Modules,Potentiometer,IC Socket,Relay,Connector.Our parts cover such applications as commercial,industrial, and automotives areas.

We are looking forward to setting up business relationship with you and hope to provide you with the best service and solution. Let us make a better world for our industry!



## Contact us

Tel: +86-755-8981 8866 Fax: +86-755-8427 6832

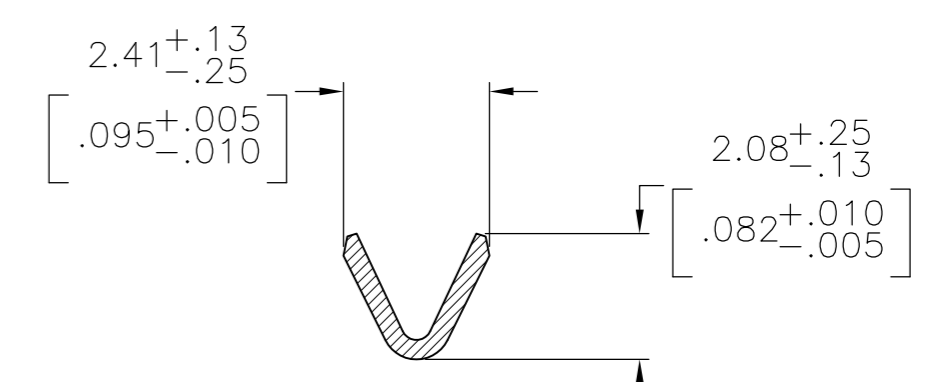
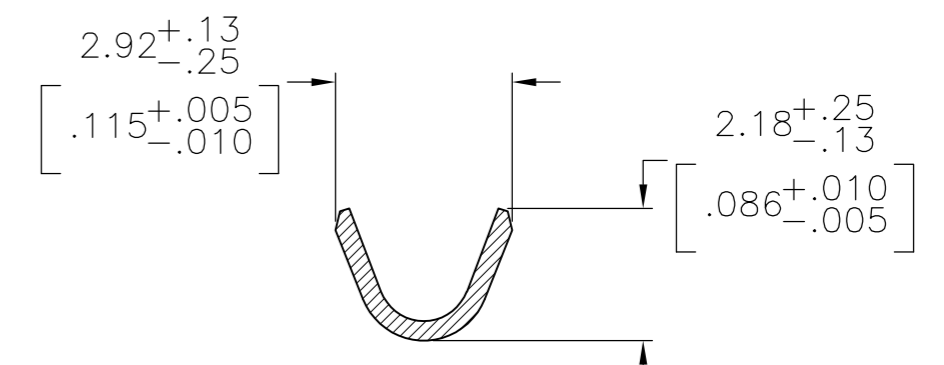
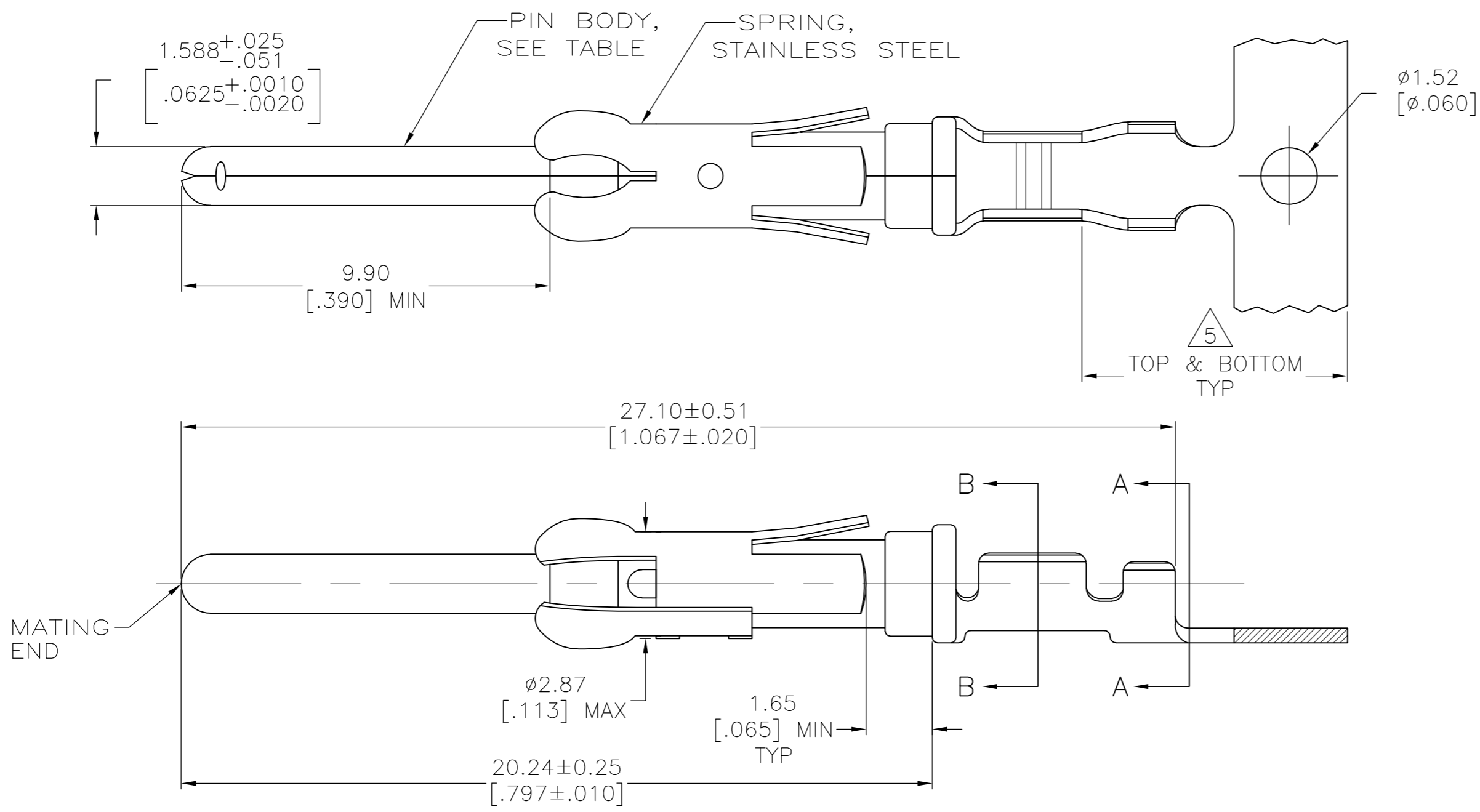
Email & Skype: info@chipsmall.com Web: www.chipsmall.com

Address: A1208, Overseas Decoration Building, #122 Zhenhua RD., Futian, Shenzhen, China



THIS DRAWING IS UNPUBLISHED. RELEASED FOR PUBLICATION  
 © COPYRIGHT - By - ALL RIGHTS RESERVED.

LOC	DIST	REVISIONS					
FT	0	P	LTR	DESCRIPTION	DATE	DWN	APVD
		AV		REVISED PER ECO-12-012316	05JUL12	KH	MZ



- 1 REVERSE REELED FOR MINI-APPLICATOR.
- 2  $0.76\mu\text{m}$  [ $.000030$ ] MIN PRECIOUS METAL PLATE ON MATING END FOR A LENGTH OF  $5.08$  [ $.200$ ] MIN WITH  $1.27\mu\text{m}$  [ $.000050$ ] MIN MATTE TIN PLATE IN WIRE CRIMP AREA, BOTH OVER  $1.27\mu\text{m}$  [ $.000050$ ] MIN NICKEL PLATE. CONFORMS TO THE REQUIREMENTS OF TE CONNECTIVITY PRODUCT SPEC 108-10042, BASED ON EIA/ECA-364-1000.01 ( CONTROLLED ENVIRONMENT APPLICATIONS ),
- 3  $0.76\mu\text{m}$  [ $.000030$ ] MIN PRECIOUS METAL PLATE ON MATING END FOR A LENGTH OF  $5.08$  [ $.200$ ] MIN WITH A UNIFORM GRADIENT TO  $0.25\mu\text{m}$  [ $.000010$ ] MIN ON REMAINDER, OVER  $1.27\mu\text{m}$  [ $.000050$ ] MIN NICKEL PLATE. GOLD FLASH ALL OVER. CONFORMS TO THE REQUIREMENTS OF TE CONNECTIVITY PRODUCT SPEC 108-10042, BASED ON EIA/ECA-364-1000.01 ( CONTROLLED ENVIRONMENT APPLICATIONS ).
- 4  $0.38\mu\text{m}$  [ $.000015$ ] MIN GOLD PER MIL-G-45204 ON MATING END FOR A LENGTH OF  $5.08$  [ $.200$ ] MIN WITH  $1.27\mu\text{m}$  [ $.000050$ ] MIN MATTE TIN PLATE IN WIRE CRIMP AREA, BOTH OVER  $1.27\mu\text{m}$  [ $.000050$ ] MIN NICKEL PER QQ-N-290.
- 5 GOLD PLATING NEED NOT APPEAR IN THIS AREA.
- 6  $1.27\mu\text{m}$  [ $.000050$ ] MIN GOLD PER MIL-G-45204 ON MATING END FOR A LENGTH OF  $5.08$  [ $.200$ ] MIN WITH GOLD FLASH ON THE REMAINDER OVER  $1.90\mu\text{m}$  [ $.000075$ ] MIN NICKEL PER QQ-N-290.
- 7  $1.27\mu\text{m}$  [ $.000050$ ] MIN TIN-LEAD PER MIL-T-10727 OVER  $1.27\mu\text{m}$  [ $.000050$ ] MIN NICKEL PER QQ-N-290.
- 8 WIRE RANGE 24-20 AWG.
- 9 INSULATION RANGE  $1.02$  [ $.040$ ]- $2.03$  [ $.080$ ] DIA.
- 10  $0.38\mu\text{m}$  [ $.000015$ ] MIN GOLD PER MIL-G-45204 ON MATING END FOR A LENGTH OF  $5.08$  [ $.200$ ] MIN,  $1.27\mu\text{m}$  [ $.000050$ ] MIN TIN-LEAD PER MIL-T-10727 FOR A LENGTH OF  $5.69$  [ $.224$ ] MIN ON OPPOSITE END, BOTH OVER  $1.27\mu\text{m}$  [ $.000050$ ] MIN NICKEL PER QQ-N-290 ON ENTIRE CONTACT.
- 11  $1.27\mu\text{m}$  [ $.000050$ ] MIN TIN PER MIL-T-10727 OVER  $1.27\mu\text{m}$  [ $.000050$ ] MIN NICKEL PER QQ-N-290.
- 12  $0.38\mu\text{m}$  [ $.000015$ ] MIN GOLD PER MIL-G-45204 ON MATING END FOR A LENGTH OF  $5.08$  [ $.200$ ] MIN,  $1.27\mu\text{m}$  [ $.000050$ ] MIN TIN FOR A LENGTH OF  $5.69$  [ $.224$ ] MIN ON OPPOSITE END, BOTH OVER  $1.27\mu\text{m}$  [ $.000050$ ] MIN NICKEL PER QQ-N-290 ON ENTIRE CONTACT.
- 13  $2.54\mu\text{m}$  [ $.000100$ ] MIN SILVER OVER  $0.76\mu\text{m}$  [ $.000030$ ] MIN NICKEL PER QQ-N-290
- 14 OBSOLETE PARTS: OBSOLETE CIS STREAMLINING PER D.RENAUD/D.SINISI

14	OBSOLETE	1	13	BRASS	-	2-66102-8
		1	12	BRASS	-	-2-66102-7-
		1	11	BRASS	1-66103-8	2-66102-6
		1	11	BRASS	1-66103-8	2-66102-5
14	OBSOLETE	1	10	BRASS	4-66103-3	-2-66102-3-
	OBSOLETE	1	2	PHOSPHOR BRONZE	4-66103-2	2-66102-2
	OBSOLETE	1	7	PHOSPHOR BRONZE	1-66103-1	2-66102-1
	OBSOLETE	1	6	BRASS	1-66103-0	1-66102-7
		1	2	BRASS	66103-4	66102-9
		1	4	BRASS	66103-3	66102-8
		1	7	BRASS	66103-2	66102-7
		1	3	BRASS	66103-1	66102-6
	STANDARD		2	BRASS	66103-4	66102-4
	STANDARD		4	BRASS	66103-3	66102-3
	STANDARD		7	BRASS	66103-2	66102-2
	STANDARD		3	BRASS	66103-1	66102-1
	REELING		PIN BODY FINISH	PIN BODY	LOOSE PIECE REF	PART NO

THIS DRAWING IS A CONTROLLED DOCUMENT.

DIMENSIONS: mm [INCHES] TOLERANCES UNLESS OTHERWISE SPECIFIED:

0 PLC	± -
1 PLC	± -
2 PLC	± 0.13[.005]
3 PLC	± -
4 PLC	± -
ANGLES	± -

MATERIAL: SEE CALLOUTS FINISH: SEE TABLE

TE Connectivity  
 PIN ASSEMBLY, .062, TYPE III+

SIZE: A2 CAGE CODE: 00779 DRAWING NO: 66102 RESTRICTED TO: -

SCALE: 8:1 SHEET: 1 OF 1 REV: AV