



Chipsmall Limited consists of a professional team with an average of over 10 year of expertise in the distribution of electronic components. Based in Hongkong, we have already established firm and mutual-benefit business relationships with customers from,Europe,America and south Asia,supplying obsolete and hard-to-find components to meet their specific needs.

With the principle of “Quality Parts,Customers Priority,Honest Operation,and Considerate Service”,our business mainly focus on the distribution of electronic components. Line cards we deal with include Microchip,ALPS,ROHM,Xilinx,Pulse,ON,Everlight and Freescale. Main products comprise IC,Modules,Potentiometer,IC Socket,Relay,Connector.Our parts cover such applications as commercial,industrial, and automotives areas.

We are looking forward to setting up business relationship with you and hope to provide you with the best service and solution. Let us make a better world for our industry!



## Contact us

Tel: +86-755-8981 8866 Fax: +86-755-8427 6832

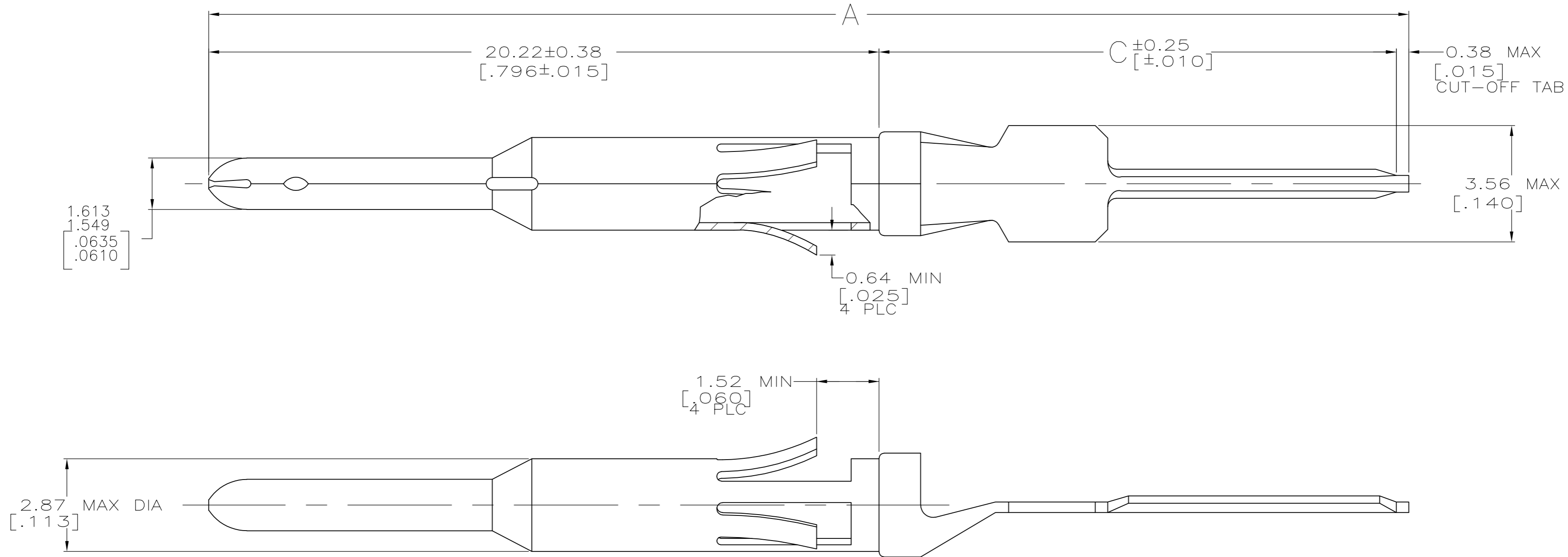
Email & Skype: info@chipsmall.com Web: www.chipsmall.com

Address: A1208, Overseas Decoration Building, #122 Zhenhua RD., Futian, Shenzhen, China



THIS DRAWING IS UNPUBLISHED. RELEASED FOR PUBLICATION  
 © COPYRIGHT - By - ALL RIGHTS RESERVED.

LOC	DIST	REVISIONS					
FT	0	P	LTR	DESCRIPTION	DATE	DWN	APVD
		G2		REVISED PER ECO-11-004820	11MAR11	RK	HMR



- ⚠ BRASS PER MIL-C-50.
- ⚠ 0.76um [.000030] MIN GOLD FOR A LENGTH OF 3.81 [.150] MIN ON CONTACT END, 1.27um [.000050] MIN TIN-LEAD ON OPPOSITE END, BOTH OVER 1.27um [.000050] MIN NICKEL ON ENTIRE CONTACT.
- 3. GOLD PLATING PER MIL-G-45204; TIN PLATING PER MIL-T-10727; NICKEL PLATING PER QQ-N-290.
- ⚠ 0.76um [.000030] MIN GOLD FOR A LENGTH OF 3.81 [.150] MIN ON CONTACT END, 1.27um [.000050] MIN TIN ON OPPOSITE END, BOTH OVER 1.27um [.000050] MIN NICKEL ON ENTIRE CONTACT.
- ⚠ OBSOLETE PARTS: OBSOLETE CIS STREAMLINING PER D.RENAUD/D.SINISI

⚠ OBSOLETE	25.91 [1.020]	46.51 [1.831]	2-66730-1
⚠ OBSOLETE	21.11 [.831]	41.71 [1.642]	1-66730-9
⚠ OBSOLETE	15.80 [.622]	36.40 [1.433]	1-66730-7
	25.91 [1.020]	46.51 [1.831]	66730-9
	21.11 [.831]	41.71 [1.642]	66730-6
	15.80 [.622]	36.40 [1.433]	66730-3
	C	A	PART NUMBER

THIS DRAWING IS A CONTROLLED DOCUMENT.		DWN	07/09/92	<b>STE</b> TE Connectivity	
		CHK	7-10-92		
DIMENSIONS: mm [INCHES]		TOLERANCES UNLESS OTHERWISE SPECIFIED:		NAME	
		0 PLC	± -	CONTACT, PIN, TYPE VI, POSTED	
		1 PLC	± -	-	
		2 PLC	± 0.13 [.005]	-	
		3 PLC	± -	-	
MATERIAL		4 PLC	± -	SIZE	CAGE CODE
FINISH		ANGLES	± -	A2	00779
		FINISH	± -	DRAWING NO	
				C=66730	
				SCALE	SHEET
				10:1	1 OF 1
				REV	G2