



Chipsmall Limited consists of a professional team with an average of over 10 year of expertise in the distribution of electronic components. Based in Hongkong, we have already established firm and mutual-benefit business relationships with customers from,Europe,America and south Asia,supplying obsolete and hard-to-find components to meet their specific needs.

With the principle of "Quality Parts,Customers Priority,Honest Operation,and Considerate Service",our business mainly focus on the distribution of electronic components. Line cards we deal with include Microchip,ALPS,ROHM,Xilinx,Pulse,ON,Everlight and Freescale. Main products comprise IC,Modules,Potentiometer,IC Socket,Relay,Connector.Our parts cover such applications as commercial,industrial, and automotives areas.

We are looking forward to setting up business relationship with you and hope to provide you with the best service and solution. Let us make a better world for our industry!



Contact us

Tel: +86-755-8981 8866 Fax: +86-755-8427 6832

Email & Skype: info@chipsmall.com Web: www.chipsmall.com

Address: A1208, Overseas Decoration Building, #122 Zhenhua RD., Futian, Shenzhen, China



THIS DRAWING IS UNPUBLISHED. RELEASED FOR PUBLICATION

© COPYRIGHT

| REVISIONS | | | | DATE | APPROVED |
|-----------|---|------|-----|---------------------------|-------------|
| P | F | ZONE | LTR | DESCRIPTION | |
| ✓ | ✓ | | F1 | REVISED PER ECO-11-005294 | 05APR11 HMR |

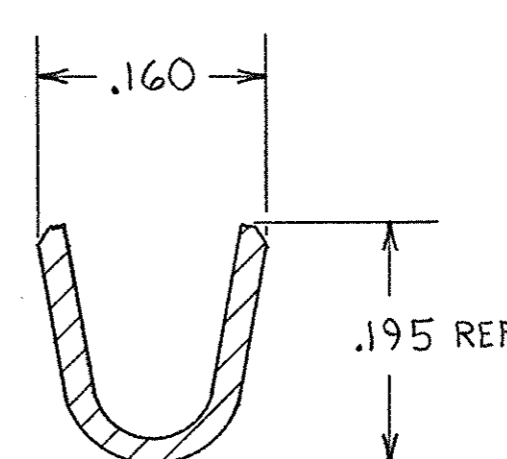
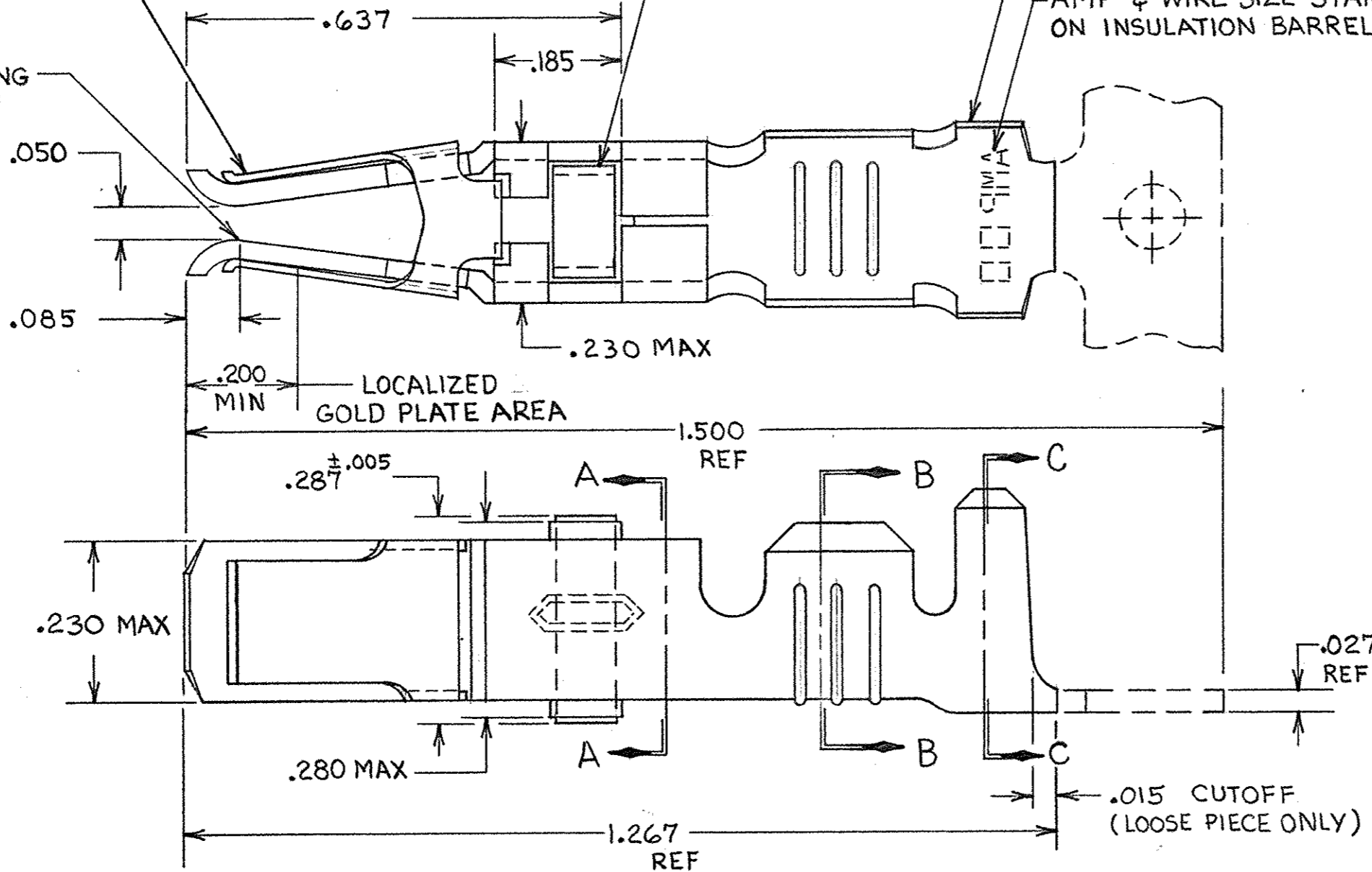
ASSIST SPRING
MATL: STAINLESS STEEL
PER QQ-S-766

TERMINAL LATCH
MATL: NYLON
COLOR: (SEE TABLE)

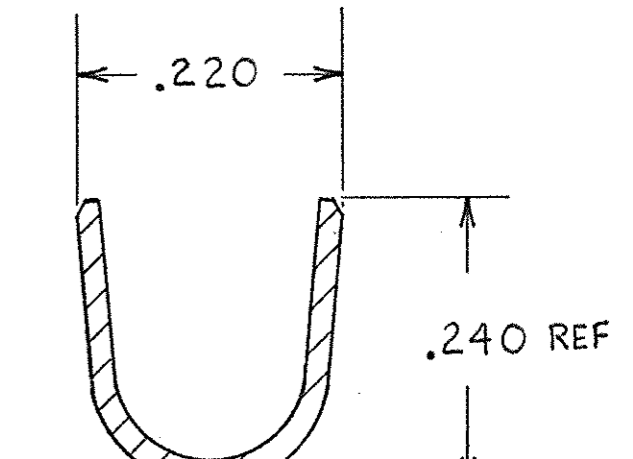
CONTACT BODY
MATL: COPPER PER QQ-C-576
FINISH: (SEE TABLE)

AMP & WIRE SIZE STAMPED
ON INSULATION BARREL

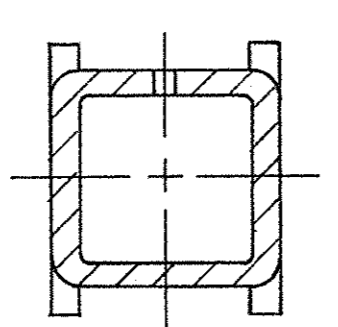
POINT OF PLATING
MEASUREMENT



SECTION B-B



SECTION C-C



SECTION A-A

- ① REELED FOR USE WITH STANDARD APPLICATORS.
- ② REELED FOR USE WITH HEAVY DUTY MINI-APPLICATORS.
- ③ PLATED WITH .000100 MIN SILVER PER QQ-S-365.
- ④ PLATED WITH .000015 MIN GOLD PER MIL-G-45204 IN THE LOCALIZED GOLD PLATE AREA, GOLD FLASH ON THE REMAINDER, OVER .000030 MIN NICKEL PER QQ-N-290.
- ⑤ PLATED WITH .000030 MIN GOLD PER MIL-G-45204 IN THE LOCALIZED GOLD PLATE AREA, GOLD FLASH ON THE REMAINDER, OVER .000030 MIN NICKEL PER QQ-N-290.
- ⑥ PLATED WITH .000050 MIN 93-7% TIN-LEAD ALLOY OVER .000030 MIN NICKEL PER QQ-N-290.

⑨ PLATED TIN (NO LEAD). 0.00050 MIN THK PER ASTM-B-595 OVER NICKEL .000030 MIN THK PER QQ-N-290.

- 7. WIRE RANGE = 12-16 AWG.
- 8. INSULATION RANGE = .140-.165 DIA.

| | | | |
|---------|---|---------------------|-------------|
| BLACK | ⑨ | 2-66740-1 | 2-66740-0/2 |
| BLACK | ⑨ | 2-66740-1 | 1-66740-9 |
| BLACK | ⑥ | 66740-8 | 1-66740-2 |
| BLACK | ⑤ | 66740-6 | 1-66740-1 |
| BLACK | ④ | OBSOLETE | 1-66740-0 |
| NATURAL | ③ | 66740-2 | 66740-9 |
| BLACK | ⑥ | 66740-8 | 66740-7 |
| BLACK | ⑤ | 66740-6 | 66740-5 |
| BLACK | ④ | OBSOLETE | 66740-3 |
| NATURAL | ③ | 66740-2 | 66740-1 |

| | | | | | |
|--|-------------|-------------|-------|---------|--|
| UNLESS OTHERWISE SPECIFIED DIMENSIONS ARE IN INCHES. TOLERANCES ON: DECIMALS ±.010 ANGLES ±.010 | CONTRACT NO | | | | |
| | DR | 9-25-85 | | | |
| | MATERIAL | SEE CALLOUT | NAME | | FEMALE TYPE XII CONTACT ASSEMBLY, WITH ASSIST SPRING |
| | FINISH | SEE DASH NO | SIZE | FSCM NO | DRAWING NO |
| | | | C | 00779 | 66740 |
| | | OTHER APPD | SCALE | NTS | SHEET |

CUSTOMER DRAWING

66740