



Chipsmall Limited consists of a professional team with an average of over 10 year of expertise in the distribution of electronic components. Based in Hongkong, we have already established firm and mutual-benefit business relationships with customers from,Europe,America and south Asia,supplying obsolete and hard-to-find components to meet their specific needs.

With the principle of “Quality Parts,Customers Priority,Honest Operation,and Considerate Service”,our business mainly focus on the distribution of electronic components. Line cards we deal with include Microchip,ALPS,ROHM,Xilinx,Pulse,ON,Everlight and Freescale. Main products comprise IC,Modules,Potentiometer,IC Socket,Relay,Connector.Our parts cover such applications as commercial,industrial, and automotives areas.

We are looking forward to setting up business relationship with you and hope to provide you with the best service and solution. Let us make a better world for our industry!



Contact us

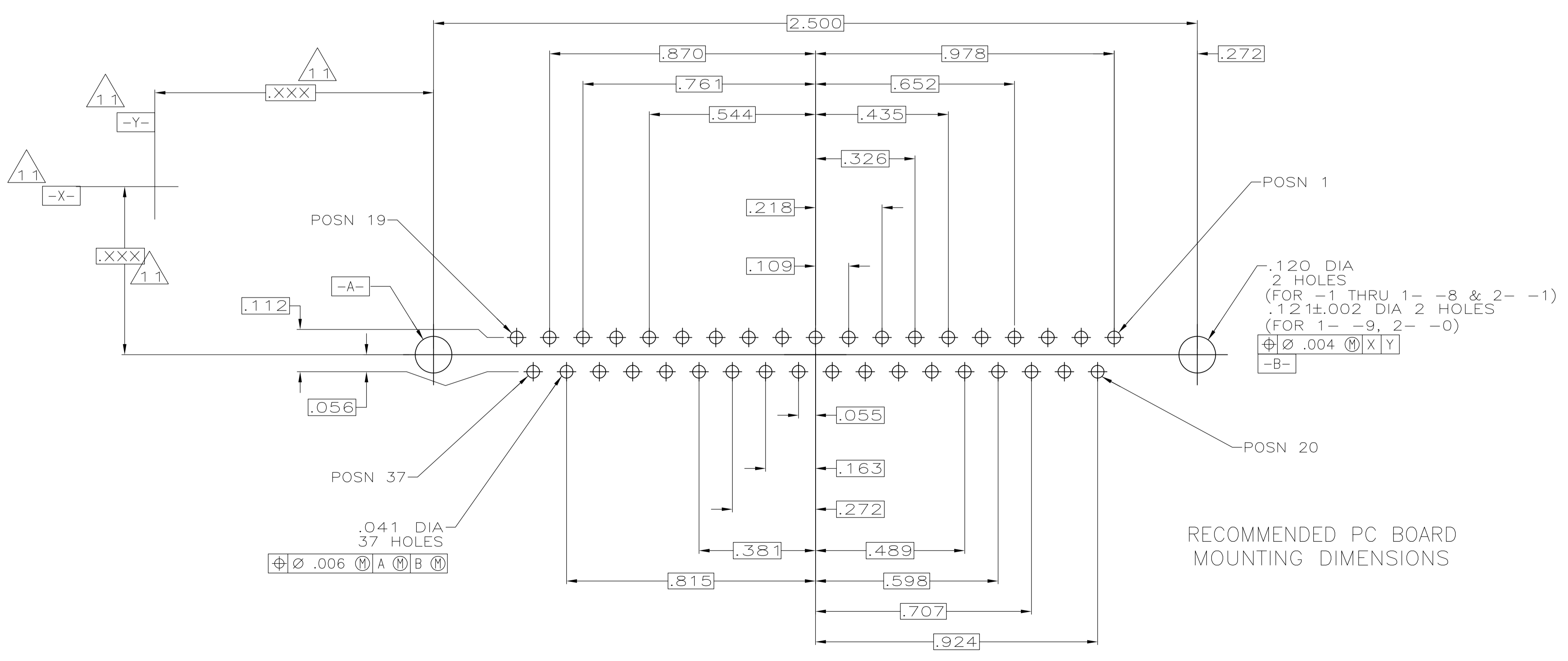
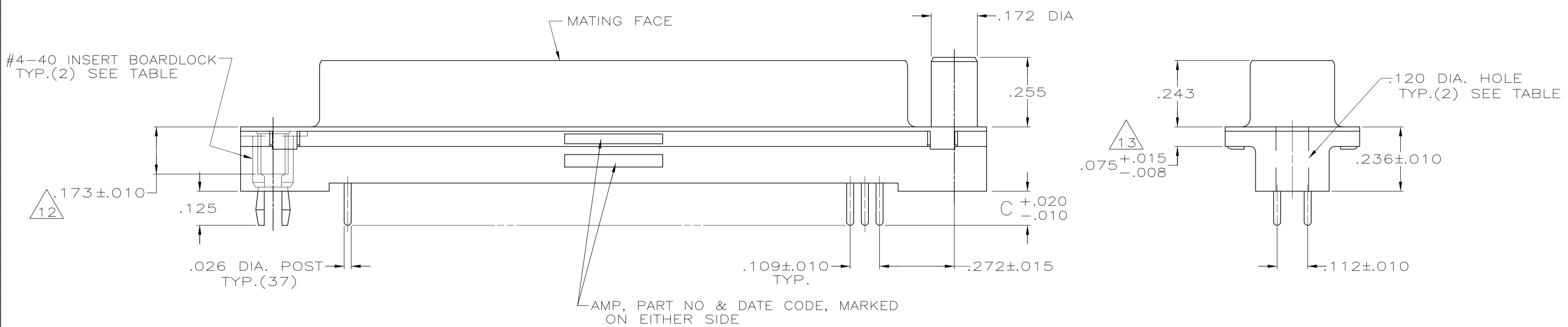
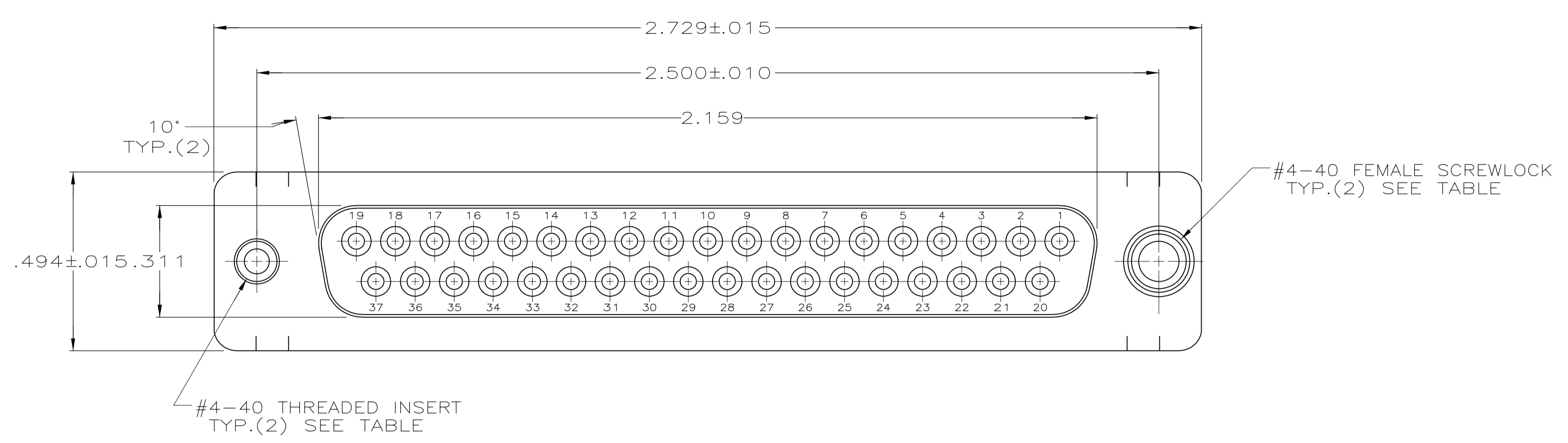
Tel: +86-755-8981 8866 Fax: +86-755-8427 6832

Email & Skype: info@chipsmall.com Web: www.chipsmall.com

Address: A1208, Overseas Decoration Building, #122 Zhenhua RD., Futian, Shenzhen, China



REVISIONS				
P	LTR	DESCRIPTION	DATE	APP'D
N		REVISED PER ECO-16-001548	08MAR2016	AP DG



- △ HOUSING: FLAME RETARDANT 94V-0 RATED THERMOPLASTIC; COLOR: BLACK.
- △ SHELL: CARBON STEEL.
- △ CONTACTS: PHOS. BRONZE.
- △ INSERTS & BOARDLOCKS: BRASS
- SCREWLOCKS: ZINC.
- 5. NOTE DELETED.
- △ SHELL: .000200 MIN TIN OVER .000100 MIN COPPER.
- △ INSERTS: UNPLATED, SCREWLOCKS: UNPLATED, BOARDLOCKS: TIN OVER COPPER.
- △ CONTACTS: GOLD FLASH FOR LENGTH OF .100 MIN FROM MATING END, .000100-.000200 BRIGHT TIN OR BRIGHT TIN LEAD ON TERMINATION END, ALL OVER .000050 NICKEL ON ENTIRE CONTACT.
- △ CONTACTS: .000030 GOLD FOR LENGTH OF .100 MIN FROM MATING END, .000100-.000200 BRIGHT TIN OR BRIGHT TIN LEAD ON TERMINATION END, ALL OVER .000050 NICKEL ON ENTIRE CONTACT.
- 10. NOTE DELETED.
- △ DATUMS AND BASIC DIMENSIONS ESTABLISHED BY CUSTOMER.
- △ RECOMMENDED SCREWLOCK IS 5747877-3 WITH RETENTION INSERTS.
- △ .110 MAX IN SHELL TAB CLINCH AREAS.

SUPERSEDED BY 1-747301-6	WITH FEMALE SCREWLOCKS	△	.170	2-747709-1
	WITH INSERT BOARDLOCKS	△	.125	2-747709-0
	OBSOLETE	△	.125	1-747709-9
	OBSOLETE	△	.250	1-747709-8
SUPERSEDED BY 1-747301-6	WITH FEMALE SCREWLOCKS	△	.250	1-747709-7
	OBSOLETE	△	.170	1-747709-6
	OBSOLETE	△	.170	1-747709-5
	OBSOLETE	△	.125	1-747709-4
	OBSOLETE	△	.125	1-747709-3
	OBSOLETE	△	.250	1-747709-2
	OBSOLETE	△	.250	1-747709-1
	OBSOLETE	△	.170	1-747709-0
	WITH THREADED INSERTS	△	.170	747709-9
SUPERSEDED BY 747301-8		△	.125	747709-8
SUPERSEDED BY 747301-7		△	.125	747709-7
	OBSOLETE	△	.250	747709-6
	OBSOLETE	△	.250	747709-5
	OBSOLETE	△	.170	747709-4
	OBSOLETE	△	.170	747709-3
	OBSOLETE	△	.125	747709-2
	OBSOLETE	△	.125	747709-1

THIS DRAWING IS A CONTROLLED DOCUMENT.

DIMENSIONS: INCHES	TOLERANCES UNLESS OTHERWISE SPECIFIED:	DIN S. WELDON 2-27-85	APVD J. GERACE 2-27-85	NAME R. BAER/R. BRANDT
0 PLC ± -	1 PLC ± -	2 PLC ± -	3 PLC ± .005	4 PLC ± -
ANGLES ± -				
MATERIAL	FINISH	WEIGHT	SIZE A1	SCALE NTS
1 2 3 4	6 7 8 9		00779	1 of 1

RECEPTACLE ASSEMBLY, SIZE 4, 37 POS., VERTICAL, .026 DIA. DUPLEX PLATED POSTS, FRONT SHELL, AMPLIMITE

108-40025

114-40023

747709

CUSTOMER DRAWING