



Chipsmall Limited consists of a professional team with an average of over 10 year of expertise in the distribution of electronic components. Based in Hongkong, we have already established firm and mutual-benefit business relationships with customers from,Europe,America and south Asia,supplying obsolete and hard-to-find components to meet their specific needs.

With the principle of “Quality Parts,Customers Priority,Honest Operation,and Considerate Service”,our business mainly focus on the distribution of electronic components. Line cards we deal with include Microchip,ALPS,ROHM,Xilinx,Pulse,ON,Everlight and Freescale. Main products comprise IC,Modules,Potentiometer,IC Socket,Relay,Connector.Our parts cover such applications as commercial,industrial, and automotives areas.

We are looking forward to setting up business relationship with you and hope to provide you with the best service and solution. Let us make a better world for our industry!



Contact us

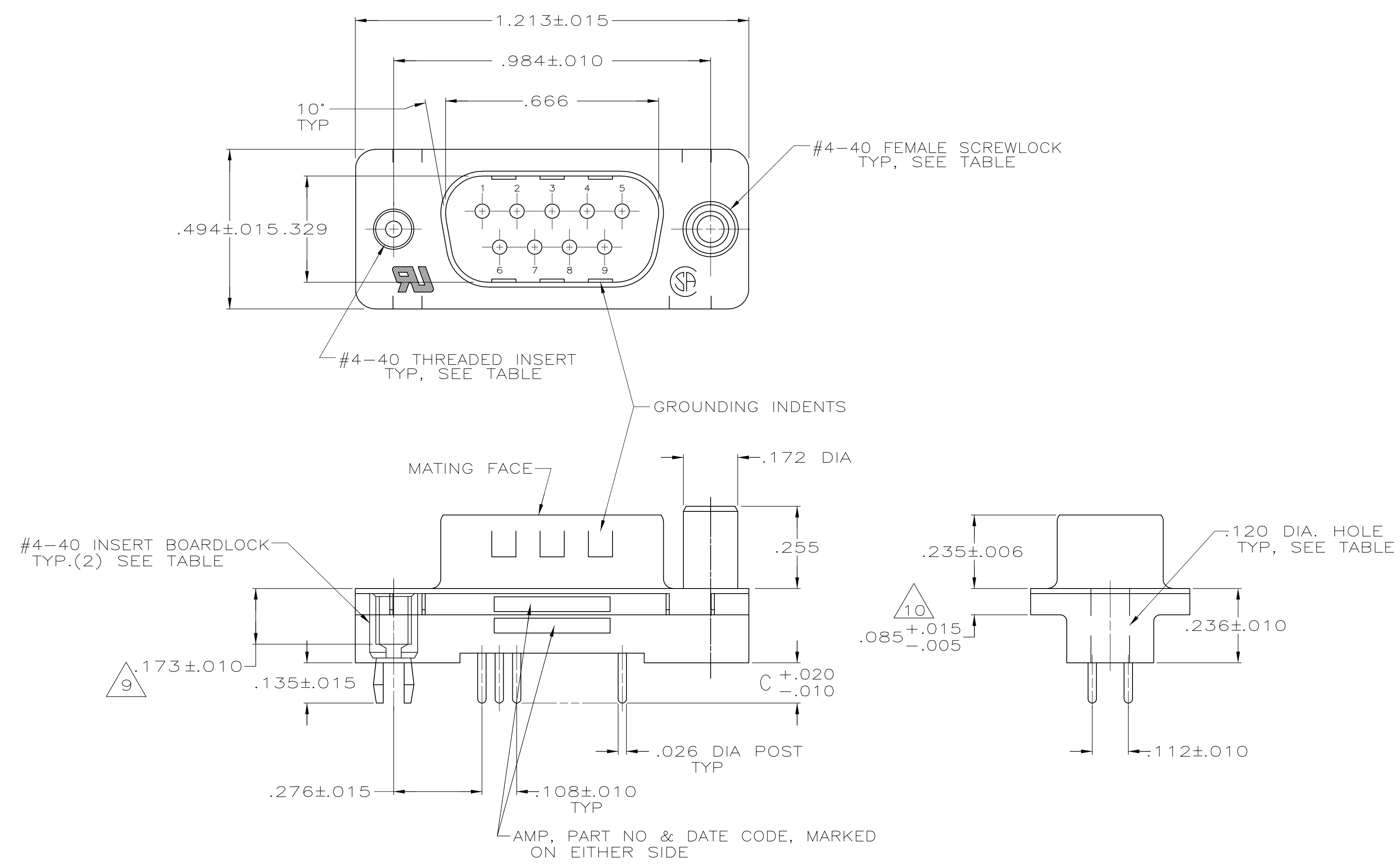
Tel: +86-755-8981 8866 Fax: +86-755-8427 6832

Email & Skype: info@chipsmall.com Web: www.chipsmall.com

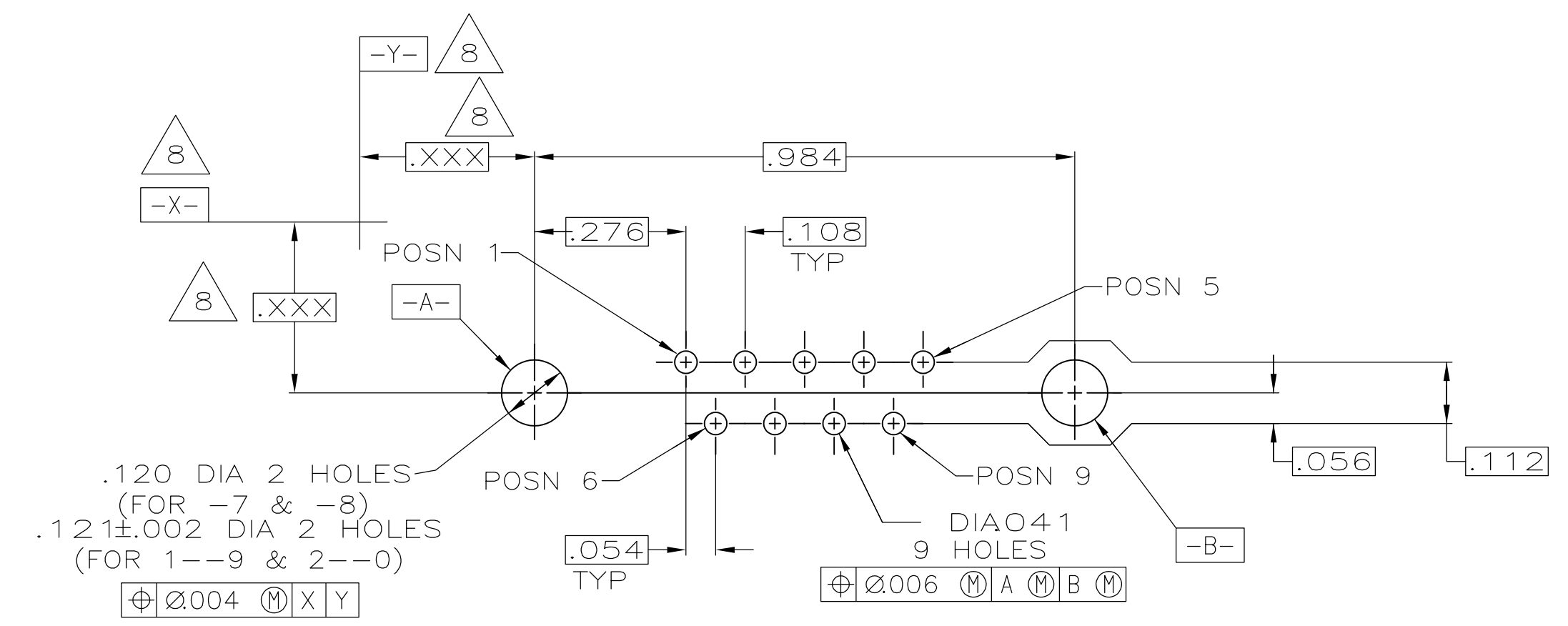
Address: A1208, Overseas Decoration Building, #122 Zhenhua RD., Futian, Shenzhen, China



REVISIONS				
P	LTR	DESCRIPTION	DATE	APP'D
M		REVISED PER ECO-16-001548	24FEB2016	AP DG



- △ HOUSING: FLAME RETARDANT 94V-0 RATED THERMOPLASTIC, BLACK
SHELLS: CARBON STEEL
CONTACTS: BRASS
INSERTS AND RETENTION INSERTS: BRASS
SCREWLOCKS: ZINC
- △ SHELLS: .000200 MIN TIN OVER .000100 MIN COPPER.
INSERTS: UNPLATED.
RETENTION INSERTS: .00150 MIN TIN-LEAD OVER .000100 MIN COPPER.
SCREWLOCKS: UNPLATED.
CONTACTS: SEE TABLE.
- △ GOLD FLASH FOR A LENGTH OF .150 MIN FROM MATING END, .000100-.000200 BRIGHT TIN OR BRIGHT TIN-LEAD ON SOLDER END, ALL OVER .000050 MIN NICKEL ON ENTIRE CONTACT.
- △ GOLD PLATED FOR A LENGTH OF .150 FROM MATING END, .000030 MIN GOLD IN MATED AREA, .000100-.000200 BRIGHT TIN OR BRIGHT TIN-LEAD ON SOLDER END, ALL OVER .000050 MIN NICKEL ON ENTIRE CONTACT.
-OR-
GOLD FLASH OVER PALLADIUM NICKEL PLATED FOR LENGTH OF .150 FROM MATING END, .000030 MIN PALLADIUM NICKEL IN MATED AREA, .000100-.000200 BRIGHT TIN OR BRIGHT TIN-LEAD ON SOLDER END, ALL OVER .000050 MIN NICKEL ON ENTIRE CONTACT.
- 5. NOTE DELETED.
- △ VERSION AVAILABLE UPON REQUEST.
- △ OBSOLETE PART NUMBER.
- △ DATUMS AND BASIC DIMENSIONS ESTABLISHED BY CUSTOMERS.
- △ RECOMMENDED SCREWLOCK IS 5747877-3 WITH RETENTION INSERTS.
- △ .110 MAX IN SHELL TAB CLINCH AREAS.



PC BOARD MOUNTING DIMENSIONS
CONNECTOR SIDE OF BOARD
.062 PC BOARD THICKNESS

WITH	RETENTION INSERTS	△	.125	2-748003-0
SUPSD BY 2-748003-0		△	.125	1-748003-9
WITH FEMALE SCREWLOCKS		△	.250	△
		△	.250	△
		△	.170	△
		△	.170	△
		△	.125	△
WITH THREADED INSERTS		△	.250	△
		△	.170	△
		△	.170	△
		△	.125	748003-8
		△	.125	△ 748003-7
WITH .120 DIA. HOLE		△	.250	△
		△	.250	△
		△	.170	△
		△	.170	△
		△	.125	△
REMARKS	CONTACT FINISH	DIM A	PART NUMBER	

THIS DRAWING IS A CONTROLLED DOCUMENT.

DIMENSIONS: INCHES	TOLERANCES UNLESS OTHERWISE SPECIFIED:	DIN S. WELDON 2-27-85	APVD R. BRANDT 2-27-85	NAME	PLUG ASSEMBLY, SIZE 1, 9 POS., VERTICAL, .026 DIA. DUPLEX PLATED TM
0 PLC ± -	1 PLC ± -	2 PLC ± -	3 PLC ± .005	4 PLC ± -	ANGLES ± °
MATERIAL	FINISH	WEIGHT	SIZE	CAGE CODE	DRAWING NO
			A1	00779	748003
CONTACTS: SEE TABLE		CUSTOMER DRAWING		SCALE	NTS
		SHEET 1 OF 1		REV M	

STE TE Connectivity