



Chipsmall Limited consists of a professional team with an average of over 10 year of expertise in the distribution of electronic components. Based in Hongkong, we have already established firm and mutual-benefit business relationships with customers from,Europe,America and south Asia,supplying obsolete and hard-to-find components to meet their specific needs.

With the principle of “Quality Parts,Customers Priority,Honest Operation,and Considerate Service”,our business mainly focus on the distribution of electronic components. Line cards we deal with include Microchip,ALPS,ROHM,Xilinx,Pulse,ON,Everlight and Freescale. Main products comprise IC,Modules,Potentiometer,IC Socket,Relay,Connector.Our parts cover such applications as commercial,industrial, and automotives areas.

We are looking forward to setting up business relationship with you and hope to provide you with the best service and solution. Let us make a better world for our industry!



## Contact us

Tel: +86-755-8981 8866 Fax: +86-755-8427 6832

Email & Skype: info@chipsmall.com Web: www.chipsmall.com

Address: A1208, Overseas Decoration Building, #122 Zhenhua RD., Futian, Shenzhen, China

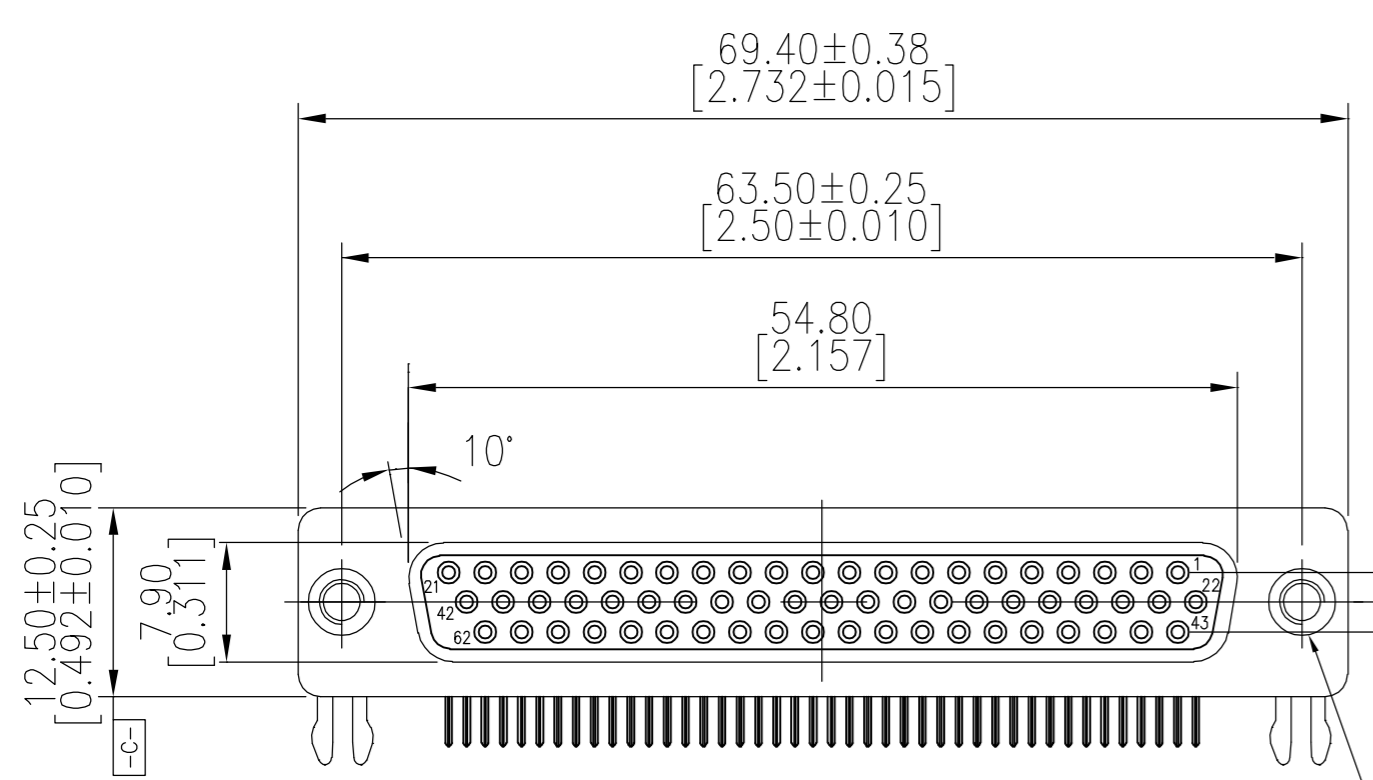
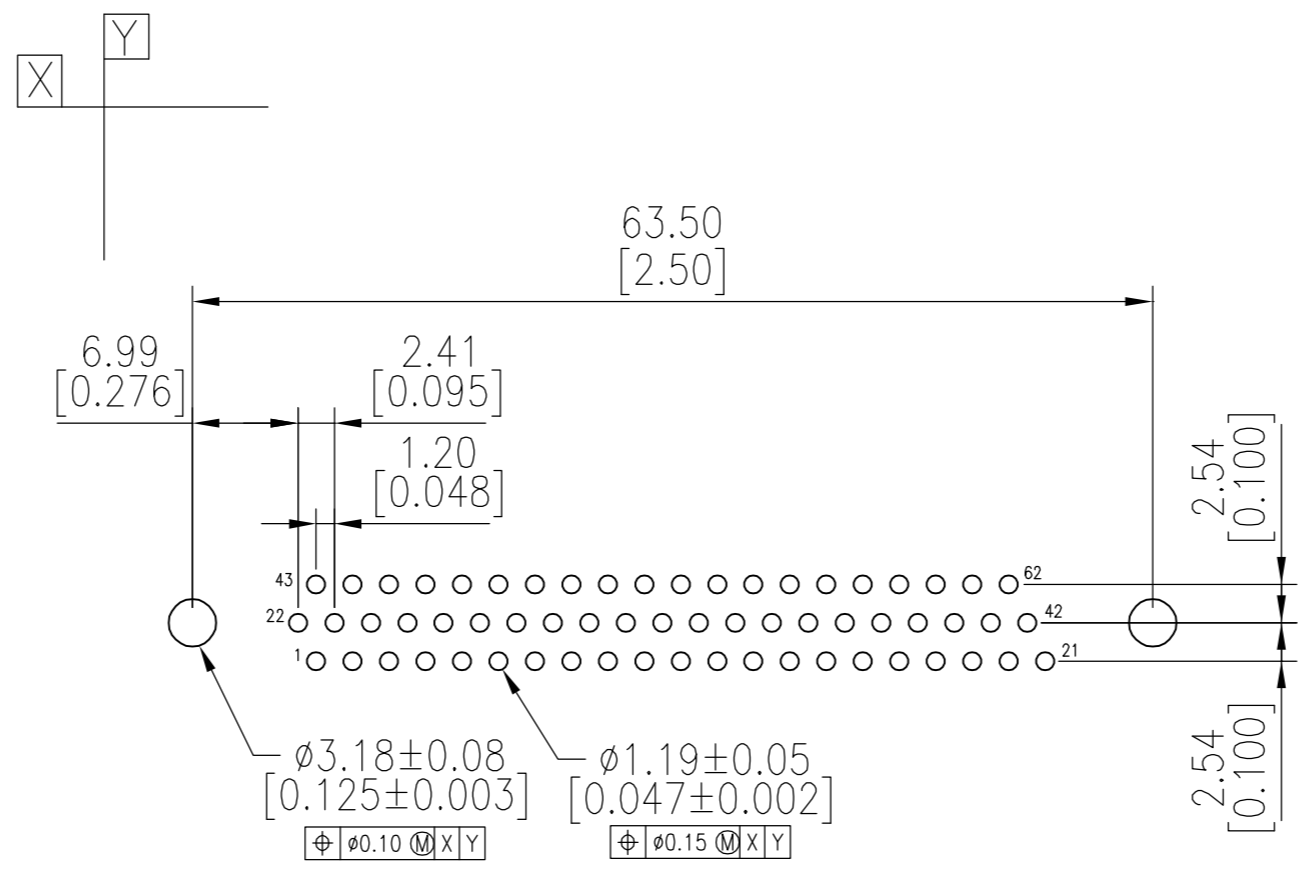
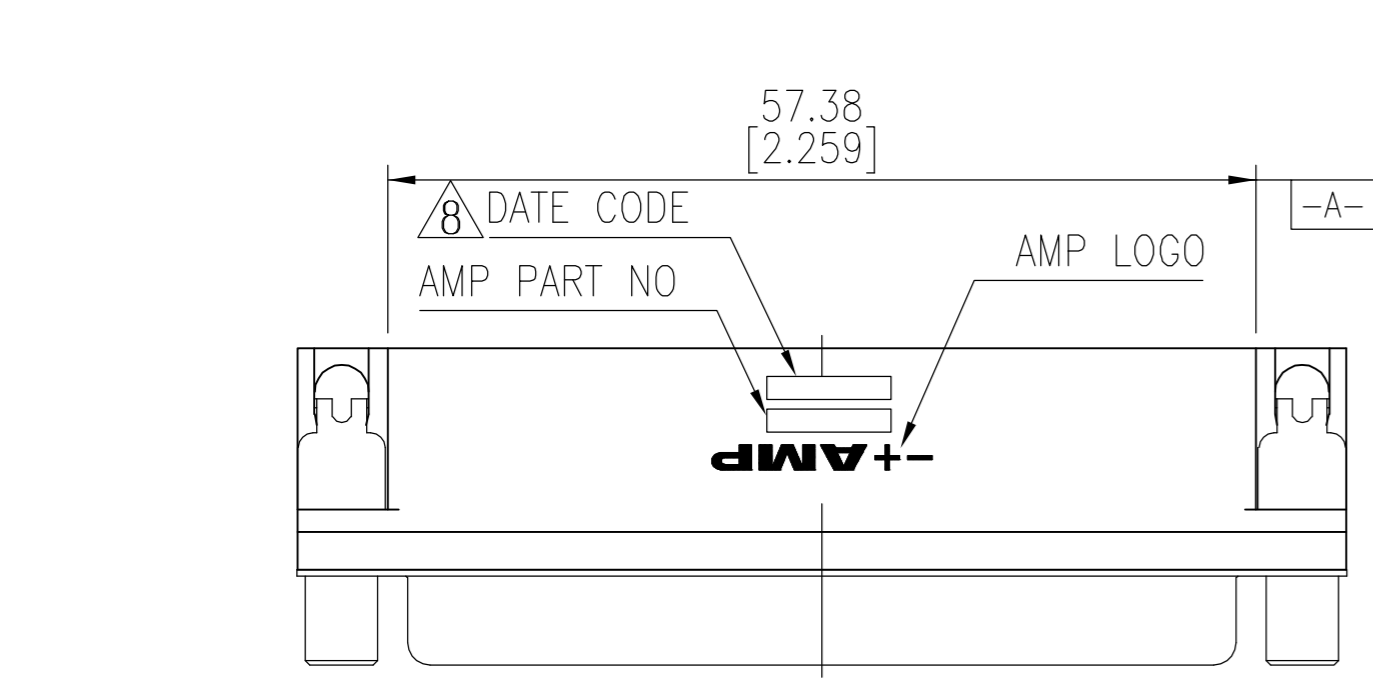
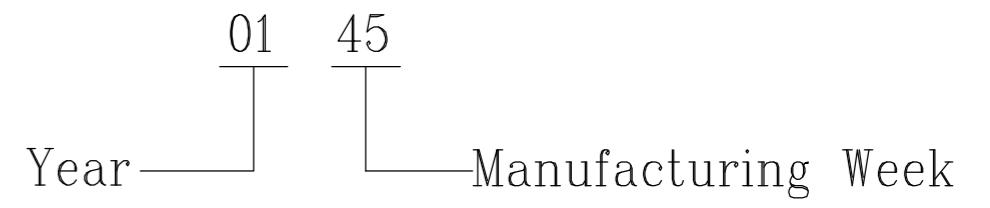


THIS DRAWING IS UNPUBLISHED. RELEASED FOR PUBLICATION  
 © COPYRIGHT BY TYCO ELECTRONICS CORPORATION. ALL RIGHTS RESERVED.

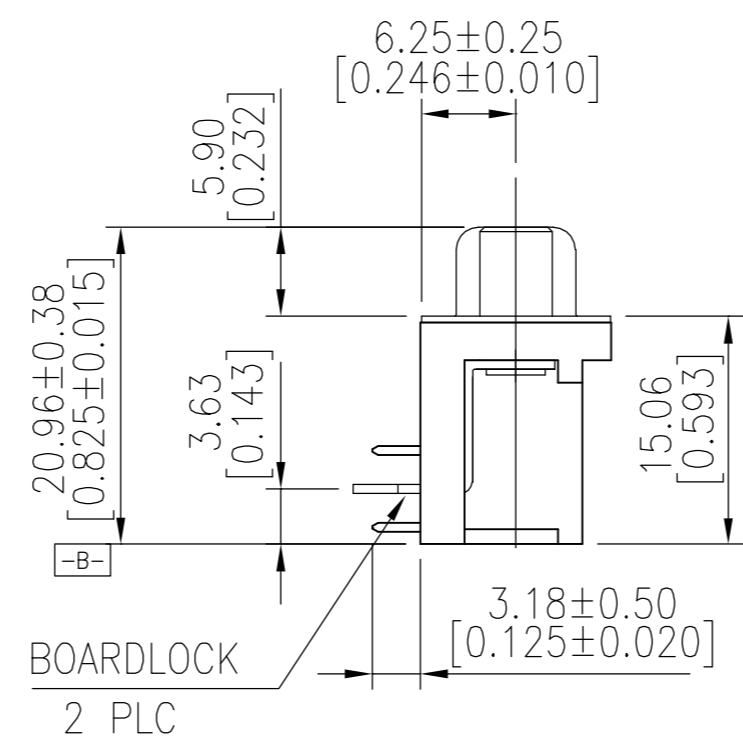
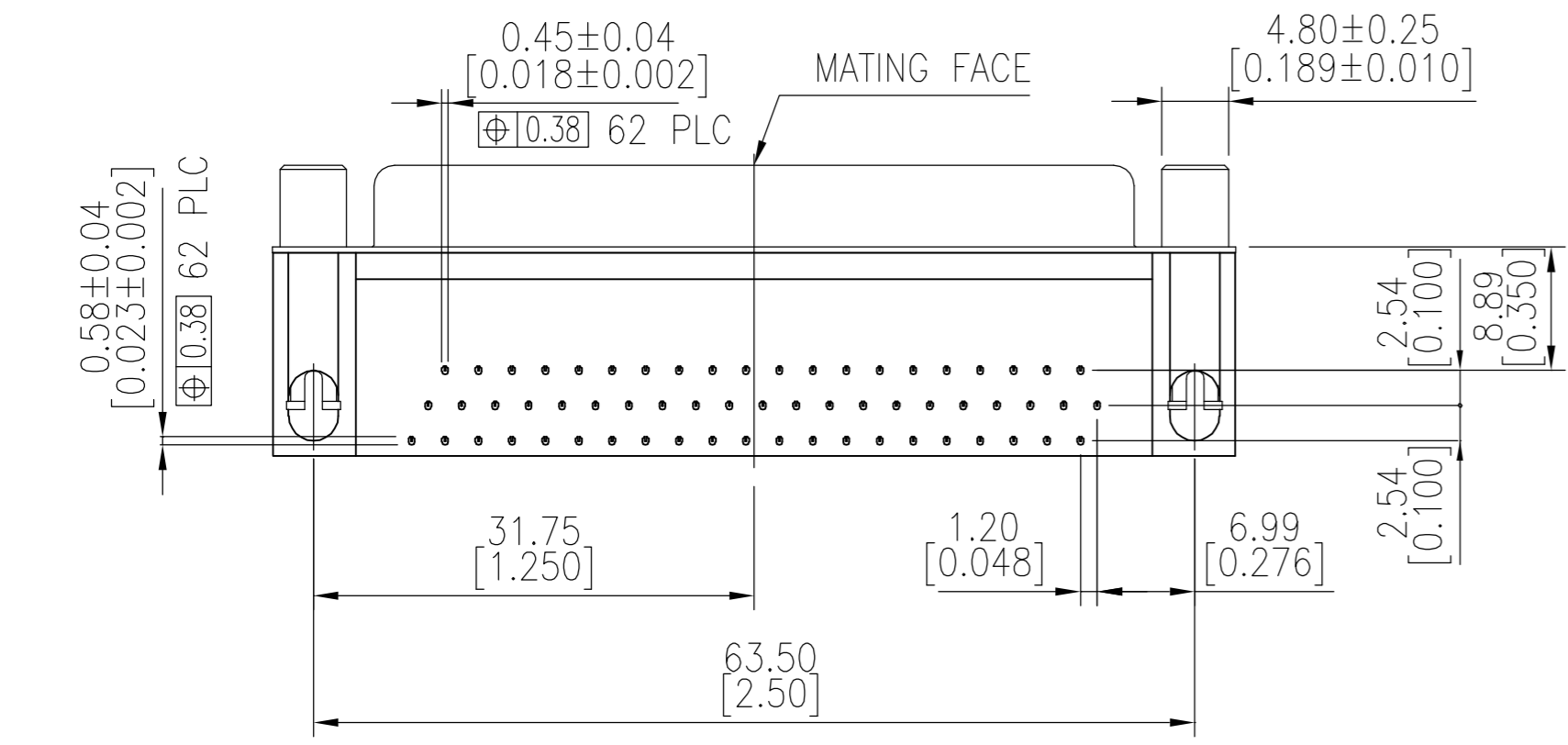
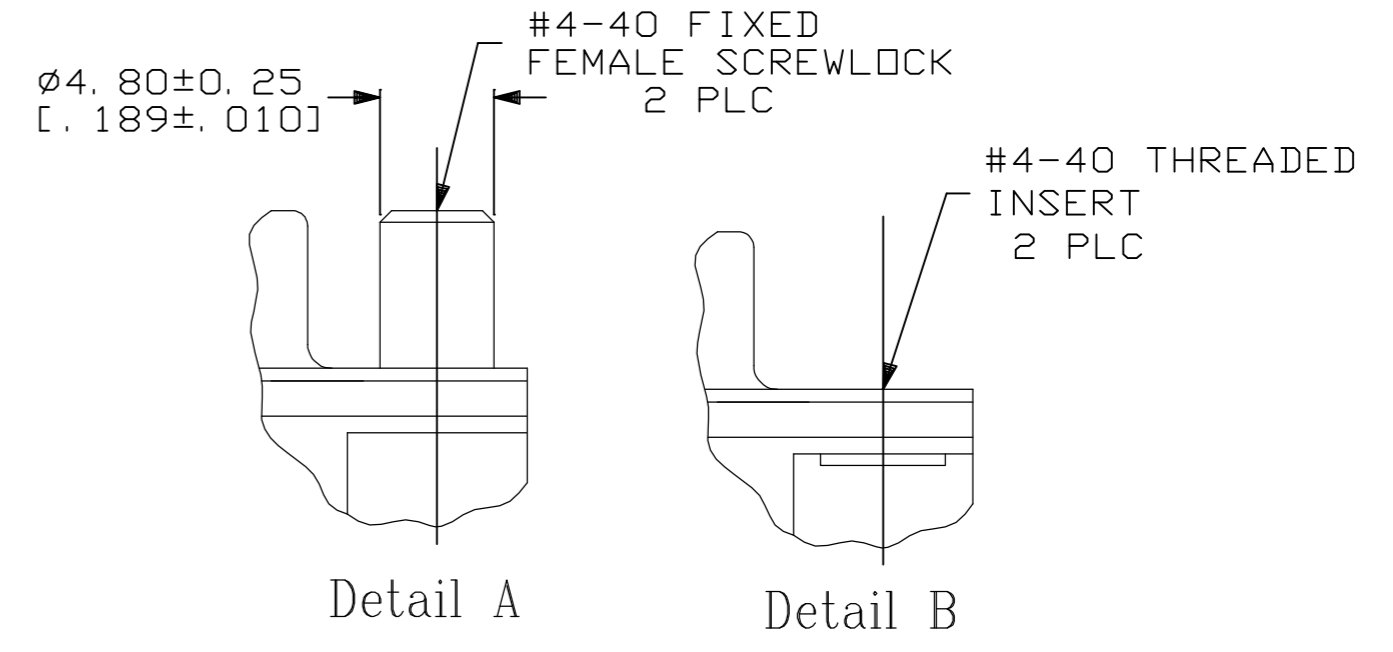
LOC		DIST		REVISIONS			
P	LTR	DESCRIPTION	DATE	DWN	APVD		
GP	0						
	AF	REVISED PER ECO-06-024563	20OCT06	JDP	SLB		

**MATERIAL:**

- Housing: PBT , 30 % G.F polyester, Black.  
( UL 94V-0 Rated )
  - Contact: Phos. Bronze.
  - Contact Plated: Gold Plated over 50u"  
Nickel underplated.
  - Solder Tail: Sn/Pb Plated 120u" over 50u"  
Nickel underplated.
  - Shell: Steel, Nickel Plated.
  - Boardlock: Brass, Tin or Sn/Pb Plated 100u"
  - Female Screwlock: Brass, Nickel plated 30u" Min
- ⊠ Four digit date code in this format.



SEE TABLE FOR MOUNTING FLANGE CONFIGURATION



Tray	Detail A	Gold flash	2-748394-6
Tray	Detail A	15 μ"	2-748394-5
Tray	Detail B	Gold flash	2-748394-4
Tray	Detail B	15 μ"	2-748394-3
Tray	Detail A	30 μ"	748394-6
Tray	Detail B	30 μ"	748394-5
Packaging	Mounting Flange	Contact Finish	AMP Part NO.

748394-6, 2--5, & 2--6 SHOWN

DIMENSIONS:		TOLERANCES UNLESS OTHERWISE SPECIFIED:		APVD		NAME	
mm	[INCHES]	0 PLC	± -	J.BURWELL	15JULY02	Tyco Electronics Corporation	
		1 PLC	± 0.30	C.CASH	15JULY02	Harrisburg, PA 17105-3608	
		2 PLC	± 0.20	-		AMPLIMITE HD-22	
		3 PLC	± 0.10	-		62 POS RECEPTACLE, RIGHT ANGLE	
		4 PLC	± -	-		SIZE	CAGE CODE
		ANGLES	± 2°	-		A2	00779
MATERIAL	FINISH	-		-		DRAWING NO	RESTRICTED TO
		-		-		C=748394	-
CUSTOMER DRAWING				WEIGHT	-	SCALE	2:1
				SHEET	1 of 1	REV	AF