



Chipsmall Limited consists of a professional team with an average of over 10 year of expertise in the distribution of electronic components. Based in Hongkong, we have already established firm and mutual-benefit business relationships with customers from,Europe,America and south Asia,supplying obsolete and hard-to-find components to meet their specific needs.

With the principle of "Quality Parts,Customers Priority,Honest Operation,and Considerate Service",our business mainly focus on the distribution of electronic components. Line cards we deal with include Microchip,ALPS,ROHM,Xilinx,Pulse,ON,Everlight and Freescale. Main products comprise IC,Modules,Potentiometer,IC Socket,Relay,Connector.Our parts cover such applications as commercial,industrial, and automotives areas.

We are looking forward to setting up business relationship with you and hope to provide you with the best service and solution. Let us make a better world for our industry!



Contact us

Tel: +86-755-8981 8866 Fax: +86-755-8427 6832

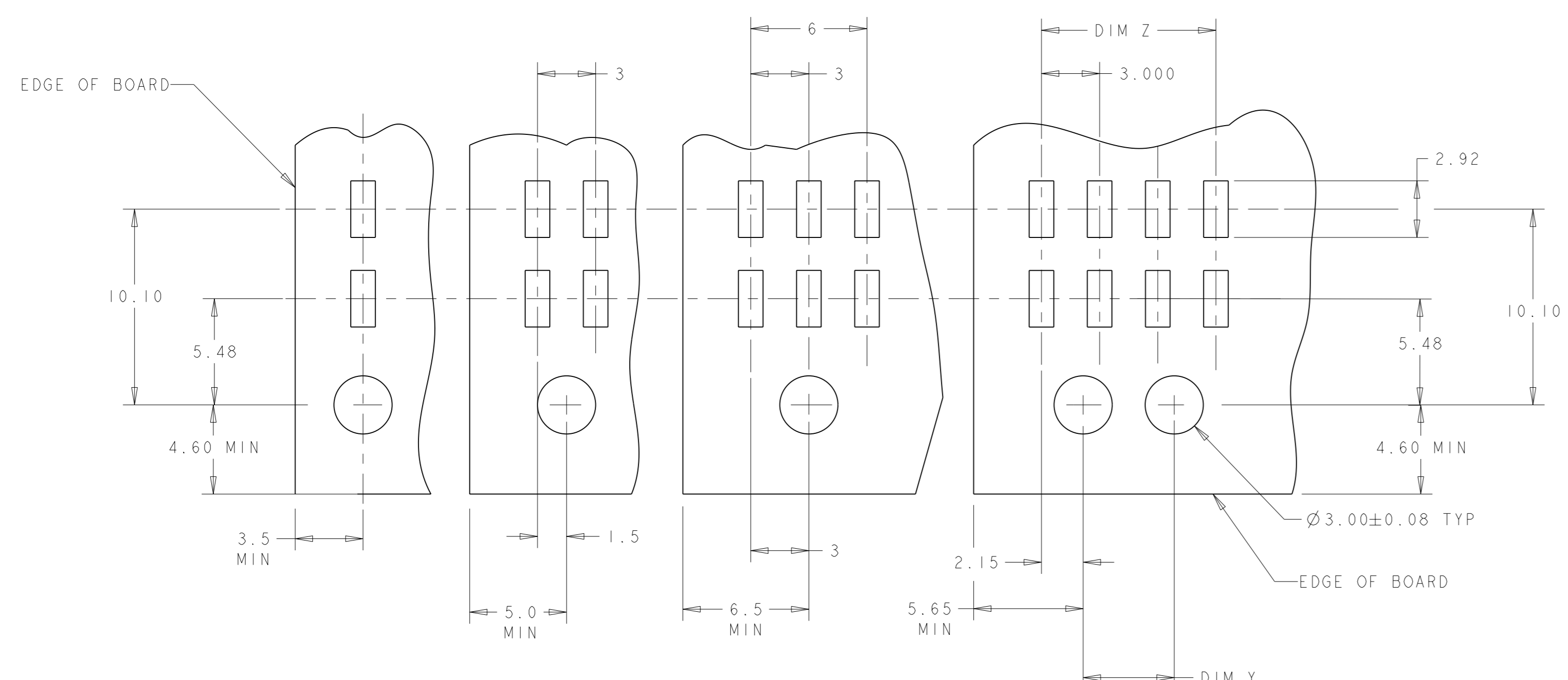
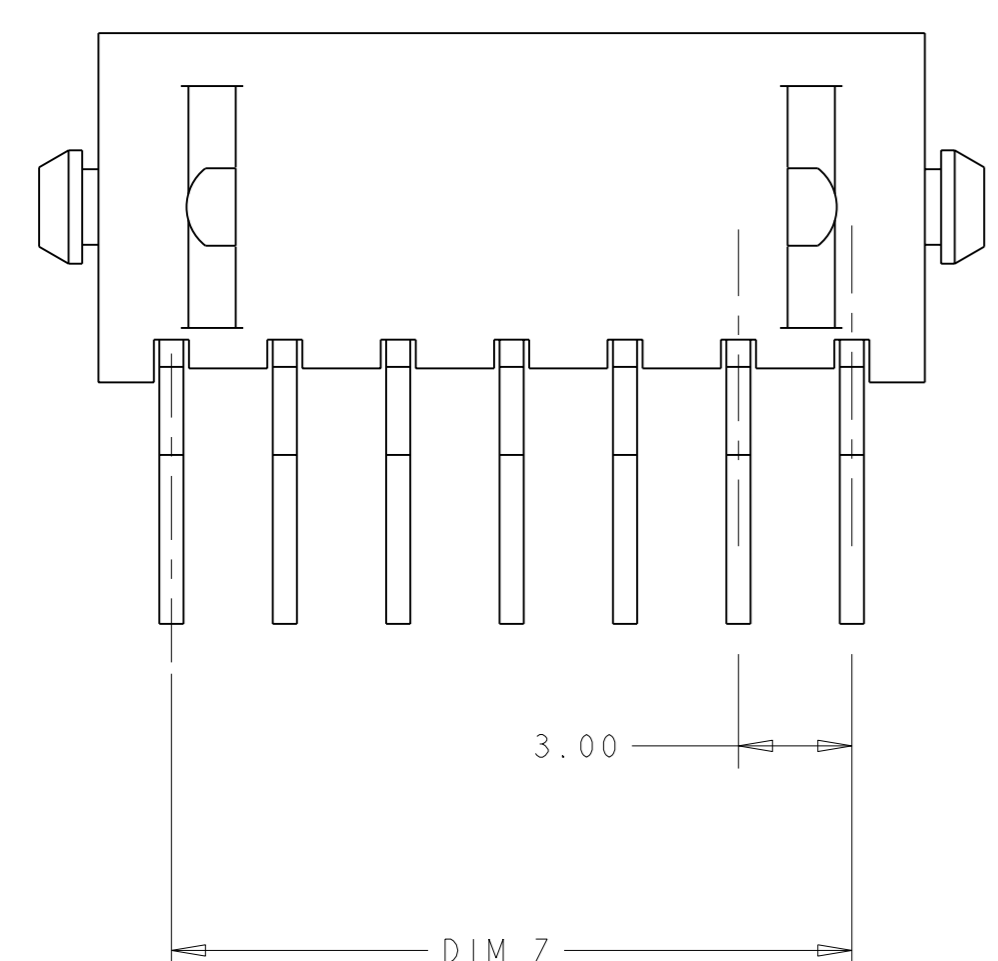
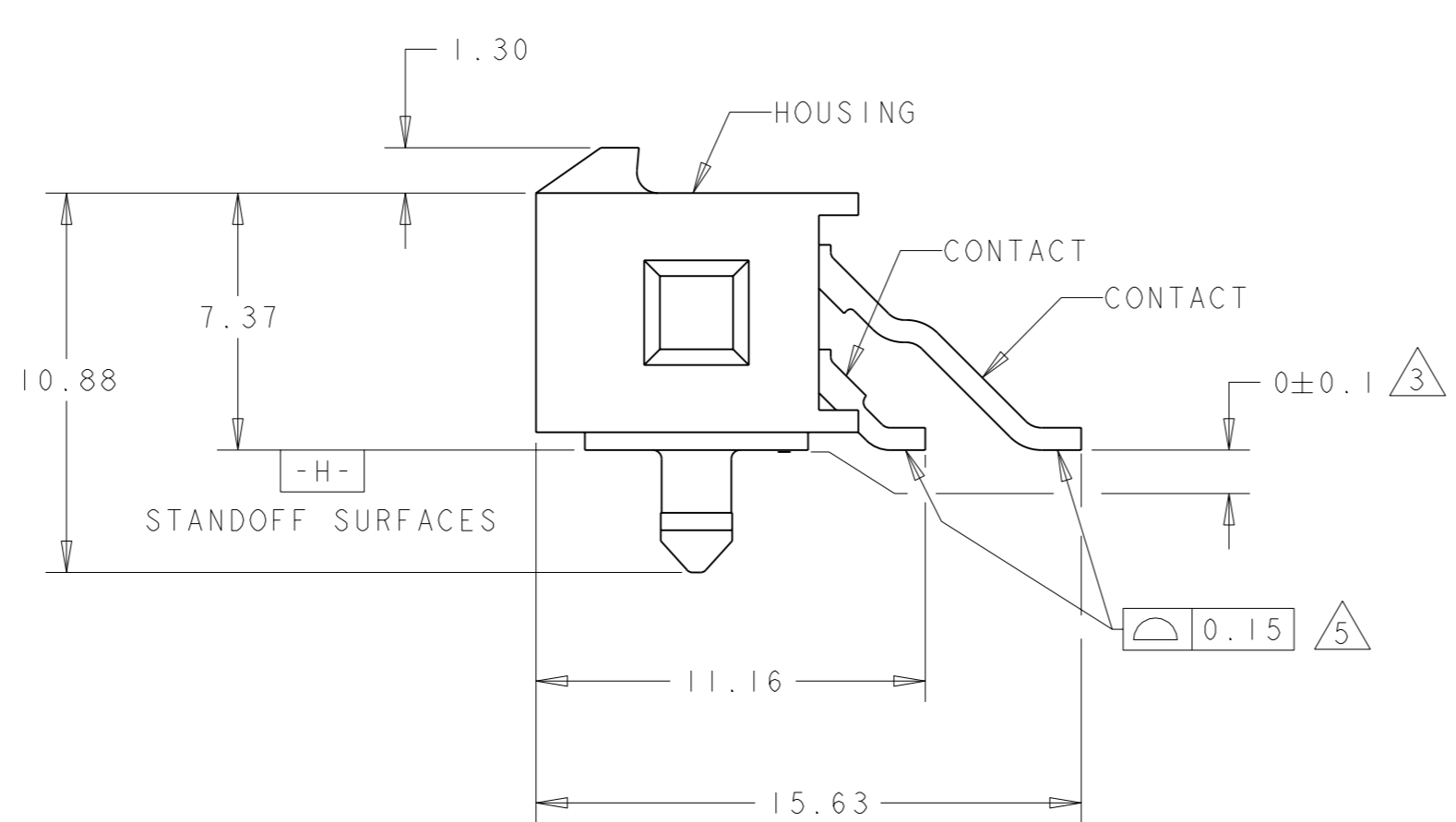
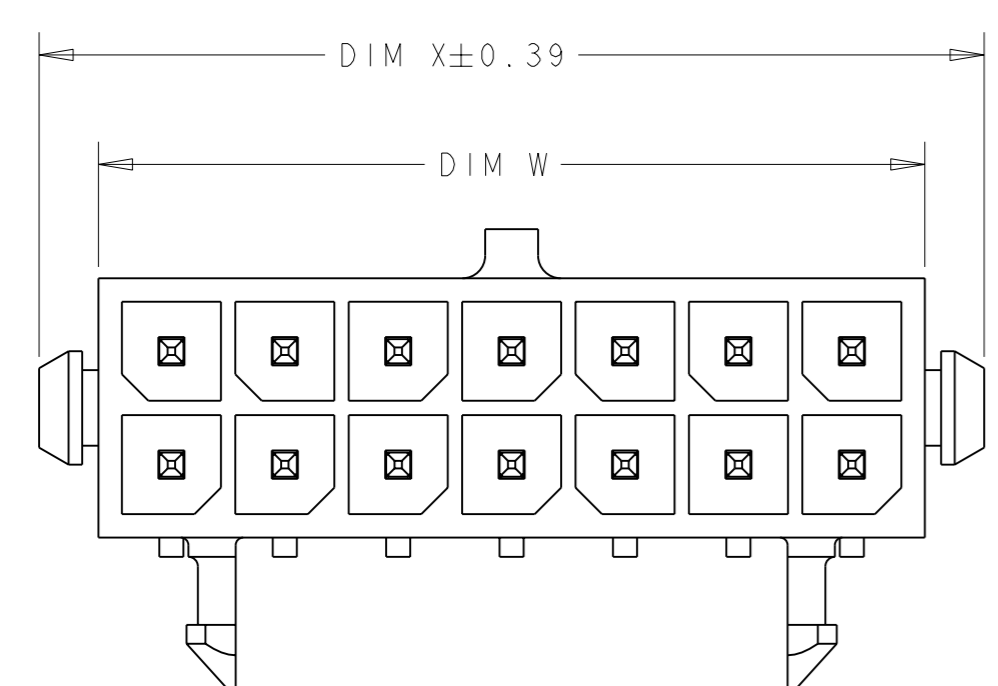
Email & Skype: info@chipsmall.com Web: www.chipsmall.com

Address: A1208, Overseas Decoration Building, #122 Zhenhua RD., Futian, Shenzhen, China

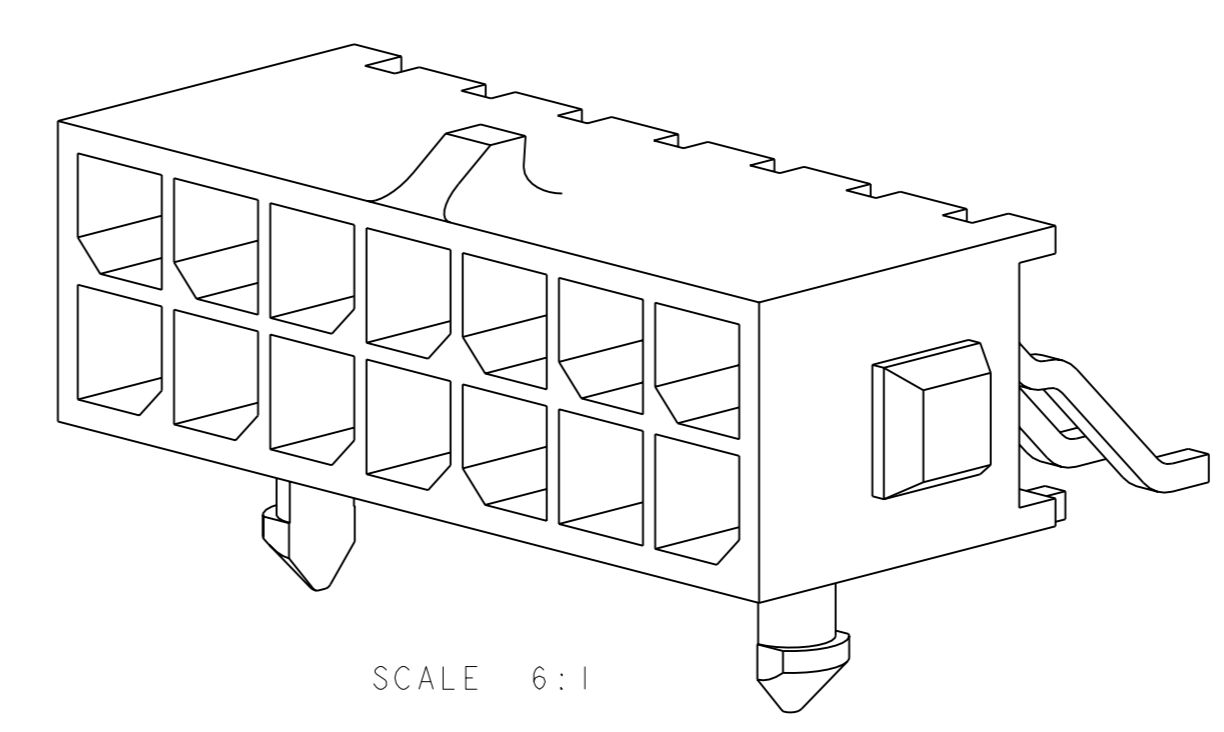


LOC	DIST	REVISIONS			
F	LVR	DESCRIPTION	DATE	DWN	APVD
	F	REVISED PER 0G3B-0208-05	25APR05	KW	C.J

- △ MATERIAL:
CONTACTS - BRASS.
HOUSING - UL 94V-0 RATED HIGH TEMP NYLON, COLOR; BLACK.
- △ PLATING:
CONTACTS - 0.38µm MINIMUM GOLD OVER 2.54µm MINIMUM NICKEL
ON MATING AREA. 2.54µm TIN-LEAD MINIMUM OVER 2.54µm NICKEL
MINIMUM ON SOLDER TAILS.
- △ DIMENSION APPLIES TO SOLDER TAIL SURFACES
AND STANDOFF SURFACES.
- △ RECOMMENDED PC BOARD THICKNESS OF 1.57.
- △ ALL SOLDER TAILS.
- △ PLATING:
CONTACTS - 0.38µm MINIMUM GOLD OVER 2.54µm MINIMUM NICKEL
ON MATING AREA. 2.54µm MATTE TIN MINIMUM OVER 2.54µm NICKEL
MINIMUM ON SOLDER TAILS.



RECOMMENDED PCB LAYOUT (COMPONENT SIDE) △



FINISH	DIM W	DIM Y	DIM Z	DIM X	NO. OF POSN.	PART NUMBER
△	36.86	28.70	33.00	40.00	24	5-794622-4
△	33.86	25.70	30.00	37.00	22	5-794622-2
△	30.86	22.70	27.00	34.00	20	5-794622-0
△	27.86	19.70	24.00	31.00	18	4-794622-8
△	24.86	16.70	21.00	28.00	16	4-794622-6
△	21.86	13.70	18.00	25.00	14	4-794622-4
△	18.86	10.70	15.00	22.00	12	4-794622-2
△	15.86	7.70	12.00	19.00	10	4-794622-0
△	12.86	4.70	9.00	16.00	8	3-794622-8
△	9.86	-	6.00	13.00	6	3-794622-6
△	6.86	-	3.00	10.00	4	3-794622-4
△	3.86	-	-	7.00	2	3-794622-2
△	36.86	28.70	33.00	40.00	24	2-794622-4
△	33.86	25.70	30.00	37.00	22	2-794622-2
△	30.86	22.70	27.00	34.00	20	2-794622-0
△	27.86	19.70	24.00	31.00	18	1-794622-8
△	24.86	16.70	21.00	28.00	16	1-794622-6
△	21.86	13.70	18.00	25.00	14	1-794622-4
△	18.86	10.70	15.00	22.00	12	1-794622-2
△	15.86	7.70	12.00	19.00	10	1-794622-0
△	12.86	4.70	9.00	16.00	8	794622-8
△	9.86	-	6.00	13.00	6	794622-6
△	6.86	-	3.00	10.00	4	794622-4
△	3.86	-	-	7.00	2	794622-2

DIMENSIONS: mm		TOLERANCES UNLESS OTHERWISE SPECIFIED:		DWN: K. WHITAKER 28 JAN 2002		Tyco Electronics Harrisburg, PA 17105-3608	
0 PLC	±	1 PLC	±0.13	CHK: C. JONES 28 JAN 2002	NAME: SURFACE MOUNT, R/A, 15 GOLD HEADER, PLASTIC BOARDLOCK, DUAL ROW, MICRO MATE-N-LOK™	SIZE: A	RESTRICTED TO: -
2 PLC	±	3 PLC	±	APVD: C. JONES 28 JAN 2002	PRODUCT SPEC	CAGE CODE: 00779	DRAWING NO: 794622
4 PLC	±	ANGLES	±	APPLICATION SPEC	WEIGHT	SCALE: 5:1	SHEET 1 OF 1
MATERIAL	SEE TABLE	FINISH	SEE TABLE	CUSTOMER DRAWING	SCALE	REV: F	

