



Chipsmall Limited consists of a professional team with an average of over 10 year of expertise in the distribution of electronic components. Based in Hongkong, we have already established firm and mutual-benefit business relationships with customers from,Europe,America and south Asia,supplying obsolete and hard-to-find components to meet their specific needs.

With the principle of "Quality Parts,Customers Priority,Honest Operation,and Considerate Service",our business mainly focus on the distribution of electronic components. Line cards we deal with include Microchip,ALPS,ROHM,Xilinx,Pulse,ON,Everlight and Freescale. Main products comprise IC,Modules,Potentiometer,IC Socket,Relay,Connector.Our parts cover such applications as commercial,industrial, and automotives areas.

We are looking forward to setting up business relationship with you and hope to provide you with the best service and solution. Let us make a better world for our industry!



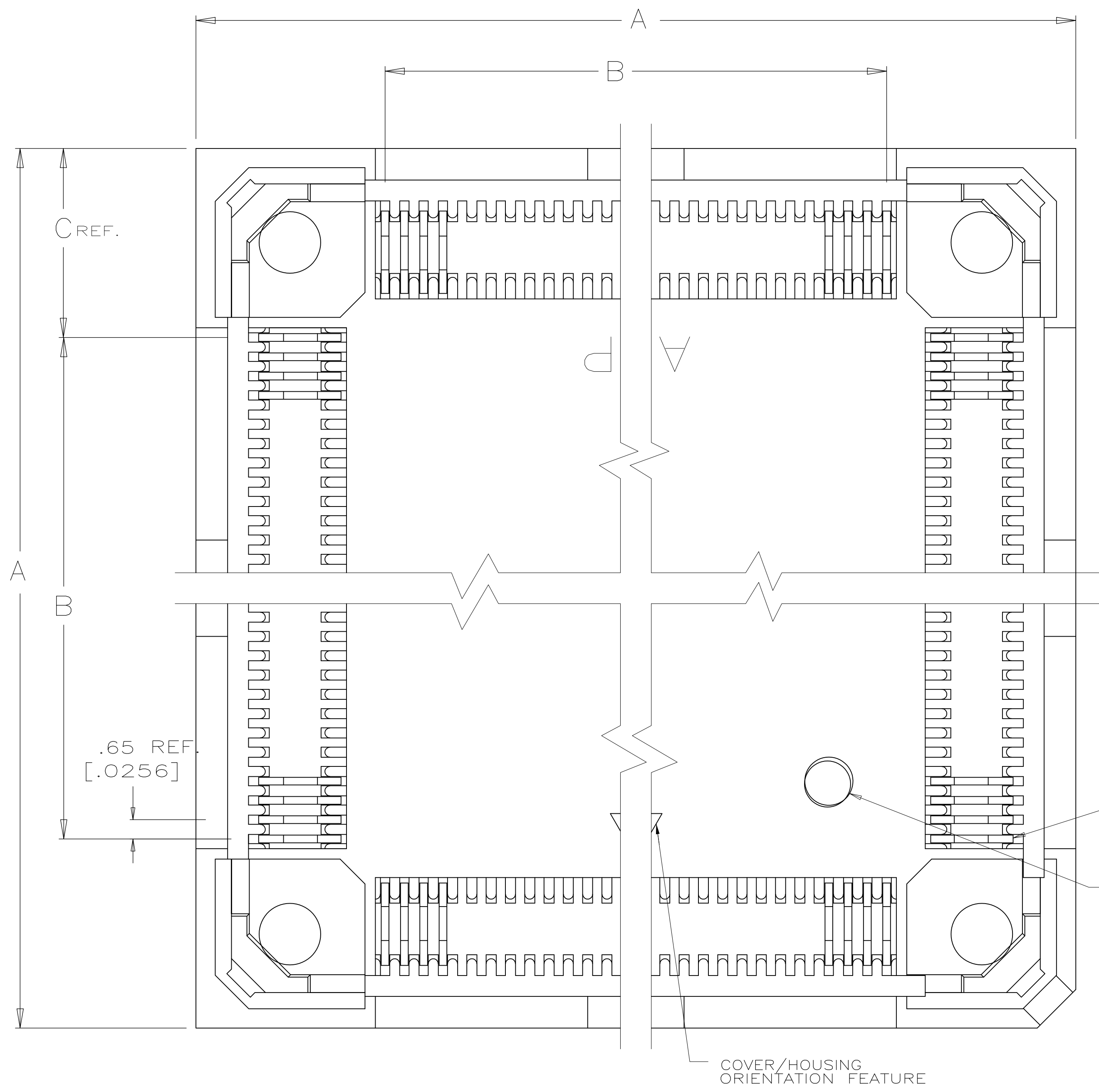
## Contact us

Tel: +86-755-8981 8866 Fax: +86-755-8427 6832

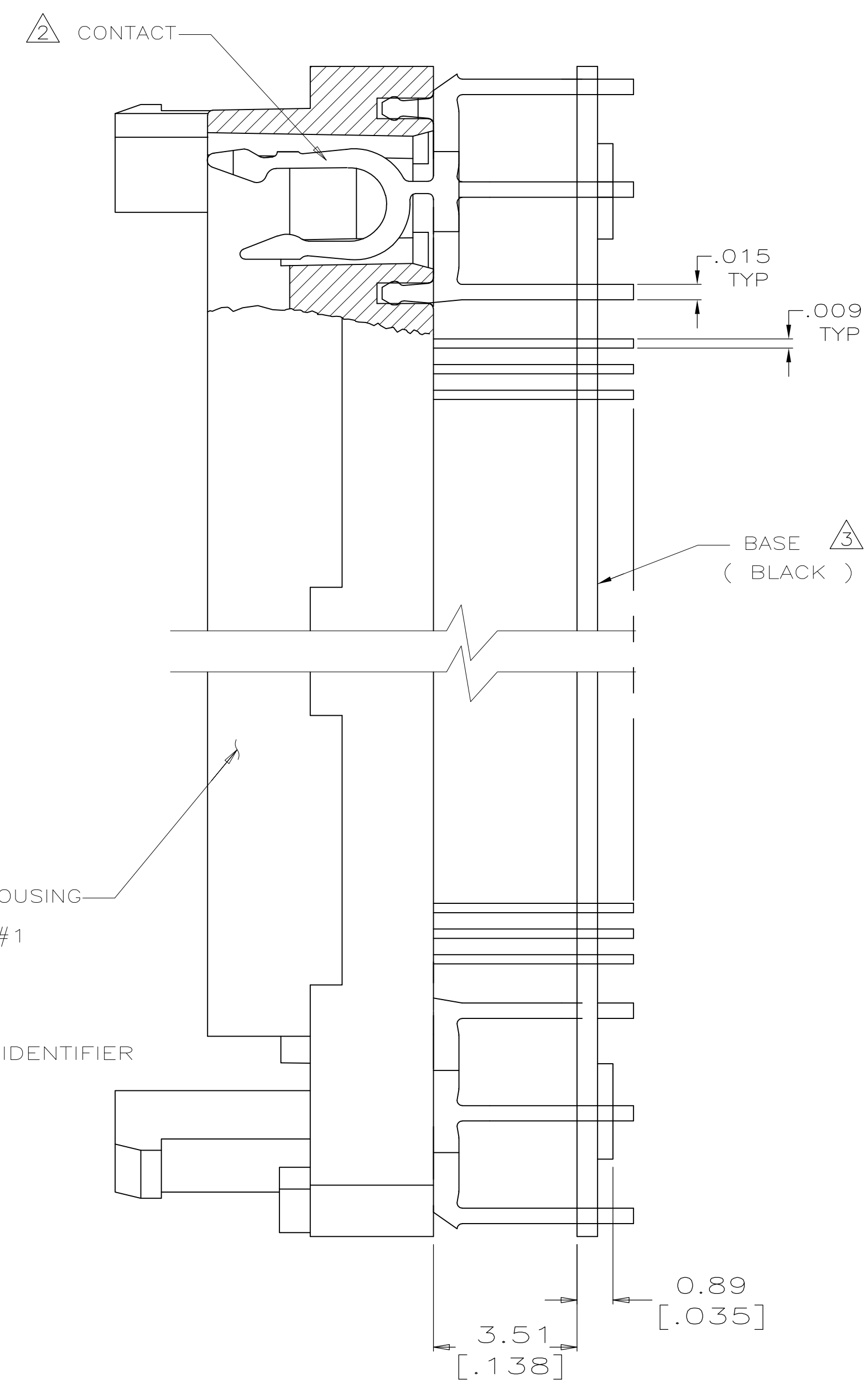
Email & Skype: info@chipsmall.com Web: www.chipsmall.com

Address: A1208, Overseas Decoration Building, #122 Zhenhua RD., Futian, Shenzhen, China

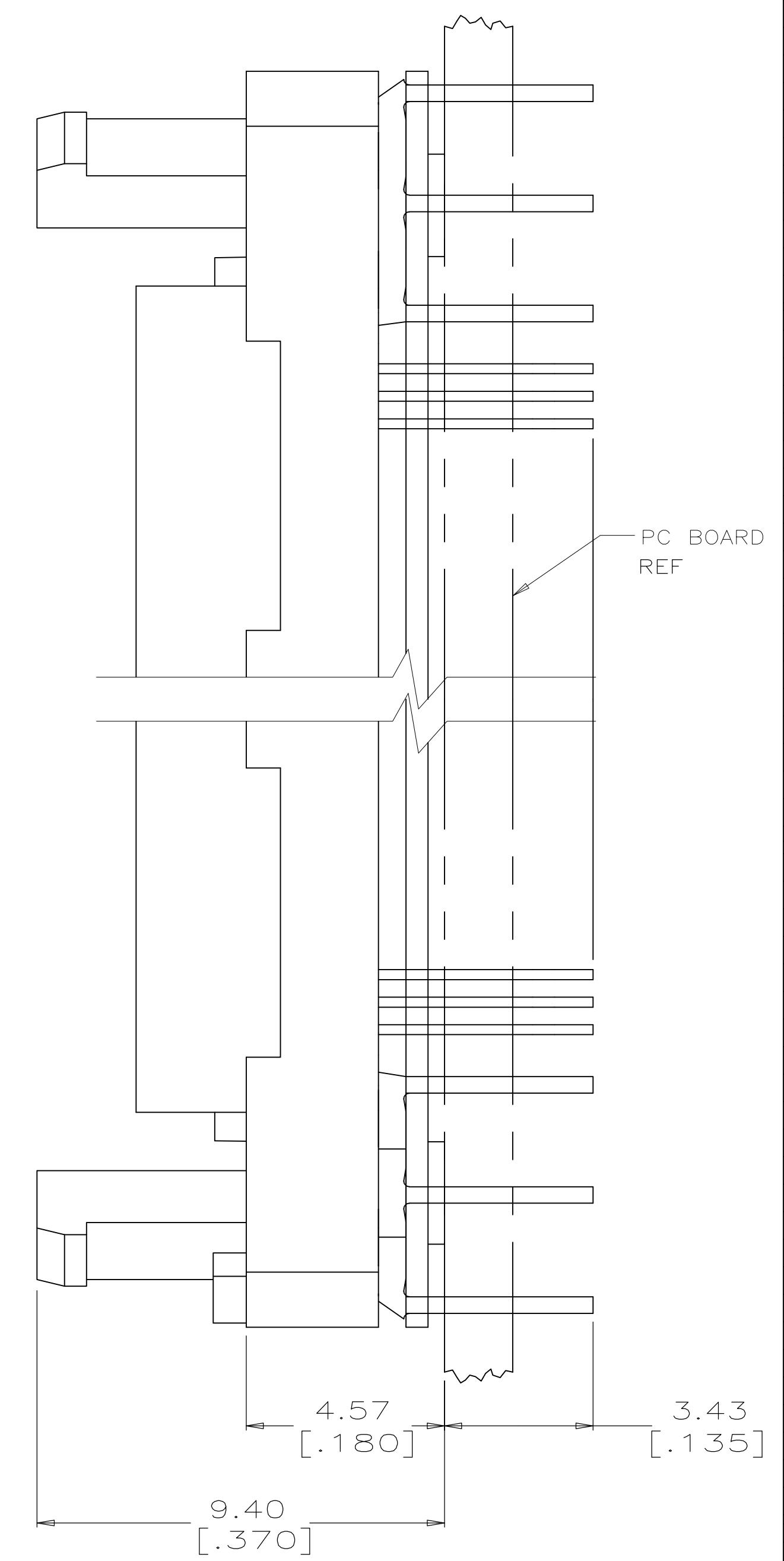




SUB-ASSEMBLY SHOWN AS SHIPPED



SUB-ASSEMBLY SHOWN IN FINAL POSITION



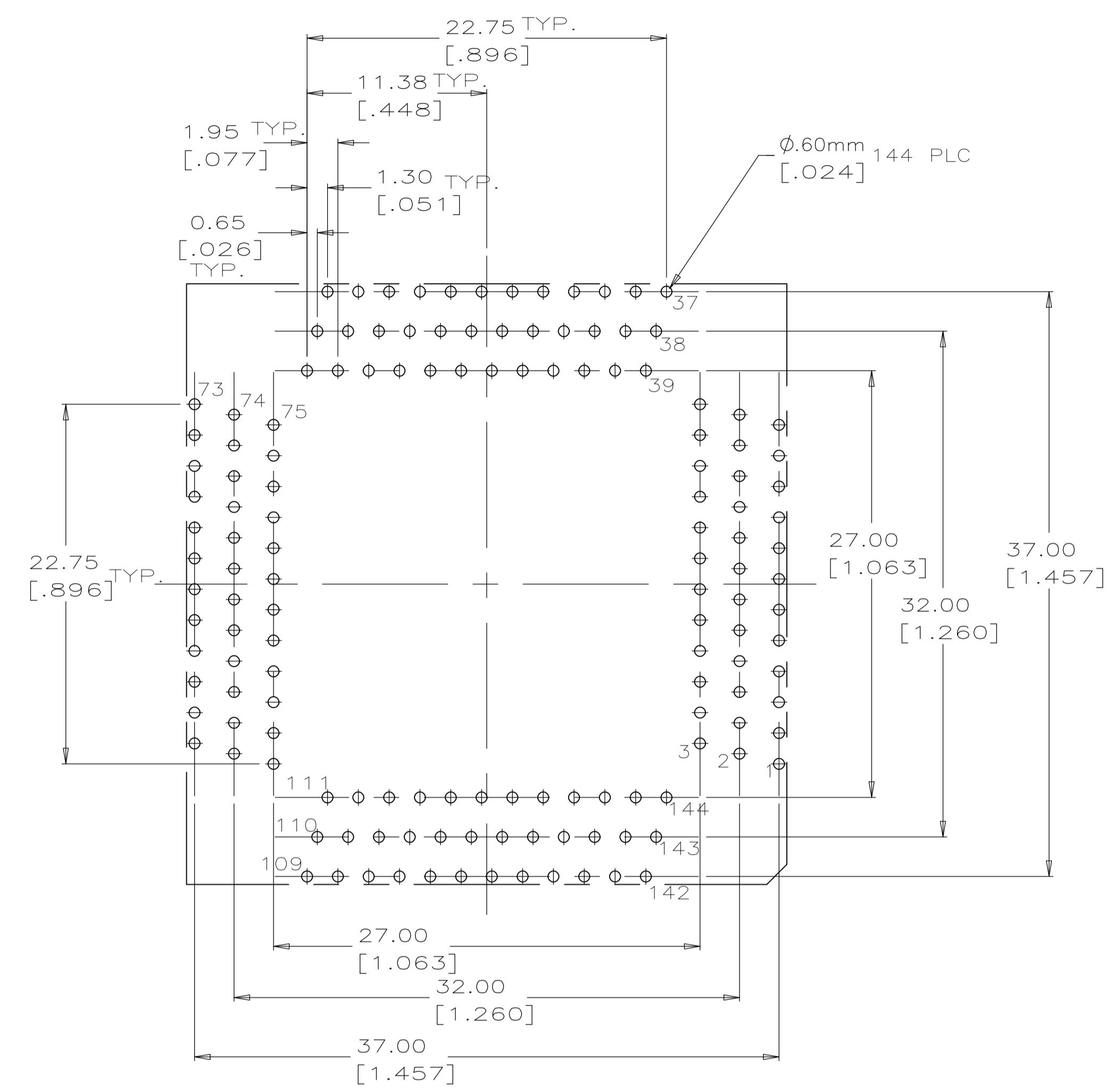
- 1 HOUSING MATERIAL SHALL BE LIQUID CRYSTAL POLYMER. (BLACK)
- 2 CONTACT MATERIAL SHALL BE PHOS. BRONZE. PLATING SHALL BE .000200 [0.00508] MIN. TIN/LEAD OVER .000050 [0.00127] MIN. NICKEL ALL OVER.
- 3 BASE MATERIAL SHALL BE LIQUID CRYSTAL POLYMER. (BLACK)
- 4 CONTACT MATERIAL SHALL BE PHOS. BRONZE. PLATING SHALL BE .000200 [0.00508] MIN. TIN (LEAD FREE) OVER .000050 [0.00127] MIN. NICKEL ALL OVER.

822115-4	4	6.43 [.253]	25.35 [.998]	38.20 [1.504]	2-822114-4	160
822115-3	4	7.73 [.304]	22.76 [.896]	38.20 [1.504]	2-822114-3	144
822115-4	2	6.43 [.253]	25.35 [.998]	38.20 [1.504]	822114-4	160
822115-3	2	7.73 [.304]	22.76 [.896]	38.20 [1.504]	822114-3	144
MATING COVER PART NO.	FINISH	C	B	A	PART NO.	POSN.

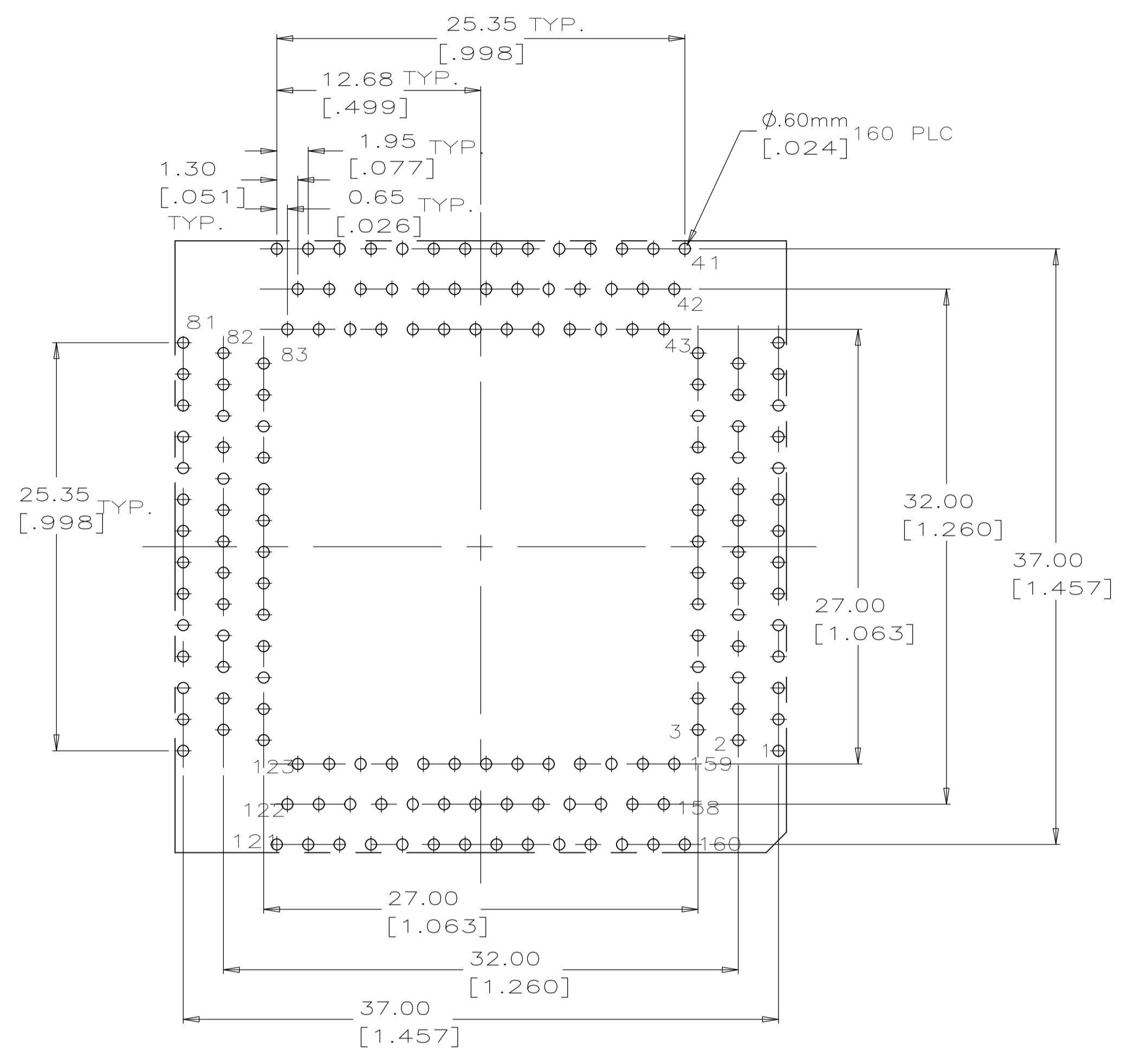
THIS DRAWING IS A CONTROLLED DOCUMENT.

DIMENSIONS: INCHES	TOLERANCES UNLESS OTHERWISE SPECIFIED:	DWN: C. WHITT 8-8-91	CHK: R. MILLER 8-8-91	APVD: G. HOWEL 8-15-91	NAME: MICRO-PITCH SOCKET, METRIC HOUSING SUB-ASSEMBLY FOR 28mm SQUARE, .65 PITCH PQFP
0 PLC ± -	1 PLC ± -	2 PLC ± -	3 PLC ± .1mm [.004]	4 PLC ± -	ANGLES ± -
MATERIAL	FINISH	WEIGHT	SIZE: A1	DWG CODE: 00779	DRAWING NO: 822114
1 2 3 4	SEE TABLE	CUSTOMER DRAWING	SCALE: 10:1	SHEET: 1 OF 2	REV: E1

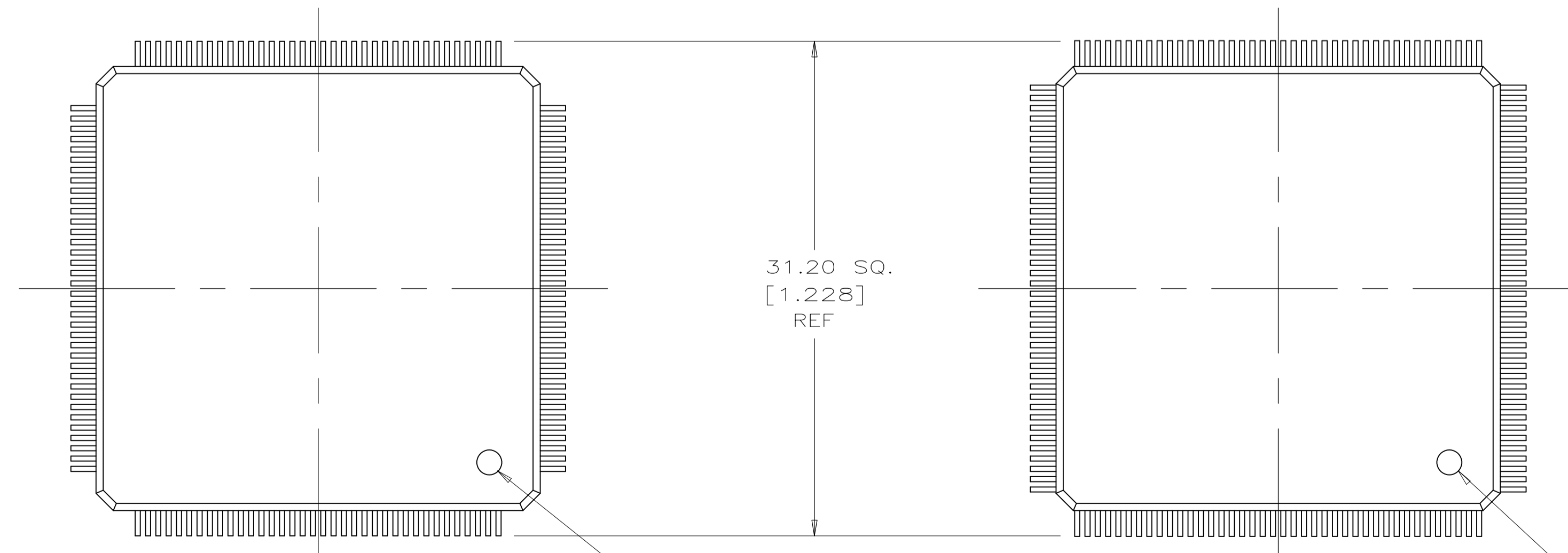
STE TE Connectivity



RECOMMENDED P.C. BOARD HOLE PATTERN  
SOCKET SIDE  
144 POSN.

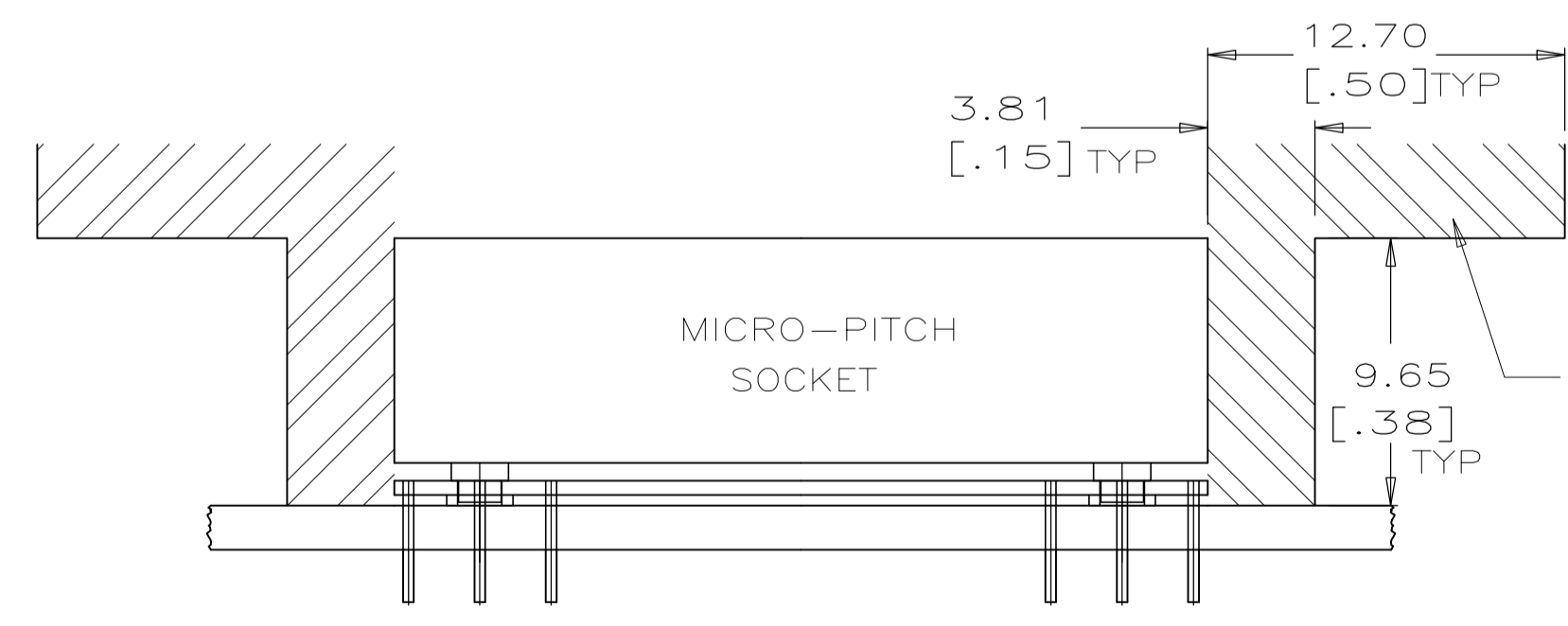


RECOMMENDED P.C. BOARD HOLE PATTERN  
SOCKET SIDE  
160 POSN.



144 POSITION

160 POSITION



THIS AREA TO BE FREE OF COMPONENTS FOR ACCESS OF THE MICRO-PITCH HAND TOOL. MINIMUM OF TWO OPPOSITE SIDES.

THIS DRAWING IS A CONTROLLED DOCUMENT.		DWN	C.WHITT	8-9-91
DIMENSIONS: INCHES		CHK	R.MILLER	8-9-91
TOLERANCES UNLESS OTHERWISE SPECIFIED:		APVD	G.HOWEL	8-15-91
0 PLC	± -	NAME	MICRO-PITCH SOCKET, METRIC HOUSING SUB-ASSEMBLY FOR 28mm SQUARE, .65 PITCH PQFP	
1 PLC	± -	PRODUCT SPEC	-	
2 PLC	± -	APPLICATION SPEC	-	
3 PLC	± .1mm [.004]	SIZE	A1	00779
4 PLC	± -	SCALE	10:1	822114
ANGLES	± -	WEIGHT	-	
MATERIAL	-	FINISH	-	
CUSTOMER DRAWING		SCALE	10:1	SHEET 2 OF 2
		REV	E1	