



Chipsmall Limited consists of a professional team with an average of over 10 year of expertise in the distribution of electronic components. Based in Hongkong, we have already established firm and mutual-benefit business relationships with customers from,Europe,America and south Asia,supplying obsolete and hard-to-find components to meet their specific needs.

With the principle of "Quality Parts,Customers Priority,Honest Operation,and Considerate Service",our business mainly focus on the distribution of electronic components. Line cards we deal with include Microchip,ALPS,ROHM,Xilinx,Pulse,ON,Everlight and Freescale. Main products comprise IC,Modules,Potentiometer,IC Socket,Relay,Connector.Our parts cover such applications as commercial,industrial, and automotives areas.

We are looking forward to setting up business relationship with you and hope to provide you with the best service and solution. Let us make a better world for our industry!



## Contact us

Tel: +86-755-8981 8866 Fax: +86-755-8427 6832

Email & Skype: info@chipsmall.com Web: www.chipsmall.com

Address: A1208, Overseas Decoration Building, #122 Zhenhua RD., Futian, Shenzhen, China



DIESES ZEICHNUNGSDOKUMENT WIRD DURCH TE INCORPORATED KONTROLLIERT. AENDERUNGEN, DIE DEM TECHNISCHEN FORTSCHRITT DIENEN, SIND VORBEHALTEN. DEN JEWEILS LETZTUELTIGEN AENDERUNGSSTAND ERFAHREN SIE AUF ANFRAGE.

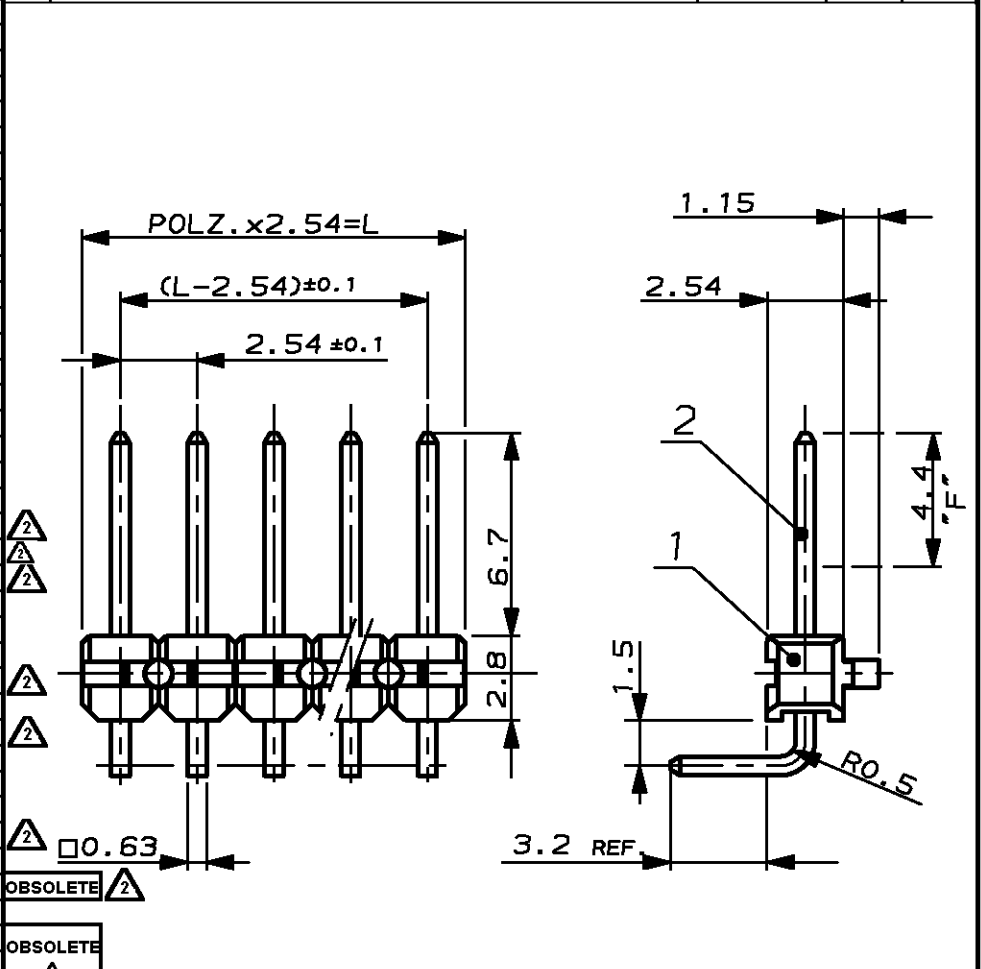
THIS DRAWING IS A CONTROLLED DOCUMENT FOR TE INCORPORATED. IT IS SUBJECT TO CHANGE AND THE CONTROLLING ENGINEERING ORGANIZATION SHOULD BE CONTACTED FOR THE LATEST REVISION.

RELEASED FOR PUBLICATION KW 39/96  
FREI FUER VEROEFFENTLICHUNG  
BY TE INCORPORATED. ALL RIGHTS RESERVED.  
ALLE RECHTE VORBEHALTEN.  
THIS DRAWING IS UNPUBLISHED.  
VERTRAULICHE UNVEROEFFENTLICHTE ZEICHNUNG.  
COPYRIGHT 1975

MATED WITH: PASSEND ZU:	LOC	DIST
-	AI	-
PROJEKT NR.: E 75-9231		

REVISIONS AENDERUNGEN DESCRIPTION BESCHREIBUNG		DATE	DWN	APVD
P	LTR			
	B	23.09.96	STEIN	-
	C	10.07.97	ZITZ	-
	U1	02.06.06	HESS	MS
	U2	01FEB10	KK	HMR
	U3	05FEB11	KK	HMR

POLZ.	L±0.5	BESTELL-NR.
-	-	-
2	5.08	825 437 -2
3	7.62	-3
4	10.16	-4
5	12.70	-5
6	15.24	-6
7	17.78	-7
8	20.32	-8
9	22.86	-9
10	25.40	1-
11	27.94	1-
12	30.48	1-
13	33.02	1-
14	35.56	1-
15	38.10	1-
16	40.64	1-
17	43.18	1-
18	45.72	1-
19	48.26	1-
20	50.80	2-
21	53.34	2-
22	55.88	2-
23	58.42	2-
24	60.96	2-
25	63.50	2-
26	66.04	2-
27	68.58	2-
28	71.12	2-
29	73.66	2-
30	76.20	3-
31	78.74	3-
32	81.28	3-
33	83.82	3-
34	86.36	3-
35	88.90	3-
36	91.44	3-
37	93.98	3-
38	96.52	3-
39	99.06	3-
40	101.60	4-
41	104.14	4-
42	106.68	4-
43	109.22	4-
44	111.76	4-
45	114.30	4-
46	116.84	4-
47	119.38	4-
48	121.92	4-
49	124.46	4-
50	127.00	5- 825 437 -0



MATING SIDE: AREA "F" 0.8µm GOLD OVER 1.27µm NICKEL  
 SOLDER SIDE: MIN. 2.5µm TIN OVER 1.27µm NICKEL  
 STECKSEITE, IM BEREICH "F" 0.8µm GOLD ÜBER 1.27 µm NICKEL  
 LÖTSEITE, MIN. 2.5 µm ZINN ÜBER 1.27 µm NICKEL

1 MATING SIDE: AREA "F" 0.8µm GOLD OVER 1.27µm NICKEL  
 2 OBSOLETE PARTS: OBSOLETE CIS STREAMLINING PER D.RENAUD/D.SINISI  
 3 OBSOLETE

-	-	-	-	CuSn	1	CONTACT PIN KONTAKTSTIFT	2
-	-	-	-	PBT GV	GREEN GRÜN	PIN HOUSING STIFTGEHÄUSE	1
CUSTOMER PART NO	TE PART NO	REV.	PCS.	MATERIAL	SURFACE COLOR	DESCRIPTION	ITEM NO

DIMENSIONS: DIMENSIONEN: mm	DWN DAHLHEIMER 05.12.75	MATERIAL	FINISH OBERFLÄCHE/FARBE
TOLERANCES UNLESS OTHERWISE SPECIFIED: ALLGEMEINTOLERANZEN	CHK BÖCK 17.12.75	TE Connectivity	
p.p. 150 8015 p.p. 150 2768 - mH -E DIN 16901 - 140	APVD	NAME AMPMODU II PIN HEADER 90° SINGLE ROW AMPMODU II STIFTELEISTE 90° EINREIHIG	
PLC ±0.2 PLC ±0.2 PLC ±0.2 PLC ±	PRODUCT SPEC PRODUKTSPEZ.	SIZE A4	CAGE CODE 00779
ANGLES/WINKEL ±1°	APPLICATION SPEC VERARBEITUNGSSPEZ.	DRAWING NO ZEICHNUNGS-NR. C-825437	RESTRICTED TO NUR FUER
	WEIGHT GEWICHT	CUSTOMER DRAWING / KUNDENZEICHNUNG	
		MASSSTAB 4:1	BLATT 1 OF 1 REV U3