



Chipsmall Limited consists of a professional team with an average of over 10 year of expertise in the distribution of electronic components. Based in Hongkong, we have already established firm and mutual-benefit business relationships with customers from,Europe,America and south Asia,supplying obsolete and hard-to-find components to meet their specific needs.

With the principle of "Quality Parts,Customers Priority,Honest Operation,and Considerate Service",our business mainly focus on the distribution of electronic components. Line cards we deal with include Microchip,ALPS,ROHM,Xilinx,Pulse,ON,Everlight and Freescale. Main products comprise IC,Modules,Potentiometer,IC Socket,Relay,Connector.Our parts cover such applications as commercial,industrial, and automotives areas.

We are looking forward to setting up business relationship with you and hope to provide you with the best service and solution. Let us make a better world for our industry!



## Contact us

Tel: +86-755-8981 8866 Fax: +86-755-8427 6832

Email & Skype: info@chipsmall.com Web: www.chipsmall.com

Address: A1208, Overseas Decoration Building, #122 Zhenhua RD., Futian, Shenzhen, China



THIS DRAWING IS UNPUBLISHED.

RELEASED FOR PUBLICATION

---

© COPYRIGHT - BY TYCO ELECTRONICS CORPORATION.

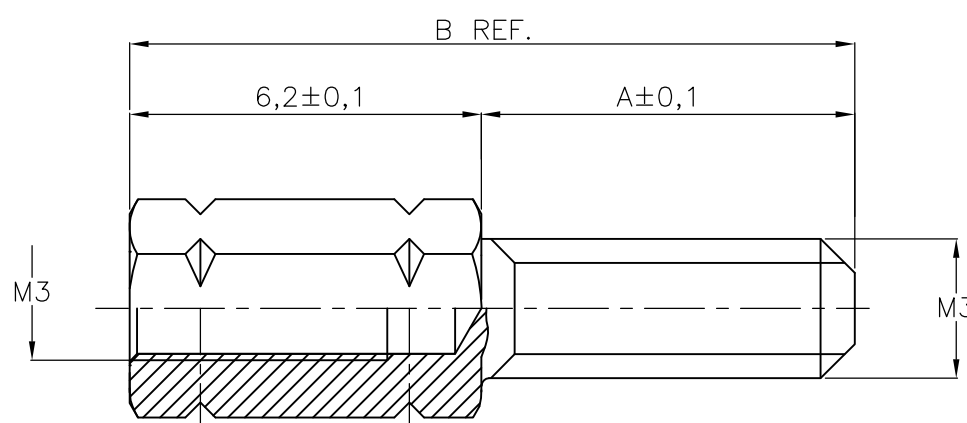
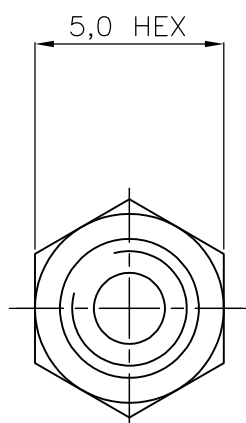
ALL INTERNATIONAL RIGHTS RESERVED.

LOC  
H

DIST  
-

REVISIONS

P	LTR	DESCRIPTION	DATE	DWN	APVD
	B	H-9720	21-04-92	S.M.	-
	D	ECR-09-000314	21-05-09	AEG	KMA



OBSOLETE	-	8,0	14,2	UNPLATED	ARCAP	4-829068-3
	-	8,0	14,2	TINPLATED	BRASS	4-829068-1
OBSOLETE	-	3,0	9,2	UNPLATED	ARCAP	3-829068-3
	-	3,0	9,2	TINPLATED	BRASS	3-829068-1
OBSOLETE	-	11,0	17,2	UNPLATED	ARCAP	2-829068-3
	-	11,0	17,2	TINPLATED	BRASS	2-829068-1
OBSOLETE	-	9,7	15,9	UNPLATED	ARCAP	1-829068-3
	-	9,7	15,9	TINPLATED	BRASS	1-829068-1
OBSOLETE	-	5,0	11,2	UNPLATED	ARCAP	829068-3
	-	5,0	11,2	TINPLATED	BRASS	829068-1
		DIM "A"	DIM "B"	FINISH	MATERIAL	ORDER NUMBER

THIS DRAWING IS A CONTROLLED DOCUMENT.		DWN D.KESSLER 02APR91	Tyco Electronics Corporation 's-Hertogenbosch, Nederland				
DIMENSIONS: mm		CHK C.V.TILBURG 23APR91					
TOLERANCES UNLESS OTHERWISE SPECIFIED:		APVD L.V.SOEST 25APR91	NAME SCREWLOCK, FEMALE HD-SERIES				
0 PLC ± - 1 PLC ± 0,2 2 PLC ± - 3 PLC ± - 4 PLC ± - ANGLES ± -		PRODUCT SPEC -	APPLICATION SPEC -				
MATERIAL -		FINISH -	WEIGHT -	SIZE A3	CAGE CODE 00779	DRAWING NO C-829068	RESTRICTED TO -
CUSTOMER DRAWING			SCALE NTS	SHEET 1 OF 1	REV D		