



Chipsmall Limited consists of a professional team with an average of over 10 year of expertise in the distribution of electronic components. Based in Hongkong, we have already established firm and mutual-benefit business relationships with customers from,Europe,America and south Asia,supplying obsolete and hard-to-find components to meet their specific needs.

With the principle of “Quality Parts,Customers Priority,Honest Operation,and Considerate Service”,our business mainly focus on the distribution of electronic components. Line cards we deal with include Microchip,ALPS,ROHM,Xilinx,Pulse,ON,Everlight and Freescale. Main products comprise IC,Modules,Potentiometer,IC Socket,Relay,Connector.Our parts cover such applications as commercial,industrial, and automotives areas.

We are looking forward to setting up business relationship with you and hope to provide you with the best service and solution. Let us make a better world for our industry!



Contact us

Tel: +86-755-8981 8866 Fax: +86-755-8427 6832

Email & Skype: info@chipsmall.com Web: www.chipsmall.com

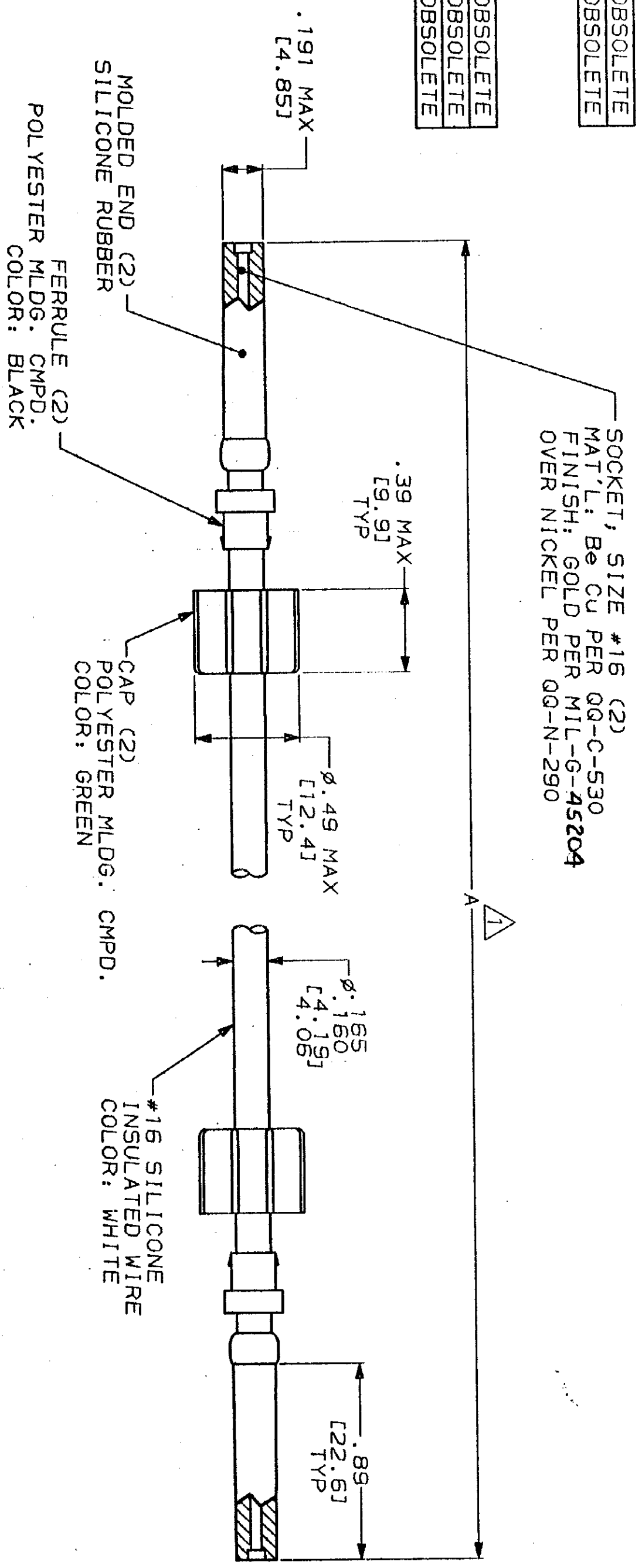
Address: A1208, Overseas Decoration Building, #122 Zhenhua RD., Futian, Shenzhen, China



DRAWING MADE IN THIRD ANGLE PROJECTION
 THIS DRAWING IS UNPUBLISHED. RELEASED FOR PUBLICATION
 BY AMP INCORPORATED. ALL INTERNATIONAL RIGHTS RESERVED.

PROD CODE	LOC	DIST	P	F	ZONE	LTR	REVISIONS	DATE	APPRO
4092	DF	50					REV 8 REDRAWN PER DF-2571	CT 8/2/91	5

PART NO.	A	
862548-1	6.00 [152.4]	OBSOLETE
862548-2	8.00 [203.2]	OBSOLETE
862548-3	10.00 [254.0]	OBSOLETE
862548-4	12.00 [304.8]	
862548-5	15.00 [381.0]	
862548-6	18.00 [457.2]	OBSOLETE
862548-7	21.00 [533.4]	OBSOLETE
862548-8	24.00 [609.6]	OBSOLETE
862548-9	18.50 [469.9]	OBSOLETE
1-862548-0	40.00 [1016.0]	OBSOLETE
1-862548-1	80.00 [2032.0]	OBSOLETE
1-862548-2	5.00 [127.0]	OBSOLETE
1-862548-3	72.00 [1828.8]	OBSOLETE
1-862548-4	48.00 [1219.2]	OBSOLETE
1-862548-5	30.00 [762.0]	OBSOLETE
1-862548-6	36.00 [914.4]	OBSOLETE
1-862548-7	20.00 [508.0]	OBSOLETE
1-862548-8	61.00 [1549.4]	OBSOLETE
1-862548-9	17.00 [431.8]	
2-862548-0	180.00 [4572.0]	
2-862548-1	19.00 [482.6]	
2-862548-2	360.00 [9144.0]	OBSOLETE
2-862548-3	26.00 [660.4]	OBSOLETE
2-862548-4	96.00 [2438.4]	OBSOLETE



- △ TOLERANCE OF LEAD LENGTH:
 UP TO 24 INCHES [609.6] = ±.12 [±3.0]
 24 INCHES [609.6] & UP = ±1%
- MARKED PER MIL-STD-130.
 - TO MATE WITH AMP LGH-1/2L RECEPTACLE WITH .89 [22.61] BARREL DEPTH.
 - OPERATING VOLTAGE: 15 KVDC AT 0 TO 70,000 FEET, -55°C TO 125°C.

DO NOT SCALE PRINT. UNLESS SPECIFIED DIMENSIONS IN INCHES [mm]	DR 2-14-90 C.C. THOMAS	NAME AMP INCORPORATED Harrisburg, Pa. 17105
TOLERANCES ON 1 2 PLC DEC ±.02 [0.51] 3 PLC DEC ±	CHK P. McAlle 8/14/91	LEAD ASS'Y, POS STOP, DBL. END, LGH-1/2L
ANGLES	APPD J. McAlle 8/14/91	SIZE C CAGE CODE 00779 DRAWING NO 862548
MATERIAL	PRODUCT SPEC	SCALE 2:1
SEE CALLOUTS	APPLICATION SPEC	SHEET 1 OF 1
FINISH	WEIGHT	

AMP 1471-S REV 6-89

CUSTOMER DRAWING

862548