



Chipsmall Limited consists of a professional team with an average of over 10 year of expertise in the distribution of electronic components. Based in Hongkong, we have already established firm and mutual-benefit business relationships with customers from,Europe,America and south Asia,supplying obsolete and hard-to-find components to meet their specific needs.

With the principle of “Quality Parts,Customers Priority,Honest Operation,and Considerate Service”,our business mainly focus on the distribution of electronic components. Line cards we deal with include Microchip,ALPS,ROHM,Xilinx,Pulse,ON,Everlight and Freescale. Main products comprise IC,Modules,Potentiometer,IC Socket,Relay,Connector.Our parts cover such applications as commercial,industrial, and automotives areas.

We are looking forward to setting up business relationship with you and hope to provide you with the best service and solution. Let us make a better world for our industry!



## Contact us

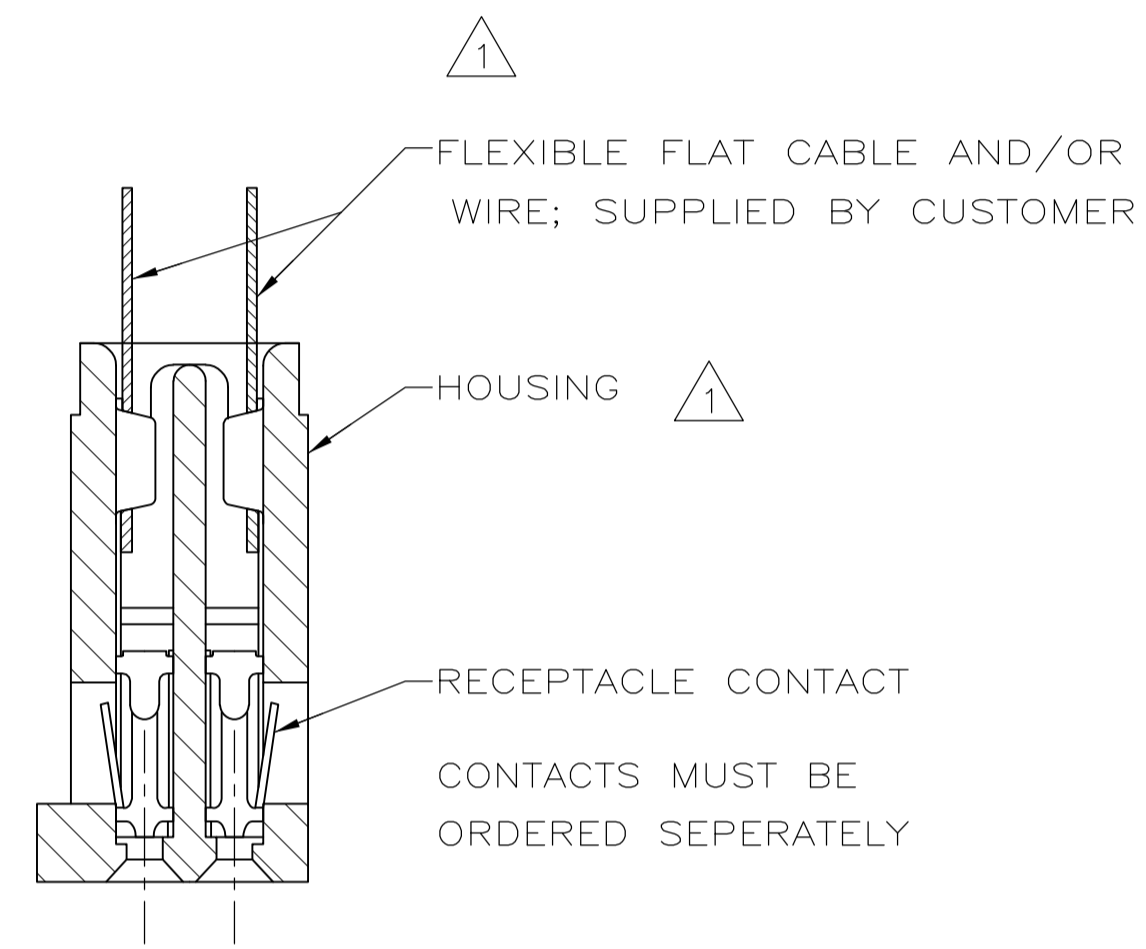
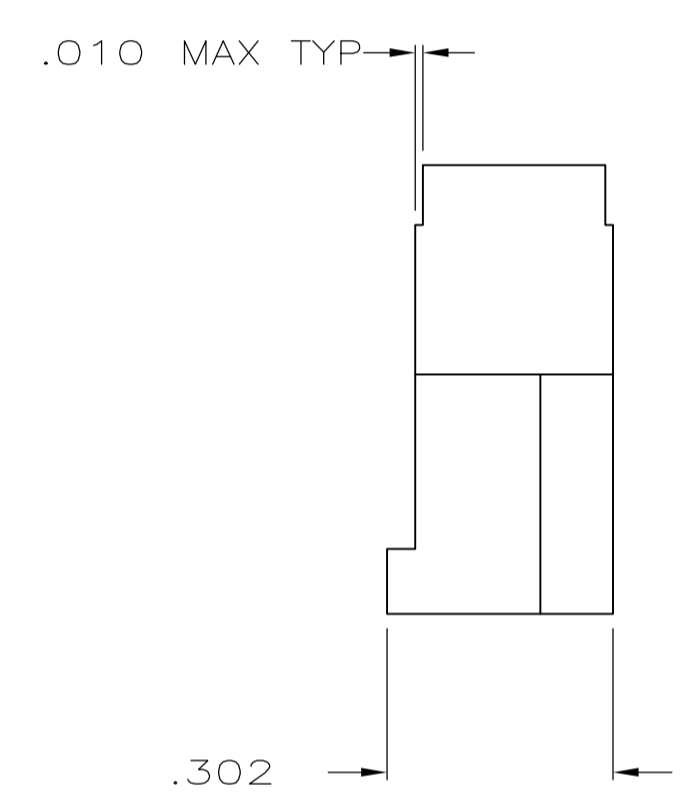
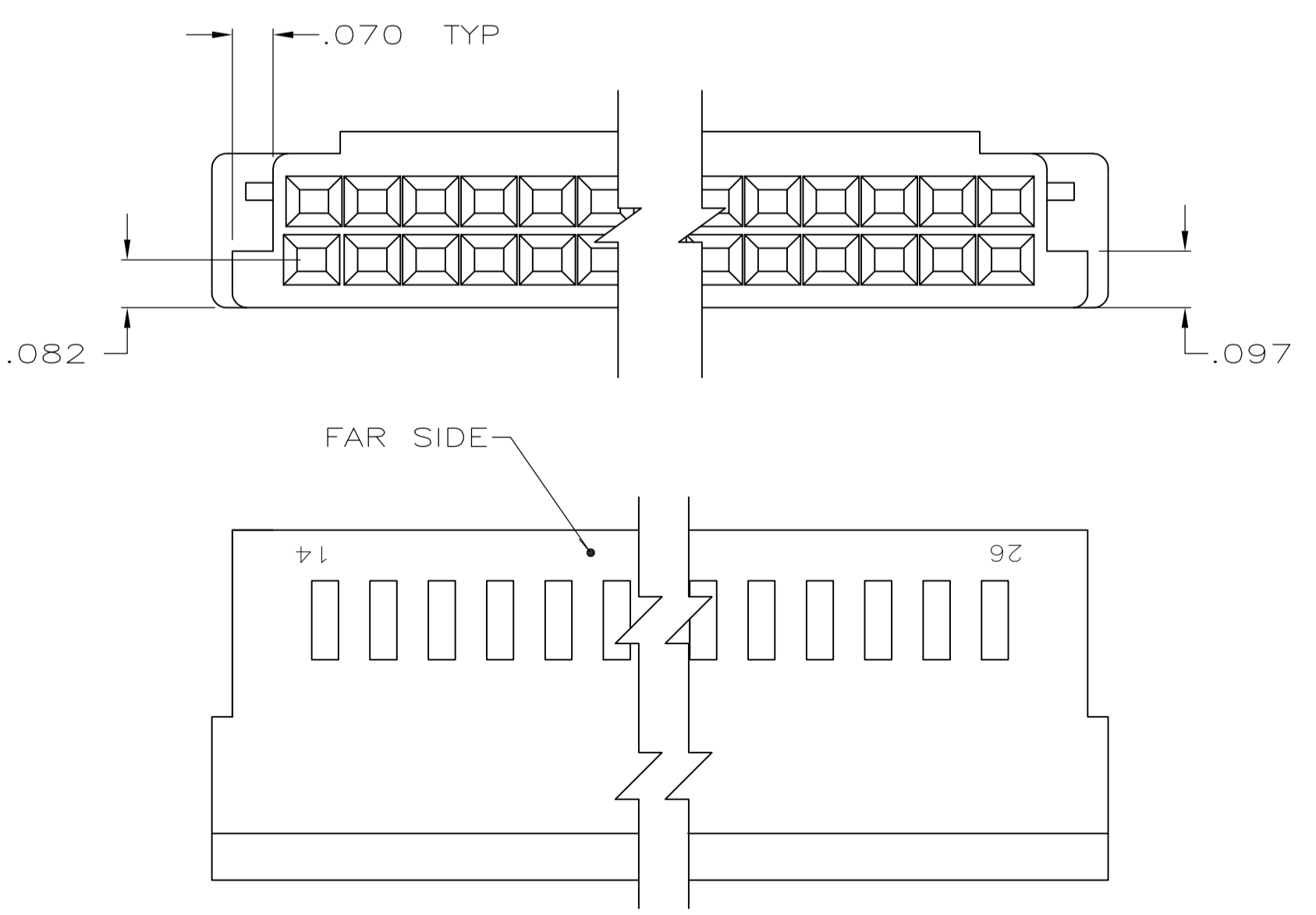
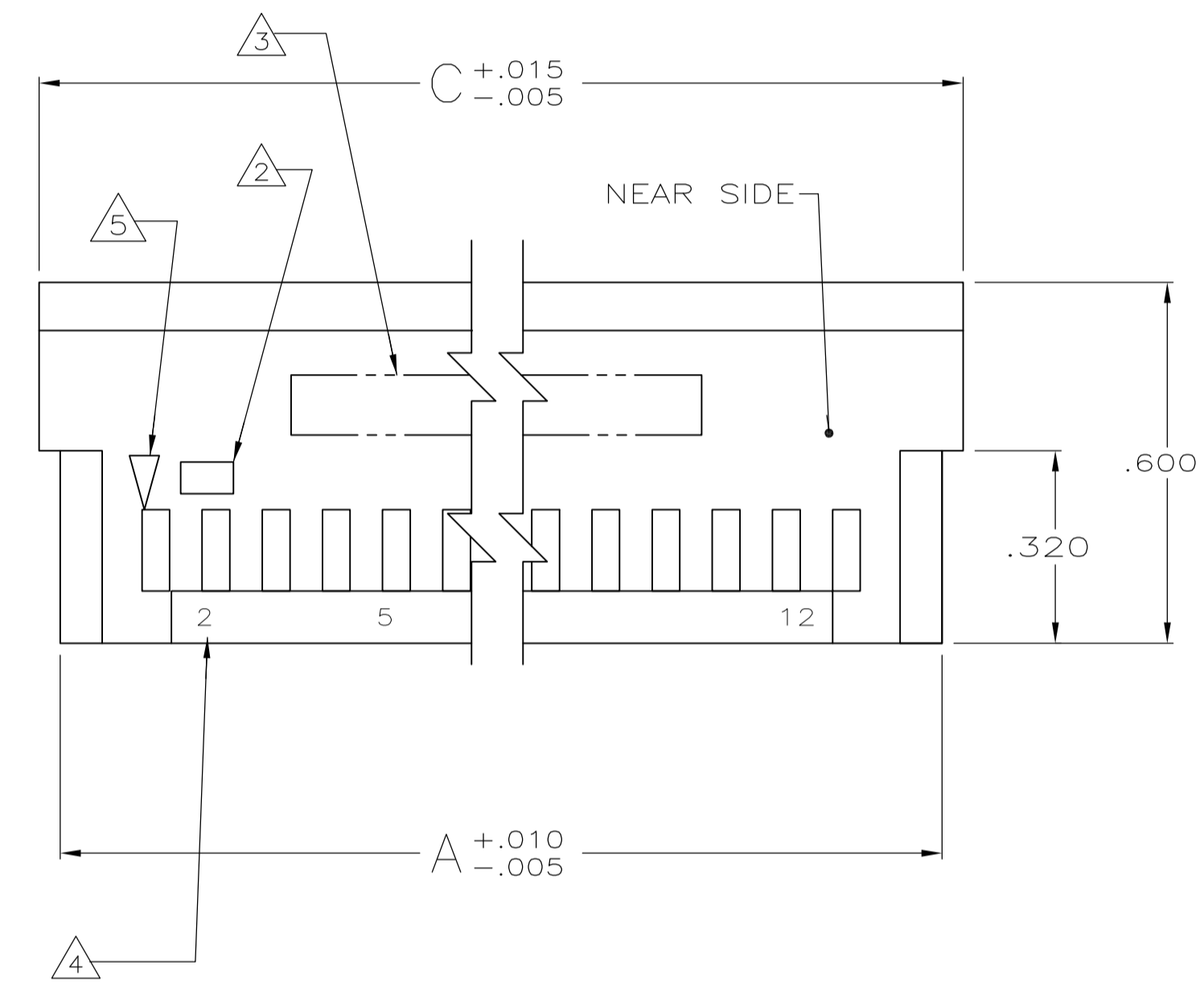
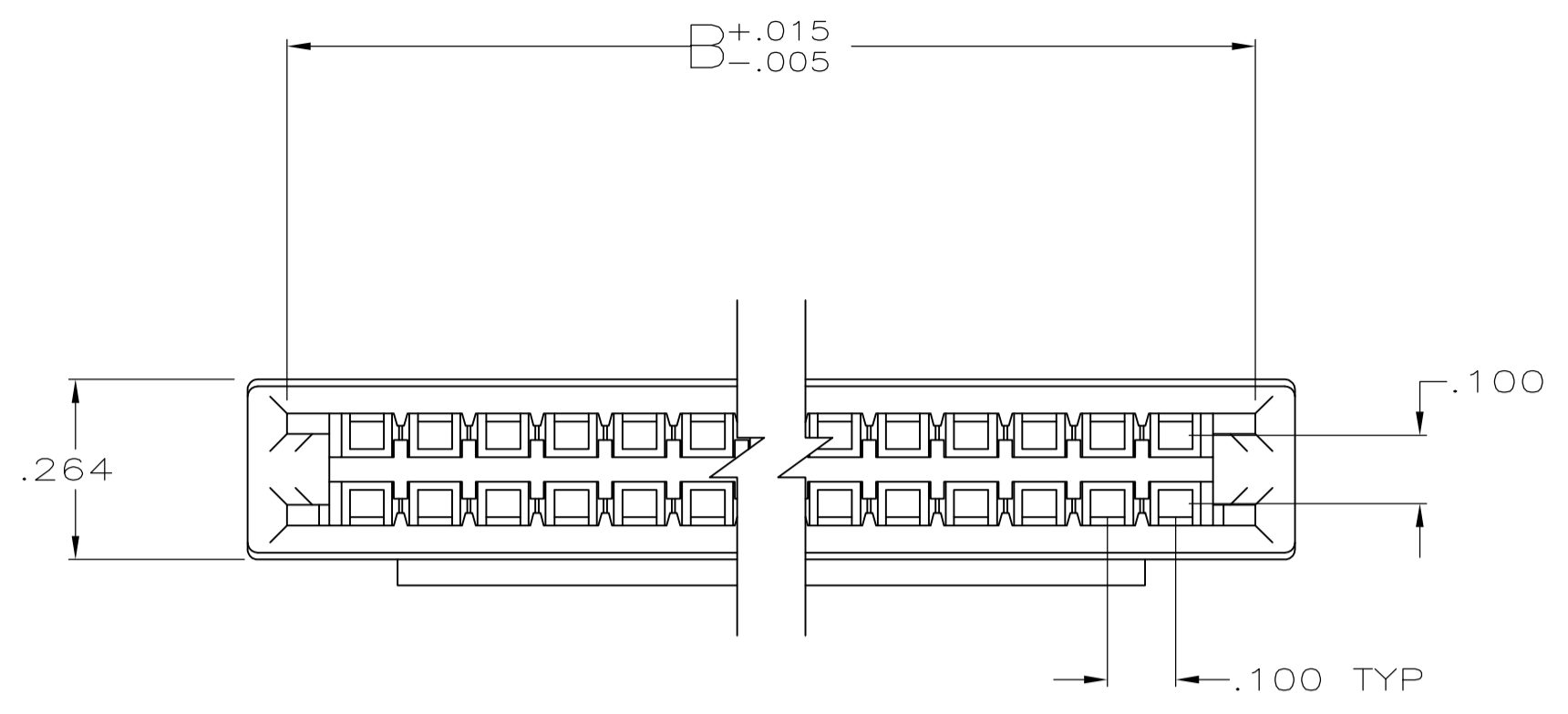
Tel: +86-755-8981 8866 Fax: +86-755-8427 6832

Email & Skype: info@chipsmall.com Web: www.chipsmall.com

Address: A1208, Overseas Decoration Building, #122 Zhenhua RD., Futian, Shenzhen, China



LOC	DIST	P	F	REVISIONS				
				ZONE	LTR	DESCRIPTION	DATE	APPD
	AR	39		J		REV&REDRAWN ECN 2275		
				K		REACTIVATE 3-1 PER ECN BD3808	4-3-90	GDM
				L		REV PER ECN BD4149	8-15-90	
				M		REV PER EC BD6679	03/04/93	GDM
				N		OBsolete -38 PER EC 0020-0943-93	11/18/93	DK
				P		SUPSD -4,-6,-8,-16,-18,-24,	04/24/95	DK
						-26,-28,-30,-32,-34,-36		
						PER EC 0020-0700-94		
				R		OBS -2,-10,-14 PER EC 0020-0680-94	04/24/95	DK
				RI		REVISED PER ECO-09-020774	21AUG09	AEG



CRIMPED CONTACTS INSERTED FOR REFERENCE ONLY

- ① HOUSING WILL ACCOMMODATE FLEXIBLE FLAT CABLE .050 OR .062 WIDE CONDUCTORS ON .100 CENTERS AND/OR #22-32 AWG WIRE WITH INSULATION RANGE OF .025 TO .056
- ② AMP TRADEMARK MOLDED IN THIS AREA
- ③ PART NO. AND DATE CODE INK STAMPED, WHITE.
- ④ CONTACT POSITION NOS. INK STAMPED, WHITE, BOTH SIDES (SEE TABLE)
- ⑤ INDICATES POSITION 1
- ⑥ PART NO. SUPERSEDED BY AS MOLDED PART NO.
- ⑦ OBSOLETE PART NO.

⑧ PART NUMBER	SUPERSEDED BY
86673-4	88179-6
86673-6	88179-5
86673-8	2-88179-2
1-86673-6	2-88179-4
1-86673-8	1-88179-4
2-86673-4	3-88179-0
2-86673-6	2-88179-0
2-86673-8	1-88179-2
3-86673-0	3-88179-2
3-86673-2	88179-4
3-86673-4	3-88179-4
3-86673-6	3-88179-6

⑨ OBSOLETE PARTS: OBSOLETE CIS STREAMLINING PER D.RENAUD/D.SINISI

Part No.	2,5,10	12,15,22	1.350	1.234	1.280	22	Part No.
3-86673-7	2,5,10	12,15,22	1.350	1.234	1.280	22	3-86673-8
3-86673-5	2,5,10,16	18,25,30,34	1.950	1.834	1.880	34	3-86673-6
3-86673-3	2,5	7,12	.850	.734	.780	12	3-86673-4
3-86673-1	2,5,10,15,20,25,29	31,35,40,45,50,55,60	3.250	3.134	3.180	60	3-86673-2
2-86673-9	2		.550	.434	.480	6	3-86673-0
2-86673-7	2,5,10,15,20,24	26,30,35,40,45,50	2.750	2.634	2.680	50	2-86673-8
2-86673-5	2,5,10,17	19,25,30,36	2.050	1.934	1.980	36	2-86673-6
2-86673-3	2,4	6,10	.750	.634	.680	10	2-86673-4
2-86673-1	2,5,10,13	15,20,25,28	1.650	1.534	1.580	28	2-86673-2
1-86673-9	2,5,12	14,20,26	1.550	1.434	1.480	26	2-86673-0
1-86673-7	2,5,11	13,20,24	1.450	1.334	1.380	24	1-86673-8
1-86673-5	2,5,10,15,21	23,30,35,40,44	2.450	2.334	2.380	44	1-86673-6
1-86673-3	2,5,10,15,20,25,28	30,35,40,45,50,55,58	3.150	3.034	3.080	58	1-86673-4
1-86673-1	2,5,8	10,15,18	1.150	1.034	1.080	18	1-86673-2
86673-9	2,5,10,15,20,25,32	34,40,45,50,55,60,66	3.550	3.434	3.480	66	1-86673-0
86673-7	2,5,10,15,19	21,25,30,35,40	2.250	2.134	2.180	40	86673-8
86673-5	2,5,9	11,15,20	1.250	1.134	1.180	20	86673-6
86673-3	2,5,10,15,18	20,25,30,35,38	2.150	2.034	2.080	38	86673-4
86673-1	2,5,10,15,20,25,30,34	36,40,45,50,55,60,65,70	3.750	3.634	3.680	70	86673-2

INK STAMPED PART NO.	CAVITY POSN NO. STAMPED		C	B	A	NO OF POSN	AS MOLDED PART NO.
	NEAR SIDE	FAR SIDE					

DO NOT SCALE PRINT. UNLESS SPECIFIED DIMENSIONS IN INCHES TOLERANCES - ON : 2 PLC DEC ± .005 3 PLC DEC ± .005 ANGLES ± -	DR 2/16/89 J. GALLUCCI CHK 3-3-89 D.ROCKER APPD 3-3-89 G.D.MILLER APPD 3-3-89 W.PARKER	AMP INCORPORATED Harrisburg, Pa. 17105 NAME HOUSING, RCPT, DBL ROW, .100 , FFC
MATERIAL NYLON, GLASS FILLED COLOR: BLACK	PRODUCT SPEC -	
FINISH -	APPLICATION SPEC -	SIZE <b>D</b> 00779
WEIGHT -		DRAWING NO 86673
		SCALE 4:1
		SHEET 1 OF 1