



Chipsmall Limited consists of a professional team with an average of over 10 year of expertise in the distribution of electronic components. Based in Hongkong, we have already established firm and mutual-benefit business relationships with customers from,Europe,America and south Asia,supplying obsolete and hard-to-find components to meet their specific needs.

With the principle of “Quality Parts,Customers Priority,Honest Operation,and Considerate Service”,our business mainly focus on the distribution of electronic components. Line cards we deal with include Microchip,ALPS,ROHM,Xilinx,Pulse,ON,Everlight and Freescale. Main products comprise IC,Modules,Potentiometer,IC Socket,Relay,Connector.Our parts cover such applications as commercial,industrial, and automotives areas.

We are looking forward to setting up business relationship with you and hope to provide you with the best service and solution. Let us make a better world for our industry!



Contact us

Tel: +86-755-8981 8866 Fax: +86-755-8427 6832

Email & Skype: info@chipsmall.com Web: www.chipsmall.com

Address: A1208, Overseas Decoration Building, #122 Zhenhua RD., Futian, Shenzhen, China

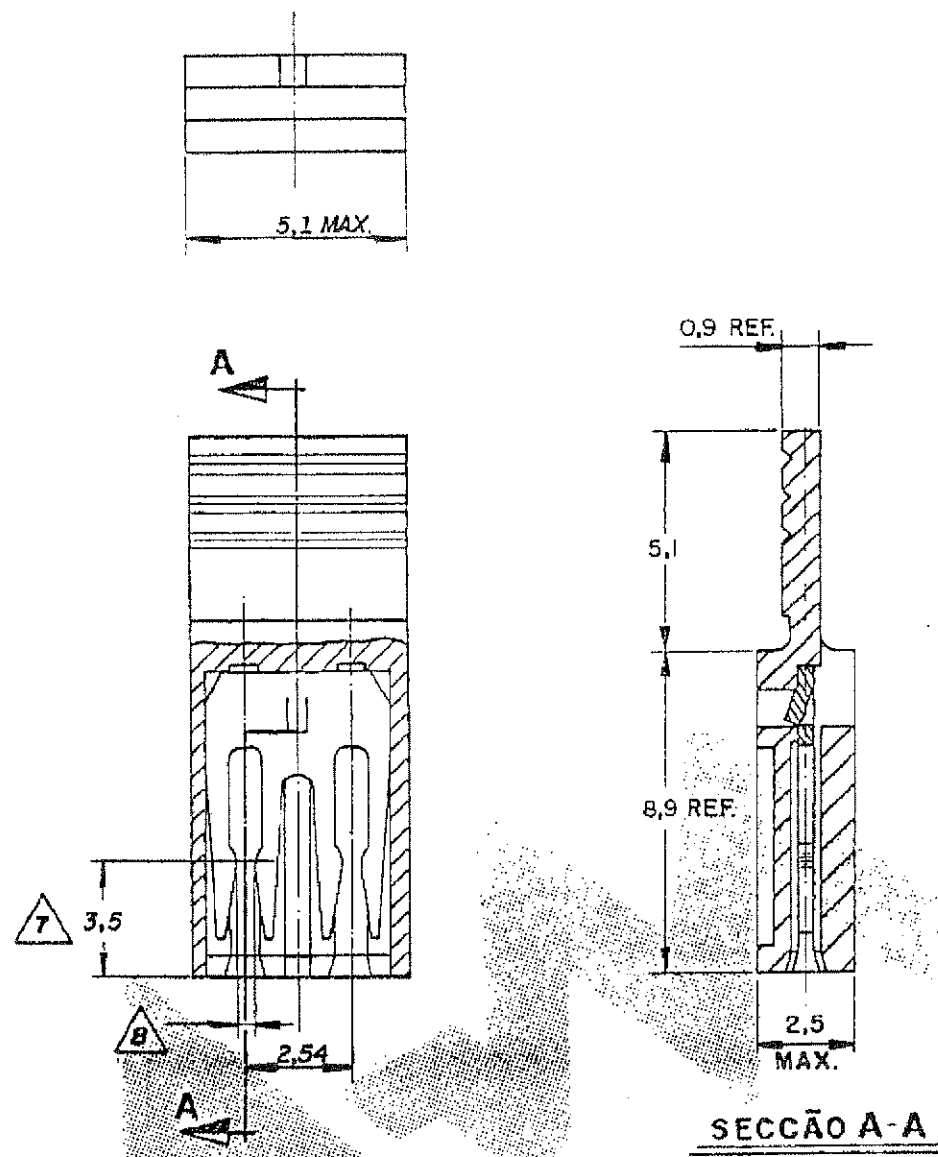


DO NOT SCALE
DIMENSIONS IN

METRIC



C 880584



- NOTAS:
- 1 MATERIAL: HOUSING: TERMOPLASTICO S/ FIBRA DE VIDRO V-0 COR: PRETO
CONTACTO: BRONZE FOSFOROSO
 - 2 MATERIAL: HOUSING: THERMOPLASTIC WITHOUT GLASS FIBER V-0 COLOR: BLACK
CONTACT: PHOSPHOROUS BRONZE
 - 3 MATERIAL: HOUSING: TERMOPLASTICO C/ FIBRA DE VIDRO HB COR: NATURAL
CONTACTO: BRONZE FOSFOROSO
 - 4 MATERIAL: HOUSING: THERMOPLASTIC WITH GLASS FIBER HB COLOR: NATURAL
CONTACT: PHOSPHOROUS BRONZE
 - 3 0,38 µm. MIN. OURO NA AREA DE CONTATO, SOBRE BANHO 0,76 µm NIQUEL
0,38 µm. MIN. GOLD ON CONTACT AREA, 0,76 µm NIQUEL UNDERPLATING
 - 4 0,76 µm. MIN. OURO NA AREA DE CONTATO, SOBRE BANHO 0,76 µm NIQUEL
0,76 µm. MIN. GOLD ON CONTACT AREA, 0,76 µm NIQUEL UNDERPLATING
 - 5 1,27 µm. MIN. OURO NA AREA DE CONTATO, SOBRE BANHO 0,76 µm NIQUEL
1,27 µm. MIN. GOLD ON CONTACT AREA, 0,76 µm NIQUEL UNDERPLATING
 - 6 ESTANHO SOBRE NIQUEL
TIN UNDER NICKEL
 - 7 PONTO DE CONTATO E/ MEDIÇÃO DA CAMADA DE OURO
CONTACT POINT FOR GOLD PLATING MEASUREMENT
 - 8 ACEITA PINO QUADRADO 0,64 x 0,64 OU REDONDO Ø 0,64
ALLOW SQUARE PIN 0,64 x 0,64 OR ROUND Ø 0,64
 - 9 MATERIAL: HOUSING: TERMOPLASTICO C/ FIBRA DE VIDRO COR VERMELHO, V-2
CONTACTO: BRONZE FOSFOROSO
 - MATERIAL: HOUSING: THERMOPLASTIC WITH GLASS FIBER COLOR RED; V-2
CONTACT: PHOSPHOROUS BRONZE

		3		10	L	2 - 880584	- 1
11	OBSOLETE	6		9			9
11	OBSOLETE	6					8
		5					- 7
11	OBSOLETE	4					6
		3		2			- 5
		6					- 4
11	OBSOLETE	5					3
		4					- 2
		3		1	K7	880584	- 1

OTHER TREATMENT		FINISH		MATERIAL		PART REV.		PART NUMBER	
CUSTOMER DWG for REFERENCE ONLY				TOLERANCES UNLESS OTHERWISE STATED DEC. ± 0,3 ANGLES ± 1°		INS. DIA. RANGE //		WIRE RANGE //	
DR. <i>Paulo 01/01/04</i>		CHK. <i>H. JUNHO 18/04</i>		DESCRIPTION		AMP SHUNT CONNECTOR ASS'Y			
L4	REV. ECO 11-023509	HC	WLS	02DEC11	DE.	A3		880584	SHEET 1 OF 2
L3	REVISED PER ECO-11-005139	RK	HMR	28MAR11	APP. <i>[Signature]</i>	C		880584	
153	REVISION RECORD	DR	CHK	DATE	APP				

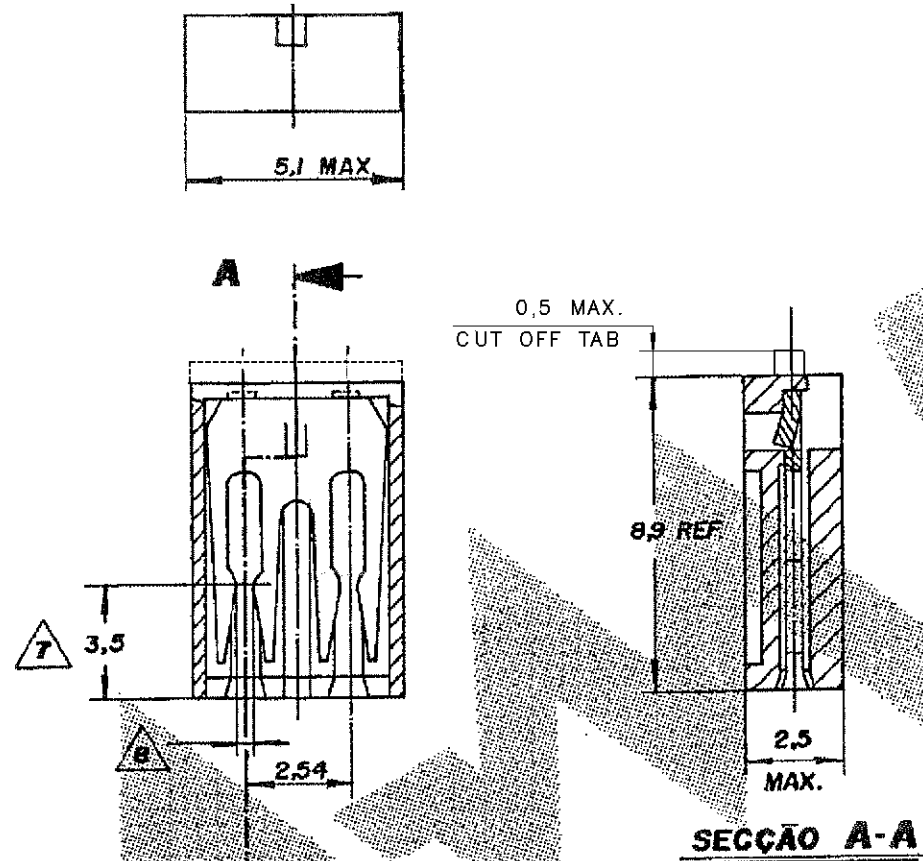
C 880584

DO NOT SCALE
DIMENSIONS IN mm

METRIC



- 10 MATERIAL: HOUSING: TERMOPLASTICO C/ FIBRA DE VIDRO V-2 COR: VERDE
CONTATO: BROZE FOSFOROSO
- MATERIAL: HOUSING: THERMOPLASTIC WITH GLASS FIBER V-2 COLOR: GREEN
CONTACT: PHOSPHOROUS BRONZE
- 11 OBSOLETE PARTS: OBSOLETE CIS STREAMLINING PER D.RENAUD/D.SINISI



11 OBSOLETE	6			1	8
	5			1	7
11 OBSOLETE	4			1	6
	3		2	1	5
	6			1	4
	5			1	3
	4			1	2
	3		1	K1	1

OTHER TREATMENT	FINISH	MATERIAL	PART REV.	PART NUMBER
CUSTOMER DWG for REFERENCE ONLY				
TOLERANCES UNLESS OTHERWISE STATED DEC. ± 0,5 ANGLES ± 1°		INS. DIA. RANGE	WIRE RANGE	SCALE
DR. <i>Isidor Gallo</i> 09-MAR-87 CHK. <i>N. Silva</i> 09-MAR-87 DE. <i>[Signature]</i> 09-MAR-87		TE TE Connectivity		
		DESCRIPTION AMP SHUNT CONNECTOR ASS'Y		
L4	REVISION	RECORD	DR	CHK
DATE		APP.	DWG NO	SHEET
		<i>[Signature]</i>	A3 C 880584	2 of 2